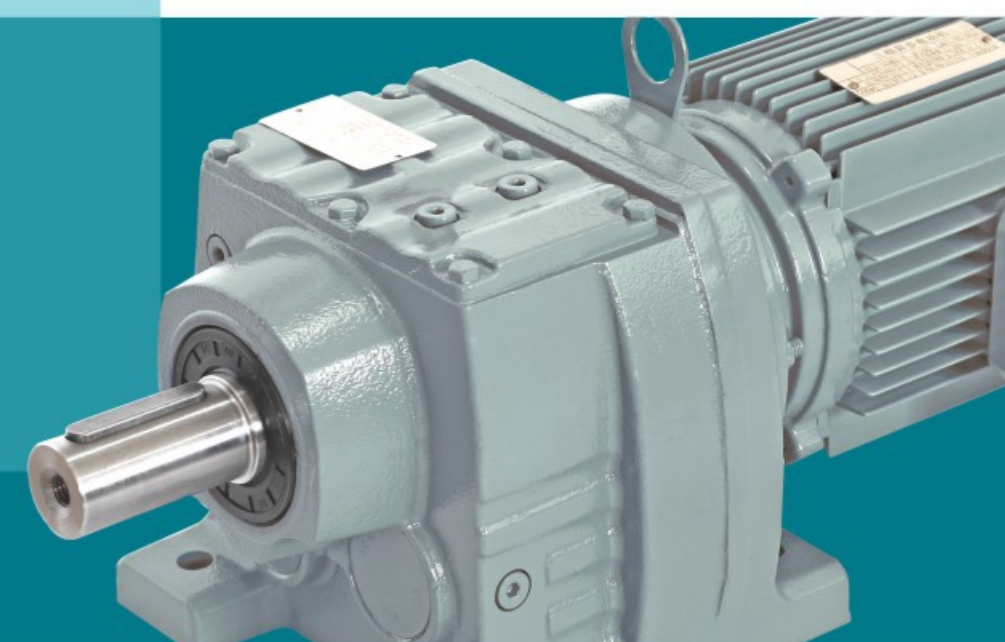




一鼎华微传动  
YIDING HUA MICRO TRANSMISSION



硬齿面齿轮减速机制造商  
Manufacturer Of Hardened Face Gear Reducers



一鼎华微传动

YIDING HUA MICRO TRANSMISSION

地址：浙江省杭州市钱塘新区河庄街道建设村工业区  
电话：+86-571-82917308  
传真：+86-571-82917318  
邮编：311245

ADD: Construction village industrial zone, Hezhuang Street,  
Qiantang new district, Hangzhou City, Zhejiang Province  
Tel:+86-571-82917308  
Fax:+86-571-82917318

中国·杭州

## 产品图片 PRODUCT PICTURES

### K系列斜齿轮—伞齿轮减速机



#### 一、性能特点Characteristics:

1. 一鼎华微传动是在模块组合体系的基础上设计的，可以方便地配用各种型式的电动机或采用其它动力输入。同种机型可配用多种功率的电动机。容易实现各种机型之间的组合联接。
  2. 传动效率高，单机型减速机效率高达96%。
  3. 传动比划分细，范围广。组合机型可以形成较大的传动比，输出转速低。
  4. 安装形式多样，可任意位置卧式或法兰安装。
1. YIDING Hua Micro transmission are based on the building block design,so it's convenient for them to fit all types of motors or to connect with other power input,The same tyhpe of reducers can fit motors with different power,so that it's possible for different types of machines to combine or connect.
  2. High transmission efficiency.A single machine can reach a transmission efficiency as much as 96%.
  3. Precise division of transmission ratio with a wide range.The combination of machines can produce a larger transmission ratio at a low output rotational speed.
  4. Various ways of installation.Horizontal installation at any position or flanged installation.

#### 二、工作场所条件 Working Environment:

1. 环境温度-40℃ ~ 50℃。(0℃以下启动时润滑油要加热到0℃以上。)
  2. 海拔不超过1000米。
  3. 输入转速不大于1800rpm,齿轮最高圆周速度不超过22m/s。
  4. 可用于正反运转。
  5. 无行业限制。
  6. 其他条件下使用请与我公司技术部联系。
1. Working temperature:-40℃ ~ 50℃ (The lubrication should be heated until above 0℃ if the machine works Below 0℃.)
  2. The working place should be lower than 1,000 meters above sea level.
  3. The input rotational speed should not exceed 1,800r/m.The circumferential speed of the gear should not exceed 22m/s.
  4. Suitable for normal-reverse rotation.
  5. Without industry limitation.
  6. Please consult our technical supporting department for other circumstances.

### 三、选型指南 Instructions for Selection:

减速机通常是按每小时起停次数小于10, 常温20℃下, 按恒定转矩设计的。在按选型参数表选择机型号前, 须先了解工作机载荷和工作情况, 在运行功率确定后, 按下面方法选择参数表中的使用系数 $f_B$ 。

R、S、K、F四大系列选型:

1. 确定工作机运行功率P(KW)

2. 根据工作机的载荷特征和每天工作小时数确定最低工况系数 $f_1$ (表1)

3. 根据每小时启动次数确定启动系数 $f_2$ (表2)

4. 计算总工况系数 $f_A$ 。(S系列须考虑环境温度系数 $f_3$ 表3)

$$f_A = f_1 \times f_2 \quad (f_A = f_1 \times f_2 \times f_3)$$

5. 根据减速机运行功率和输出转速由选型表选定减速机规格, 同时必须满足 $f_A \leq$ 选型参数表提供的使用系数 $f_B$ 。

注: 如用户对减速机可靠性要求较高, 须考虑必要的安全系数或来电咨询

输出端的径向载荷及轴向载荷, 请与我公司技术部联系

减速机的使用与维护请参阅随机附带《减速机使用说明书》

Speed reducer is designed by referring to invariable torque on the condition of normal temperature below 20℃, with on-off frequency less than 10 per hour. Before selecting machine model according to model selection parameter table, it is required to know the load and operating conditions of working machine. After confirming operating power, select utilization coefficient  $f_B$  in parameter table according to the following methods.

Modeling of R、S、K、F four large series

1. To confirm operating power P(KW) of working machine;

2. To confirm the lowest operating mode coefficient  $f_1$  (Table 1) according to load features of working machine and daily operating hours;

3. To confirm startup coefficient  $f_2$  (Table 2) according to the number of starts per hour;

4. To calculate total operating mode coefficient  $f_A$ ; (Ambient temperature coefficient  $f_3$  (Table 3) must be considered for S series.)

$$f_A = f_1 \times f_2 \quad (f_A = f_1 \times f_2 \times f_3)$$

5. To select the specifications of speed reducer from model selection table according to its operating power and output rotating speed, meanwhile it is necessary to ensure that  $f_A \leq$  utilization coefficient  $f_B$  offered in model selection parameter table.

Notes: If users have higher reliability requirements for speed reducer, certain safety coefficient must be multiplied or you can call us for further consultation;

Please contact the technical department of our company for any information on radial load and axial load of output terminal;

Please refer to the 《Operation instructions of speed reducer》 attached with the machine.

| 工作机          |              | 日带载运行时间(小时) |         |      | 工作机           |                 | 日带载运行时间(小时)    |         |      |     |
|--------------|--------------|-------------|---------|------|---------------|-----------------|----------------|---------|------|-----|
|              |              | ≤0.5        | >0.5~10 | >10  |               |                 | ≤0.5           | >0.5~10 | >10  |     |
| 污水处理         | 浓缩器          | -           | -       | 1.2  | 起重机械          | 回转机构*           | 1              | 1.4     | 1.8  |     |
|              | 压滤波器         | 1           | 1.3     | 1.5  |               | 俯仰机构            | 1              | 1.4     | 1.8  |     |
|              | 絮凝器          | 0.8         | 1       | 1.3  |               | 行走机构            | 1.5            | 1.75    | 2    |     |
|              | 曝气机          | -           | 1.8     | 2    |               | 提升机构            | 1              | 1.1     | 1.4  |     |
|              | 搜集设备         | 1           | 1.2     | 1.3  |               | 转臂式起重机          | 1              | 1.2     | 1.6  |     |
|              | 纵向, 回转组合搜集装置 | 1           | 1.3     | 1.5  |               | 化学工业            | 挤压机            | -       | -    | 1.6 |
|              | 预缩器          | -           | 1.1     | 1.3  | 调浆机           |                 | -              | 1.8     | 1.8  |     |
|              | 螺杆泵          | -           | 1.3     | 1.5  | 橡胶研光机         |                 | -              | 1.5     | 1.5  |     |
|              | 水轮机          | -           | -       | 2    | 冷却圆筒          |                 | -              | 1.3     | 1.4  |     |
|              | 离心机          | 1           | 1.2     | 1.3  | 混料机, 用于均匀介质   |                 | 1              | 1.3     | 1.4  |     |
|              | 1个活塞容积式泵     | 1.3         | 1.4     | 1.8  | 混料机, 用于非均匀介质  |                 | 1.4            | 1.6     | 1.7  |     |
|              | >1个活塞容积式泵    | 1.2         | 1.4     | 1.5  | 搅拌机, 用于密度均匀介质 |                 | 1              | 1.3     | 1.5  |     |
|              | 挖泥机          | 斗式运输机       | /       | 1.6  | 1.6           |                 | 搅拌机, 用于非密度均匀介质 | 1.2     | 1.4  | 1.6 |
|              |              | 倾卸装置        | /       | 1.3  | 1.5           |                 | 烘炉             | 1       | 1.3  | 1.5 |
| 行走机构*        |              | 1.2         | 1.6     | 1.8  | 离心机           |                 | 1              | 1.2     | 1.3  |     |
| 斗轮式挖掘机: 用于捡拾 |              | /           | 1.7     | 1.7  | 风机类           | 冷却塔风扇           | -              | -       | 2    |     |
| 斗轮式挖掘机: 用于粗料 |              | /           | 2.2     | 2.2  |               | 风机(轴流和离心式)      | -              | 1.4     | 1.5  |     |
| 切碎机          |              | /           | 2.2     | 2.2  | 蔗糖生产          | 甘蔗切碎机           | -              | -       | 1.7  |     |
| 钢铁工业         | 拉线机          | 1.25        | 1.5     | 1.75 |               | 甘蔗碾磨机           | -              | -       | 1.7  |     |
|              | 绕线机          | 1           | 1.25    | 1.5  | 甜菜糖生产         | 甜菜绞碎机           | -              | -       | 1.2  |     |
|              | 集中驱动辊道(无反转)  | 1.25        | 1.5     | 1.75 |               | 榨取机, 机械制冷机, 蒸煮机 | -              | -       | 1.4  |     |
|              | 单驱动辊道(无反转)   | 1.5         | 1.75    | 2    |               | 甜菜清洗机           | -              | -       | 1.5  |     |
|              | 集中驱动辊道(有反转)  | 1.75        | 2.25    | 2.5  |               | 甜菜切碎机           | -              | -       | 1.5  |     |
|              | 单驱动辊道(有反转)   | 2           | 2.25    | 2.75 | 运货索道          | -               | 1.3            | 1.4     |      |     |
| 纺织工业         | 织机           | 1.25        | 1.5     | 1.75 | 索道缆车          | 往反系统空中索道        | -              | 1.6     | 1.8  |     |
|              | 纺纱机          | 1           | 1.25    | 1.5  |               | T型杆升降机          | -              | 1.3     | 1.4  |     |
|              | 洗涤机          | 1           | 1.25    | 1.5  |               | 连续索道            | -              | 1.4     | 1.6  |     |
| 输送机械         | 斗式输送机        | -           | 1.2     | 1.5  | 水泥工业          | 混凝土搅拌机          | -              | 1.5     | 1.5  |     |
|              | 绞车           | 1.4         | 1.6     | 1.6  |               | 破碎机*            | -              | 1.2     | 1.4  |     |
|              | 卷扬机          | -           | 1.5     | 1.8  |               | 回转窑             | -              | -       | 2    |     |
|              | 皮带输送机≤150KW  | 1           | 1.2     | 1.3  |               | 管式磨机            | -              | -       | 2    |     |
|              | 皮带输送机>151KW  | 1.1         | 1.3     | 1.4  |               | 选粉机             | -              | 1.6     | 1.6  |     |
|              | 货用电梯*        | -           | 1.2     | 1.5  |               | 辊压机             | -              | -       | 2    |     |
|              | 客用电梯*        | -           | 1.5     | 1.8  | 造纸机械          | 各种类型**          | -              | 1.8     | 2    |     |
|              | 刮板输送机        | -           | 1.2     | 1.5  |               | 碎浆机驱动装置         | -              | 2       | 2.25 |     |
|              | 自动扶梯         | -           | 1.2     | 1.4  | 压缩机           | 往复式压缩机          | -              | 1.8     | 1.9  |     |
|              | 轨道行走机构       | -           | 1.5     | -    |               | 离心式压缩机          | -              | 1.4     | 1.5  |     |

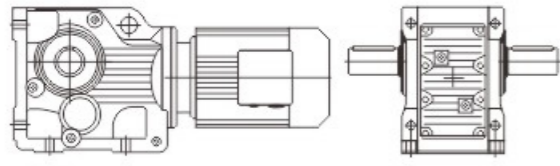
工作机额定功率P2的确定: \*) 按最大扭矩确定额定功率。\*\*) 检验热功率是绝对必要的。

| 启动次数/每小时 | ≤0.5h | 0.5-10h | >10h |
|----------|-------|---------|------|
| <10      | 1.00  | 1.00    | 1    |
| <100     | 1.15  | 1.25    | 1.4  |
| <500     | 1.25  | 1.4     | 1.7  |

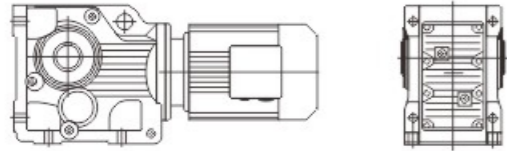
| 环境温度         | 10℃  | 20℃  | 30℃  | 40℃  | 50℃  |
|--------------|------|------|------|------|------|
| 环境温度系数 $f_3$ | 0.88 | 1.00 | 1.15 | 1.35 | 1.65 |



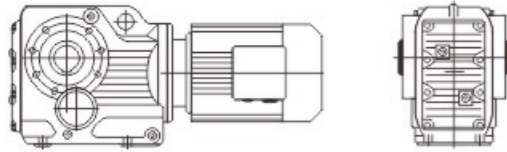
K系列减速机有以下设计方案:  
K series gear units are available in the following designs:



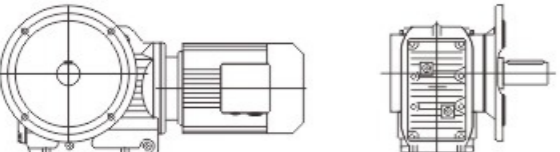
K..Y..  
底脚轴伸式安装螺旋锥齿轮减速机  
Foot-mounted helical-bevel gear units with solid shaft



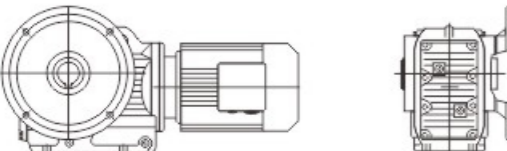
KAB..Y..  
底脚空心轴安装螺旋锥齿轮减速机  
Foot-mounted helical-bevel gear units with hollow shaft



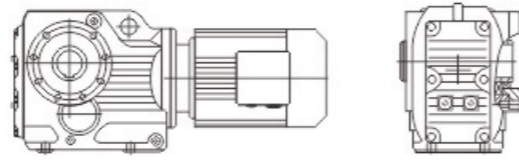
KA...Y..  
空心轴安装螺旋锥齿轮减速机  
Helical-bevel gear units with hollow shaft



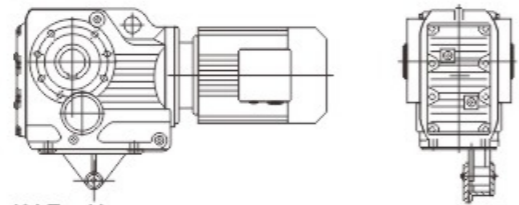
KF...Y..  
法兰轴伸式安装螺旋锥齿轮减速机  
Flange-mounted helical-bevel gear units with solid shaft



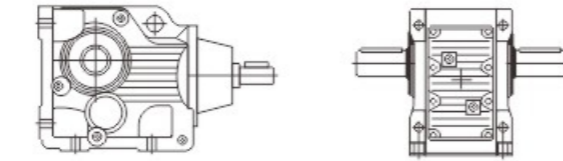
KAF...Y..  
法兰空心轴安装螺旋锥齿轮减速机  
Flange-mounted helical-bevel gear units with hollow shaft



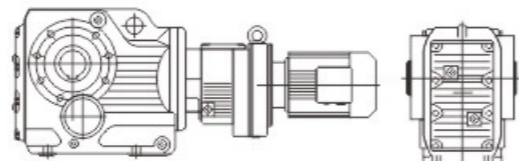
KAZ...Y..  
小法兰空心轴安装螺旋锥齿轮减速机  
Short-flange-mounted helical-bevel gear units with hollow shaft



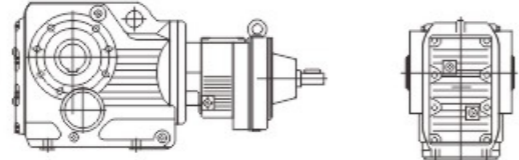
KAT...Y..  
带防转臂空心轴安装螺旋锥齿轮减速机  
Torque-arm-mounted helical-bevel gear units with hollow shaft



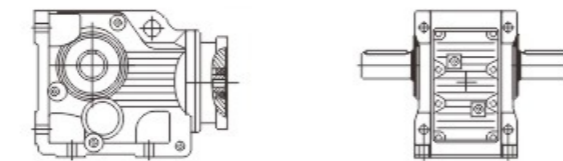
K(KF, KA, KAF, KAB, KAZ)S...  
轴输入的螺旋锥齿轮减速机  
Shaft input helical-bevel gear units



KA(K, KF, KAF, KAB, KAZ)...R...Y...  
组合式螺旋锥齿轮减速机  
Combinatorial helical-bevel gear units



KA(K, KF, KAF, KAB, KAZ)S...R...  
轴输入的组合式螺旋锥齿轮减速机  
Shaft input combinatorial helical-bevel gear units

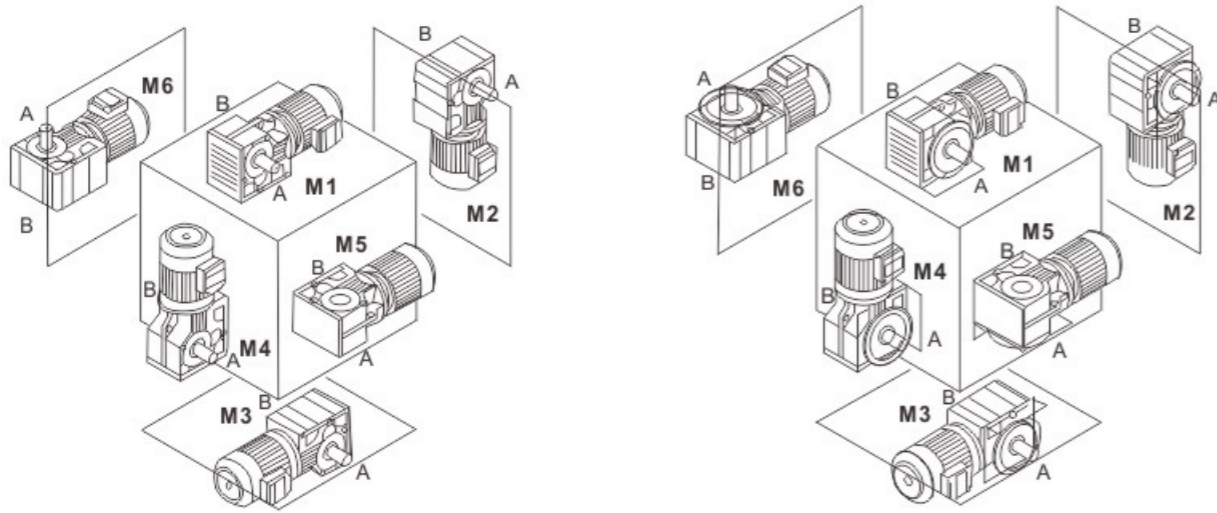


KA(K, KF, KAF, KAB, KAZ)...Y...  
电机用户自配或配特殊电机时需加联接法兰  
When equipping the user's motor or the special one, the flange is required to be connected

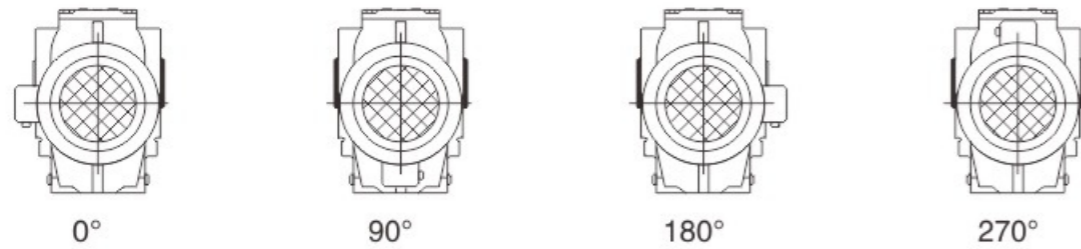
型号与标记:  
Type Designations:

|   |  |
|---|--|
| <p>减速机类型: K F 37-Y 0.55-4P-24.99-M1-180°-A-CW</p> <p>结构形式: K F 37-Y 0.55-4P-24.99-M1-180°-A-CW</p> <p>机座号: K F 37-Y 0.55-4P-24.99-M1-180°-A-CW</p> <p>电机代号: K F 37-Y 0.55-4P-24.99-M1-180°-A-CW</p> <p>电机功率、极数: K F 37-Y 0.55-4P-24.99-M1-180°-A-CW</p> <p>传动比: K F 37-Y 0.55-4P-24.99-M1-180°-A-CW</p> <p>安装形式: K F 37-Y 0.55-4P-24.99-M1-180°-A-CW</p> <p>电机接线盒位置: K F 37-Y 0.55-4P-24.99-M1-180°-A-CW</p> <p>输出轴、锁紧盘或法兰方向: K F 37-Y 0.55-4P-24.99-M1-180°-A-CW</p> <p>输出轴旋转方向: K F 37-Y 0.55-4P-24.99-M1-180°-A-CW</p> | <p>Gear units type: K F 37-Y 0.55-4P-24.99-M1-180°-A-CW</p> <p>Structure: K F 37-Y 0.55-4P-24.99-M1-180°-A-CW</p> <p>Size: K F 37-Y 0.55-4P-24.99-M1-180°-A-CW</p> <p>Motor code: K F 37-Y 0.55-4P-24.99-M1-180°-A-CW</p> <p>Motor power, pole: K F 37-Y 0.55-4P-24.99-M1-180°-A-CW</p> <p>Ratio: K F 37-Y 0.55-4P-24.99-M1-180°-A-CW</p> <p>Mounting position: K F 37-Y 0.55-4P-24.99-M1-180°-A-CW</p> <p>Position of the motor thermal box: K F 37-Y 0.55-4P-24.99-M1-180°-A-CW</p> <p>Position of output shaft, shrink disk or flange: K F 37-Y 0.55-4P-24.99-M1-180°-A-CW</p> <p>Rotate direction of output shaft: K F 37-Y 0.55-4P-24.99-M1-180°-A-CW</p> |
| <p>减速机类型:<br/>斜齿-螺旋锥齿轮减速机</p>   | <p>Gear units type:<br/>Helical-bevel gear units</p>   |
| <p>结构形式:<br/>普通轴伸式(省略)<br/>轴装式 A<br/>轴伸法兰式 F<br/>轴装法兰式 AF<br/>轴装小法兰式 AZ<br/>轴装底脚式 AB<br/>轴装带防转臂 AT<br/>普通轴伸式, 轴输入 S<br/>普通轴装式, 轴输入 AS<br/>轴伸法兰式, 轴输入 FS<br/>轴装法兰式, 轴输入 AFS</p>  | <p>Structure:<br/>Foot-mounted solid shaft output (-)<br/>Hollow shaft output A<br/>Flange-mounted solid shaft output F<br/>Flange-mounted hollow shaft output AF<br/>Short-flange-mounted hollow shaft output AZ<br/>Foot-mounted hollow shaft output AB<br/>Torque-arm-mounted hollow shaft output AT<br/>Foot-mounted solid shaft output, shaft input S<br/>Hollow shaft output, shaft input AS<br/>Flange-mounted solid shaft output, shaft input FS<br/>Flange-mounted hollow shaft output, shaft input AFS</p>   |
| <p>规格:<br/>(见选型参数表)</p>   | <p>Size:<br/>(see selection table)</p>   |
| <p>电机代号:<br/>普通(更新) Y(Y2)<br/>防爆 B<br/>直流 Z<br/>制动 YEJ<br/>多速 D<br/>变频 YVP<br/>电磁调速 YCT<br/>冶金起重 R<br/>变频制动 YVPJ<br/>辊道 G</p>   | <p>Motor code:<br/>Ordinary(renew) Y(Y2)<br/>Flame-proof B<br/>Direct current Z<br/>Brake YEJ<br/>Multi-speed D<br/>Variable frequency YVP<br/>Electromagnetism speed modulation YCT<br/>Hoisting in metallurgy R<br/>Variable frequency and brake YVPJ<br/>Roller tables G</p>  |
| <p>电机功率、极数:<br/>(见选型参数表)</p>  | <p>Motor power, pole:<br/>(see selection table)</p>  |
| <p>传动比:<br/>(见选型参数表)</p>  | <p>Ratio:<br/>(see selection table)</p>  |
| <p>安装形式:<br/>M1、M2、M3、M4、M5、M6、(见第7页)</p>   | <p>Mounting position:<br/>M1、M2、M3、M4、M5、M6、(see page 7)</p>   |
| <p>电机接线盒位置:<br/>0°、90°、180°、270°(见第7页)</p>  | <p>Position of the motor thermal box:<br/>0°、90°、180°、270°(see page 7)</p>   |
| <p>输出轴或法兰方向:<br/>从电机尾部看左边为 A<br/>从电机尾部看右边为 B (见安装形式)<br/>从电机尾部看左右边为 A+B</p>   | <p>Position of output shaft or flange:<br/>viewing on motor end:left side -A<br/>right side-B, both sides-A+B(see mounting position)</p>   |
| <p>输出轴旋转方向(面对输出轴方向看):<br/>顺时针方向 CW<br/>逆时针方向 CCW</p>  | <p>Rotate direction of output shaft (viewing on output shaft):<br/>Clockwise CW<br/>Counter clockwise CCW</p>  |

安装形式:  
Mounting position:



电机接线盒位置  
Position of the motor thermal box



输入功率及许用转矩  
Input power rating and permissible torque

| 规格<br>Size                       | 37                      | 47          | 57          | 67          | 77          | 87          | 97          | 107         | 127         | 157          | 167          | 187          |
|----------------------------------|-------------------------|-------------|-------------|-------------|-------------|-------------|-------------|-------------|-------------|--------------|--------------|--------------|
| 结构形式<br>Structure                | K KA KF KAF KAZ KAT KAB |             |             |             |             |             |             |             |             |              |              |              |
| 输入功率<br>Input power rating (kw)  | 0.18~3.0                | 0.18~3.0    | 0.18~5.5    | 0.18~5.5    | 0.37~11     | 0.75~22     | 1.1~30      | 3~45        | 7.5~90      | 11~160       | 11~200       | 18.5~200     |
| 传动比<br>Ratio                     | 5.36~106.38             | 5.81~131.87 | 6.57~145.14 | 7.14~144.79 | 7.24~192.18 | 7.19~197.37 | 8.95~176.05 | 8.74~141.46 | 8.68~146.07 | 12.65~150.41 | 17.28~163.91 | 17.27~180.78 |
| 许用转矩<br>Permissible torque (N.M) | 200                     | 400         | 600         | 820         | 1550        | 2700        | 4300        | 8000        | 13000       | 18000        | 32000        | 50000        |

减速机重量  
Gear unit weight

| 规格<br>Size       | 37 | 47 | 57 | 67 | 77 | 87 | 97  | 107 | 127 | 157 | 167  | 187  |
|------------------|----|----|----|----|----|----|-----|-----|-----|-----|------|------|
| 重量(kg)<br>Weight | 11 | 20 | 27 | 33 | 57 | 85 | 130 | 250 | 380 | 610 | 1015 | 1700 |

所注重量为平均值, 仅供参考  
The weights are mean values, only for reference.

润滑油量表  
Lubrication table

K...,KAB...:

| 规格<br>Size | 润滑油量 (升) Fill quantity in liters |      |      |      |      |      |
|------------|----------------------------------|------|------|------|------|------|
|            | M1                               | M2   | M3   | M4   | M5   | M6   |
| K..37      | 0.5                              | 1    | 1    | 1.3  | 1    | 1    |
| K..47      | 0.8                              | 1.3  | 1.5  | 2    | 1.6  | 1.6  |
| K..57      | 1.2                              | 2.3  | 2.5  | 3    | 2.6  | 2.4  |
| K..67      | 1.1                              | 2.4  | 2.6  | 3.4  | 2.6  | 2.6  |
| K..77      | 2.2                              | 4.1  | 4.4  | 5.9  | 4.2  | 4.4  |
| K..87      | 3.7                              | 8    | 8.7  | 10.9 | 7.8  | 8    |
| K..97      | 7                                | 14   | 15.7 | 20   | 15.7 | 15.5 |
| K..107     | 10                               | 21   | 25.5 | 33.5 | 24   | 24   |
| K..127     | 21                               | 41.5 | 44   | 54   | 40   | 41   |
| K..157     | 31                               | 62   | 65   | 90   | 58   | 62   |
| K..167     | 35                               | 100  | 100  | 125  | 85   | 85   |
| K..187     | 60                               | 170  | 170  | 205  | 130  | 130  |

KF...:

| 规格<br>Size | 润滑油量 (升) Fill quantity in liters |      |      |      |      |      |
|------------|----------------------------------|------|------|------|------|------|
|            | M1                               | M2   | M3   | M4   | M5   | M6   |
| KF37       | 0.5                              | 1.1  | 1.1  | 1.5  | 1    | 1    |
| KF47       | 0.8                              | 1.3  | 1.7  | 2.2  | 1.6  | 1.6  |
| KF57       | 1.3                              | 2.3  | 2.7  | 3    | 2.9  | 2.7  |
| KF67       | 1.1                              | 2.4  | 2.8  | 3.6  | 2.7  | 2.7  |
| KF77       | 2.1                              | 4.1  | 4.4  | 6    | 4.5  | 4.5  |
| KF87       | 3.7                              | 8.2  | 9    | 11.9 | 8.4  | 8.4  |
| KF97       | 7                                | 14.7 | 17.3 | 21.5 | 15.7 | 16.5 |
| KF107      | 10                               | 22   | 26   | 35   | 25   | 25   |
| KF127      | 21                               | 41.5 | 46   | 55   | 41   | 41   |
| KF157      | 31                               | 66   | 69   | 92   | 62   | 62   |

KA..., KAF..., KAZ...:

| 规格<br>Size | 润滑油量 (升) Fill quantity in liters |      |      |      |      |      |
|------------|----------------------------------|------|------|------|------|------|
|            | M1                               | M2   | M3   | M4   | M5   | M6   |
| K..37      | 0.5                              | 1    | 1    | 1.4  | 1    | 1    |
| K..47      | 0.8                              | 1.3  | 1.6  | 2.1  | 1.6  | 1.6  |
| K..57      | 1.3                              | 2.3  | 2.7  | 3    | 2.9  | 2.7  |
| K..67      | 1.1                              | 2.4  | 2.7  | 3.6  | 2.6  | 2.6  |
| K..77      | 2.1                              | 4.1  | 4.6  | 6    | 4.4  | 4.4  |
| K..87      | 3.7                              | 8.2  | 8.8  | 11.1 | 8    | 8    |
| K..97      | 7                                | 14.7 | 15.7 | 20   | 15.7 | 15.7 |
| K..107     | 10                               | 20.5 | 24   | 32   | 24   | 24   |
| K..127     | 21                               | 41.5 | 43   | 52   | 40   | 40   |
| K..157     | 31                               | 66   | 67   | 87   | 62   | 62   |
| K..167     | 35                               | 100  | 100  | 125  | 85   | 85   |
| K..187     | 60                               | 170  | 170  | 205  | 130  | 130  |

说明: 1.轴输入型没有电动机的各项内容。

- 2.无特别说明时Y系列电动机供货按IP54防护等级。
- 3.不注明安装形式时, 按安装形式图(见10-13页)中M1安装形式供货。
- 4.不注明接线盒角度时, 按安装形式图(见10-13页)中0度位置供货。
- 5.K、KF、KAF、KAZ型减速机不注明输出轴或法兰方向时, 按安装形式图(见10-13页)中A向供货。
- 6.如果减速机只承受单向载荷, 请注明从输出轴端方向看的旋转方向,这有利于改善弧齿锥齿轮轴的受力。

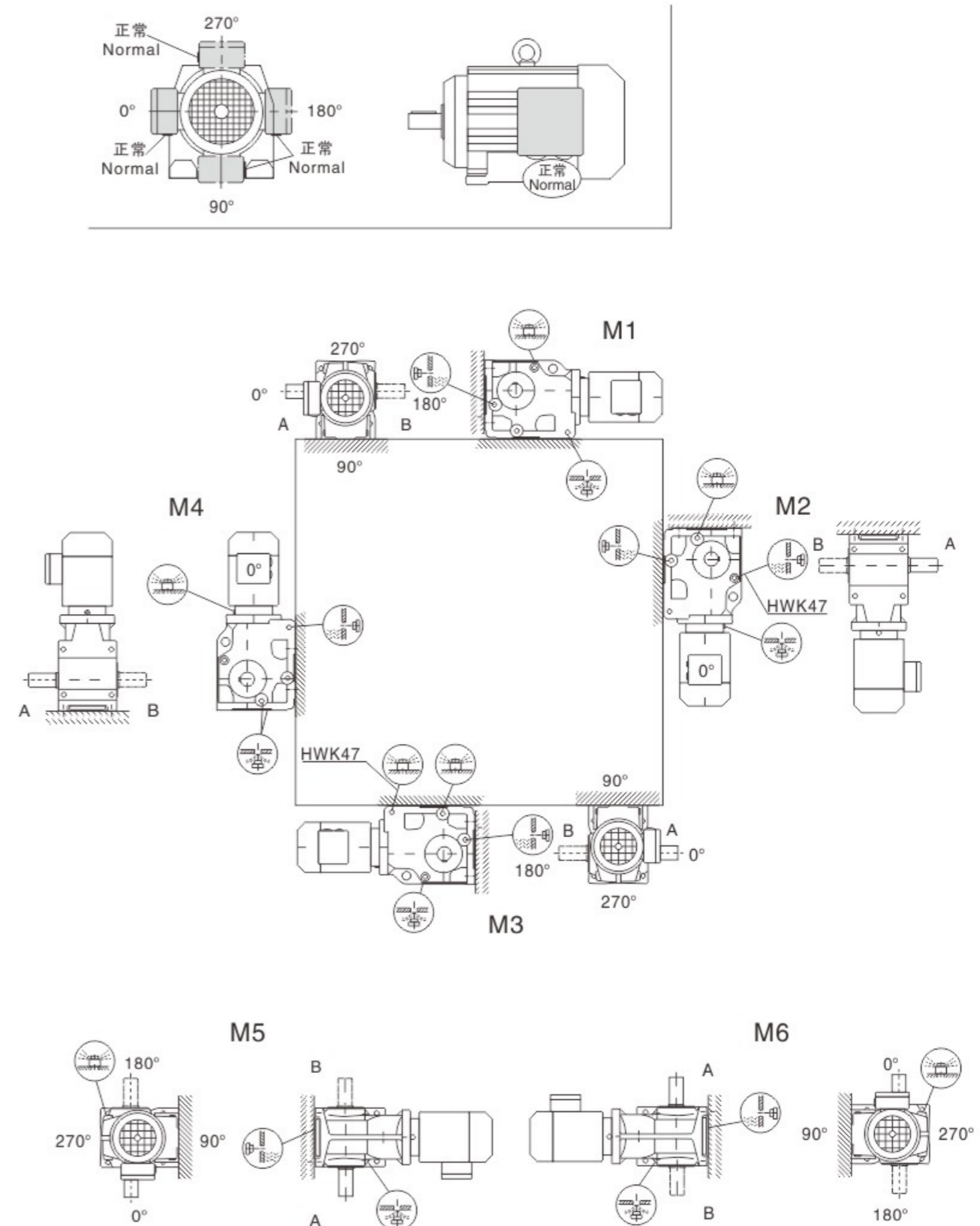
Note: 1. The shaft input type does not have all the contents of the motor.

2. Motors of Y series are supplied with protection grade of IP54 unless otherwise specified
3. The mounting position of M1 as shown in the mounting position example(page 10-13)is the default way when supplying unless otherwise specified.
4. 0° as shown in the mounting position example(page 10-13) is the default connection box angle when supplying unless otherwise specified.
5. The mounting position of A as shown in the mounting position example(Page 10-13)is the default way When supplying reducers such as K、K、KAF、KAZ model unless otherwise specified.
6. It is necessary to note the direction of rotation from the output shaft end.

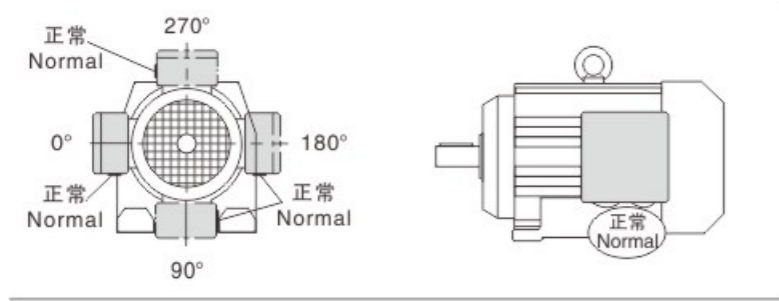
安装形式图释义 Explanation of mounting position example



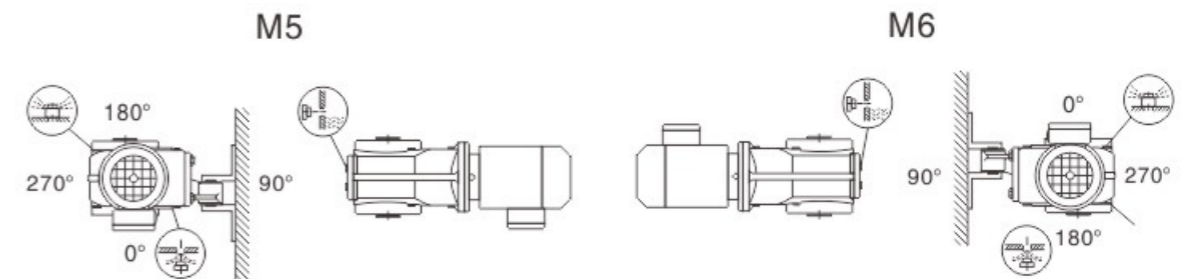
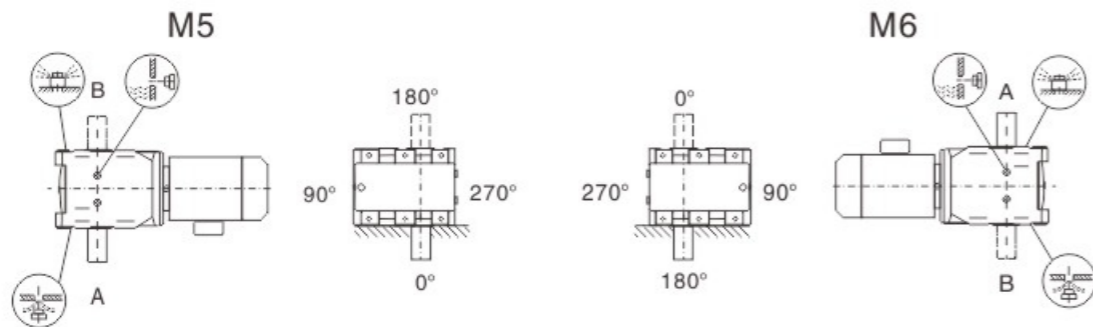
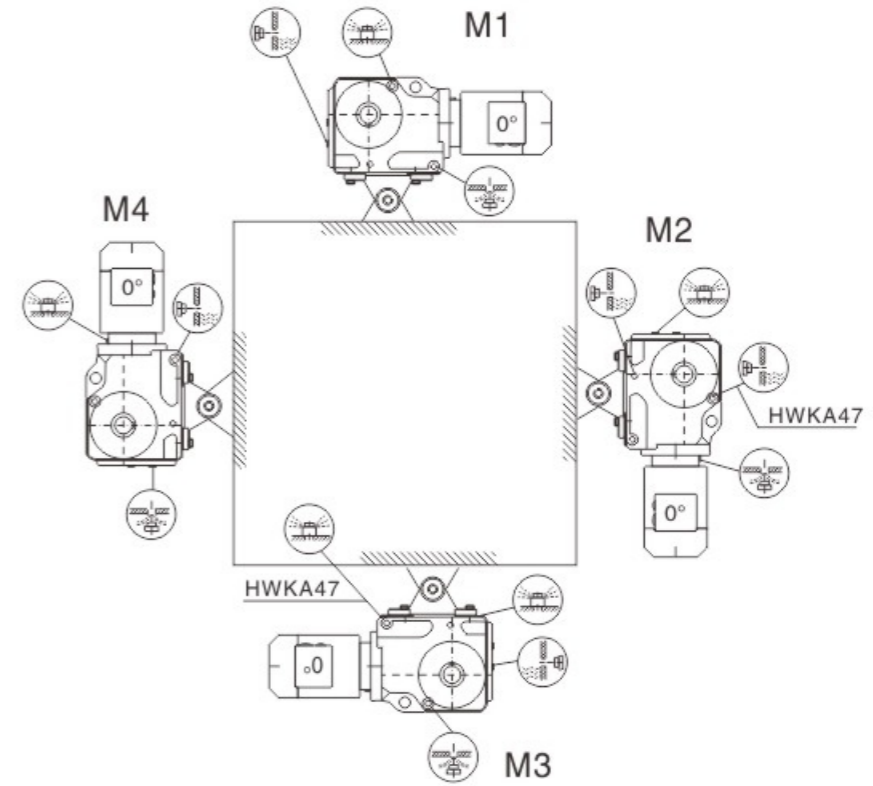
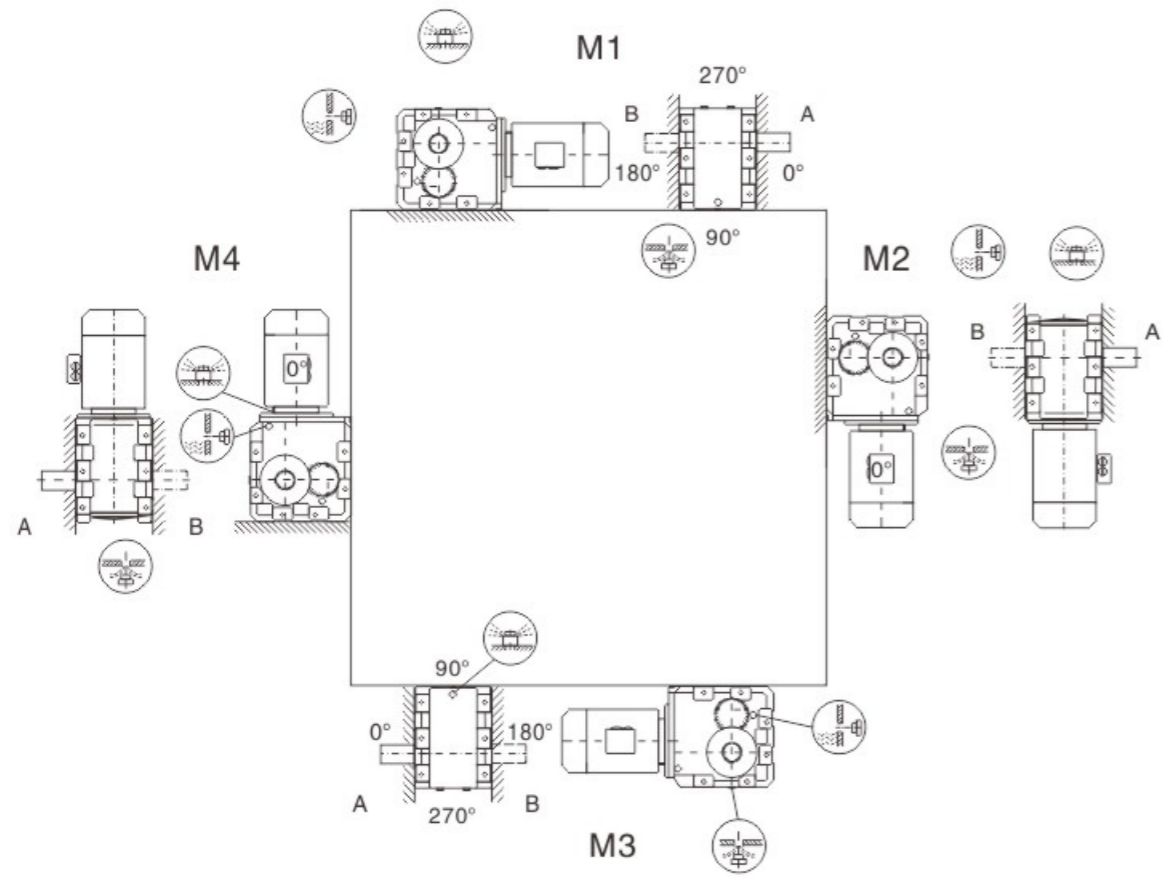
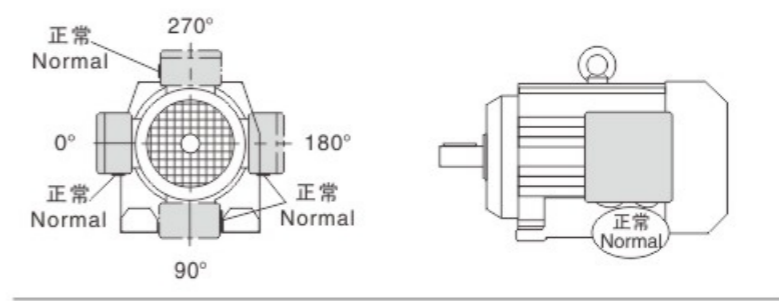
HWK/KAB37-157安装形式图 HWK/KAB37-157 Mounting position example



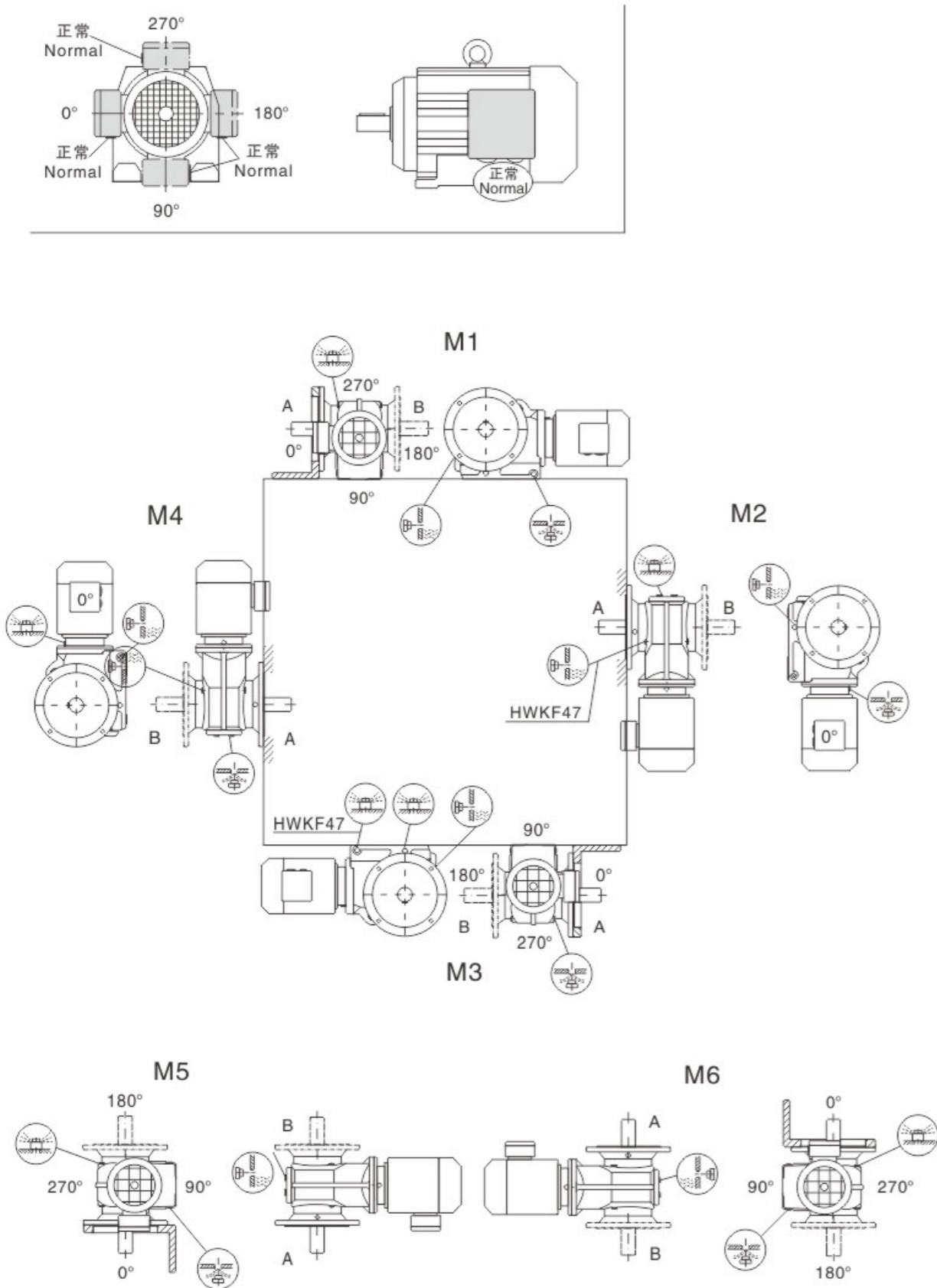
HWK/KA167-187安装形式图 HWK/KA167-187 Mounting position example



HWKAT37-157安装形式图 HWKAT37-157 Mounting position example



HWKF/KAF/KAZ37-157安装形式图 HWKF/KAF/KAZ37-157 Mounting position example



| 输出转速<br>Output speed<br>$n_2$<br>[r/min] | 输出转矩<br>Output torque<br>$M_2$<br>[N·m] | 传动比<br>Ratio<br>$i$ | 径向负荷<br>Permitted overhung load<br>$F_{rs}$<br>[N] | 使用系数<br>Service factor<br>$f_s$ | 机型号<br>Model | 电机极数<br>Pole<br>P | 输出转速<br>Output speed<br>$n_2$<br>[r/min] | 输出转矩<br>Output torque<br>$M_2$<br>[N·m] | 传动比<br>Ratio<br>$i$ | 径向负荷<br>Permitted overhung load<br>$F_{rs}$<br>[N] | 使用系数<br>Service factor<br>$f_s$ | 机型号<br>Model | 电机极数<br>Pole<br>P |
|--|---|---------------------|--|---------------------------------|--------------|-------------------|--|---|---------------------|--|---------------------------------|--------------|-------------------|
| <b>0.12kw</b>                            |   |                     |  |                                 |              |                   | <b>0.12kw</b>                            |   |                     |  |                                 |              |                   |
| 0.08                                     | 11800                                   | 17550               | 79800  | 1.10                            |              |                   | 1.0                                      | 930                                     | 1351                | 9230   | 0.90                            |              |                   |
| 0.09                                     | 10700                                   | 16006               | 80400  | 1.20                            |              |                   | 1.2                                      | 795                                     | 1171                | 10500  | 1.05                            |              |                   |
| 0.09                                     | 9880                                    | 14975               | 80700  | 1.30                            | HWK 127R77   | 4                 | 1.3                                      | 695                                     | 1034                | 11300  | 1.20                            |              |                   |
| 0.11                                     | 8010                                    | 12440               | 81500  | 1.60                            | HWKF 127R77  | 4                 | 1.5                                      | 585                                     | 903                 | 12000  | 1.40                            |              |                   |
| 0.13                                     | 6920                                    | 10915               | 81800  | 1.90                            | HWKA 127R77  | 4                 | 1.7                                      | 545                                     | 793                 | 12200  | 1.50                            |              |                   |
| 0.14                                     | 6320                                    | 9819                | 82000  | 2.1                             | HWKAF 127R77 | 4                 | 2.0                                      | 440                                     | 697                 | 12700  | 1.85                            | HWK 67 R37   | 4                 |
| 0.16                                     | 5220                                    | 8443                | 82300  | 2.5                             |              |                   | 2.2                                      | 390                                     | 613                 | 12900  | 2.1                             | HWKF 67 R37  | 4                 |
| 0.18                                     | 4820                                    | 7482                | 82300  | 2.7                             |              |                   | 2.5                                      | 340                                     | 542                 | 13000  | 2.4                             | HWKA 67 R37  | 4                 |
|  |   |                     |  |                                 |              |                   | 2.9                                      | 315                                     | 471                 | 13000  | 2.6                             | HWKAF 67 R37 | 4                 |
|  |   |                     |  |                                 |              |                   | 3.3                                      | 265                                     | 420                 | 13000  | 3.1                             |              |                   |
| 0.10                                     | 9590                                    | 14311               | 65000  | 0.85                            |              |                   | 3.8                                      | 235                                     | 361                 | 13000  | 3.5                             |              |                   |
| 0.11                                     | 8060                                    | 12211               | 65000  | 1.00                            |              |                   | 4.3                                      | 210                                     | 323                 | 13000  | 3.9                             |              |                   |
| 0.13                                     | 6930                                    | 10677               | 65000  | 1.15                            |              |                   | 4.9                                      | 176                                     | 279                 | 13000  | 4.7                             |              |                   |
| 0.14                                     | 6280                                    | 9524                | 65000  | 1.25                            | HWK 107R77   | 4                 | 5.6                                      | 155                                     | 246                 | 13000  | 5.3                             |              |                   |
| 0.17                                     | 5410                                    | 8328                | 65000  | 1.50                            | HWKF 107R77  | 4                 | 6.3                                      | 134                                     | 217                 | 13000  | 6.1                             |              |                   |
| 0.19                                     | 4720                                    | 7270                | 65000  | 1.70                            | HWKA 107R77  | 4                 |  |   |                     |  |                                 |              |                   |
| 0.22                                     | 3760                                    | 6184                | 65000  | 2.1                             | HWKAF 107R77 | 4                 |  |   |                     |  |                                 |              |                   |
| 0.24                                     | 3320                                    | 5662                | 65000  | 2.4                             |              |                   | 1.5                                      | 585                                     | 906                 | 7750   | 1.05                            |              |                   |
| 0.27                                     | 3020                                    | 5138                | 65000  | 2.7                             |              |                   | 1.7                                      | 525                                     | 806                 | 8220   | 1.15                            |              |                   |
| 0.32                                     | 2700                                    | 4359                | 65000  | 3.0                             |              |                   | 2.0                                      | 445                                     | 699                 | 8690   | 1.35                            |              |                   |
|  |   |                     |  |                                 |              |                   | 2.2                                      | 390                                     | 615                 | 8930   | 1.55                            |              |                   |
|  |   |                     |  |                                 |              |                   | 2.5                                      | 340                                     | 544                 | 9120   | 1.75                            | HWK 57 R37   | 4                 |
| 0.17                                     | 5310                                    | 8054                | 39500  | 0.80                            |              |                   | 2.9                                      | 310                                     | 473                 | 9250   | 1.95                            | HWKF 57 R37  | 4                 |
| 0.20                                     | 4350                                    | 6970                | 40000  | 1.00                            |              |                   | 3.3                                      | 265                                     | 421                 | 9420   | 2.3                             | HWKA 57 R37  | 4                 |
| 0.23                                     | 3890                                    | 6027                | 40000  | 1.10                            | HWK 97R57    | 4                 | 3.8                                      | 235                                     | 362                 | 9510   | 2.5                             | HWKAF 57 R37 | 4                 |
| 0.26                                     | 3560                                    | 5391                | 40000  | 1.20                            | HWKF 97R57   | 4                 | 4.3                                      | 210                                     | 319                 | 9610   | 2.9                             |              |                   |
| 0.30                                     | 2950                                    | 4669                | 40000  | 1.45                            | HWKA 97R57   | 4                 | 4.9                                      | 176                                     | 280                 | 9710   | 3.4                             |              |                   |
| 0.34                                     | 2640                                    | 4082                | 40000  | 1.65                            | HWKAF 97R57  | 4                 | 5.6                                      | 155                                     | 246                 | 9770   | 3.9                             |              |                   |
| 0.39                                     | 2320                                    | 3583                | 40000  | 1.85                            |              |                   | 6.4                                      | 135                                     | 215                 | 9830   | 4.4                             |              |                   |
| 0.44                                     | 2040                                    | 3108                | 40000  | 2.1                             |              |                   | 7.2                                      | 122                                     | 192                 | 9860   | 4.9                             |              |                   |
| 0.50                                     | 1720                                    | 2757                | 40000  | 2.5                             |              |                   |  |   |                     |  |                                 |              |                   |
|  |   |                     |  |                                 |              |                   | 2.2                                      | 430                                     | 639                 | 2520   | 0.95                            |              |                   |
| 0.57                                     | 1580                                    | 2419                | 40000  | 2.7                             |              |                   | 2.5                                      | 370                                     | 552                 | 6350   | 1.10                            | HWK 47 R37   | 4                 |
| 0.65                                     | 1370                                    | 2123                | 40000  | 3.2                             |              |                   | 2.8                                      | 315                                     | 495                 | 6930   | 1.25                            | HWKF 47 R37  | 4                 |
| 0.74                                     | 1220                                    | 1856                | 40000  | 3.5                             | HWK 97 R57   | 4                 | 3.2                                      | 280                                     | 426                 | 7240   | 1.45                            | HWKA 47 R37  | 4                 |
| 0.85                                     | 1000                                    | 1625                | 40000  | 4.3                             | HWKF 97 R57  | 4                 | 3.7                                      | 235                                     | 375                 | 7560   | 1.70                            | HWKAF 47 R37 | 4                 |
| 0.96                                     | 860                                     | 1430                | 40000  | 5.0                             | HWKA 97 R57  | 4                 | 4.2                                      | 215                                     | 327                 | 7670   | 1.85                            |              |                   |
| 1.1                                      | 830                                     | 1261                | 40000  | 5.2                             | HWKAF 97 R57 | 4                 | 4.8                                      | 189                                     | 289                 | 7830   | 2.1                             |              |                   |
| 1.2                                      | 725                                     | 1102                | 40000  | 5.9                             |              |                   |  |   |                     |  |                                 |              |                   |
|  |   |                     |  |                                 |              |                   | 4.0                                      | 235                                     | 346                 | 4840   | 0.85                            |              |                   |
| 0.26                                     | 3380                                    | 5240                | 26300  | 0.80                            |              |                   | 4.5                                      | 200                                     | 304                 | 5640   | 1.00                            |              |                   |
| 0.30                                     | 2850                                    | 4562                | 27100  | 0.95                            |              |                   | 5.2                                      | 182                                     | 267                 | 5830   | 1.10                            | HWK 37 R17   | 4                 |
| 0.34                                     | 2610                                    | 4037                | 27400  | 1.05                            | HWK 87 R57   | 4                 | 5.9                                      | 157                                     | 234                 | 6060   | 1.25                            | HWKF 37 R17  | 4                 |
| 0.38                                     | 2330                                    | 3609                | 27700  | 1.15                            | HWKF 87 R57  | 4                 | 6.7                                      | 138                                     | 205                 | 6220   | 1.45                            | HWKA 37 R17  | 4                 |
| 0.44                                     | 1990                                    | 3107                | 28100  | 1.35                            | HWKA 87 R57  | 4                 | 7.6                                      | 120                                     | 181                 | 6330   | 1.65                            | HWKAF 37 R17 | 4                 |
| 0.51                                     | 1700                                    | 2728                | 28300  | 1.60                            | HWKAF 87 R57 | 4                 | 8.6                                      | 105                                     | 160                 | 6420   | 1.90                            |              |                   |
| 0.58                                     | 1500                                    | 2371                | 28500  | 1.80                            |              |                   | 10                                       | 88                                      | 136                 | 6500   | 2.3                             |              |                   |
|  |   |                     |  |                                 |              |                   |  |   |                     |  |                                 |              |                   |
| 0.66                                     | 1380                                    | 2088                | 28600  | 1.95                            |              |                   |  |   |                     |  |                                 |              |                   |
| 0.74                                     | 1220                                    | 1854                | 28700  | 2.2                             |              |                   | 6.2                                      | 184                                     | 144.79              | 13000  | 4.4                             | HWK 67       | 6                 |
| 0.83                                     | 1090                                    | 1657                | 28700  | 2.5                             |              |                   |  |   |                     |  |                                 |              |                   |
| 0.97                                     | 930                                     | 1415                | 28800  | 2.9                             | HWK 87 R57   | 4                 |  |   |                     |  |                                 |              |                   |
| 1.1                                      | 800                                     | 1229                | 28900  | 3.4                             | HWKF 87 R57  | 4                 |  |   |                     |  |                                 |              |                   |
| 1.3                                      | 695                                     | 1078                | 28900  | 3.9                             | HWKA 87 R57  | 4                 |  |   |                     |  |                                 |              |                   |
| 1.5                                      | 585                                     | 951                 | 29000  | 4.6                             | HWKAF 87 R57 | 4                 |  |   |                     |  |                                 |              |                   |
| 1.6                                      | 505                                     | 837                 | 29000  | 5.4                             |              |                   |  |   |                     |  |                                 |              |                   |
| 1.9                                      | 435                                     | 726                 | 29000  | 6.2                             |              |                   |  |   |                     |  |                                 |              |                   |
|  |   |                     |  |                                 |              |                   |  |   |                     |  |                                 |              |                   |
| 0.51                                     | 1790                                    | 2717                | 13400  | 0.85                            | HWK 77 R37   | 4                 | 9.5                                      | 121                                     | 145.14              | 9870   | 5.0                             | HWK 57       | 4                 |
| 0.58                                     | 1510                                    | 2370                | 15700  | 1.05                            | HWKF 77 R37  | 4                 | 11                                       | 103                                     | 123.85              | 9920   | 5.8                             | HWKF 57      | 4                 |
|  |   |                     |  |                                 | HWKA 77 R37  | 4                 | 13                                       | 90                                      | 108.29              | 9950   | 6.7                             | HWKA 57      | 4                 |
|  |   |                     |  |                                 | HWKAF 77 R37 | 4                 | 13                                       | 85                                      | 102.88              | 9960   | 7.0                             | HWKA 57      | 4                 |
|  |   |                     |  |                                 |              |                   | 15                                       | 75                                      | 90.26               | 9990   | 8.0                             | HWKAF 57     | 4                 |
|  |   |                     |  |                                 |              |                   |  |   |                     |  |                                 |              |                   |
| 0.67                                     | 1380                                    | 2050                | 16500  | 1.10                            |              |                   |  |   |                     |  |                                 |              |                   |
| 0.78                                     | 1180                                    | 1772                | 17500  | 1.30                            |              |                   | 6.8                                      | 168                                     | 131.87              | 7930   | 2.4                             | HWK 47       | 6                 |
| 0.91                                     | 1010                                    | 1514                | 18300  | 1.55                            |              |                   | 7.4                                      | 155                                     | 121.48              | 7990   | 2.6                             | HWKF 47      | 6                 |
| 0.99                                     | 920                                     | 1388                | 18600  | 1.70                            | HWK 77 R37   | 4                 | 8.6                                      | 133                                     | 104.37              | 8070   | 3.0                             | HWKA 47      | 6                 |
| 1.1                                      | 810                                     | 1218                | 19000  | 1.90                            | HWKF 77 R37  | 4                 |  |   |                     |  |                                 |              |                   |
| 1.3                                      | 710                                     | 1053                | 19200  | 2.2                             | HWKA 77 R37  | 4                 |  |   |                     |  |                                 |              |                   |
| 1.5                                      | 620                                     | 924                 | 19500  | 2.5                             | HWKAF 77 R37 | 4                 |  |   |                     |  |                                 |              |                   |
| 1.7                                      | 550                                     | 815                 | 19600  | 2.8                             |              |                   |  |   |                     |  |                                 |              |                   |
| 2.0                                      | 440                                     | 709                 | 19800  | 3.5                             |              |                   | 10                                       | 110                                     | 131.87              | 8140   | 3.7                             | HWK 47       | 4                 |
| 2.2                                      | 385                                     | 622                 | 19900  | 4.0                             |              |                   | 11                                       | 101                                     | 121.48              | 8170   | 4.0                             | HWKA 47      | 4                 |
|  |   |                     |  |                                 |              |                   |  |   |                     |  |                                 |              |                   |



| 输出转速<br>Output speed<br>$n_2$<br>[r/min] | 输出转矩<br>Output torque<br>$M_2$<br>[N·m] | 传动比<br>Ratio<br>i | 径向负荷<br>Permitted<br>overhung<br>load<br>$F_{Ra}$<br>[N] | 使用系数<br>Service<br>factor<br>$f_s$ | 机型号<br>Model | 电机极数<br>Pole<br>P |
|--|---|-------------------|--|------------------------------------|--------------|-------------------|
| <b>0.12kW</b>                            |   |                   |  |                                    |              |                   |
| 8.5                                      | 136                                     | 106.38            | 6230   | 1.50                               | HWK 37       | 6                 |
| 9.2                                      | 125                                     | 97.81             | 6300   | 1.60                               | HWKF 37      | 6                 |
| 11                                       | 107                                     | 83.69             | 6410   | 1.90                               | HWKA 37      | 6                 |
| 12                                       | 92                                      | 72.54             | 6480   | 2.2                                | HWKAF 37     | 6                 |
| 13                                       | 88                                      | 106.38            | 6500   | 2.3                                |              |                   |
| 14                                       | 81                                      | 97.81             | 6530   | 2.5                                |              |                   |
| 16                                       | 70                                      | 83.69             | 6570   | 2.9                                |              |                   |
| 19                                       | 60                                      | 72.54             | 6600   | 3.3                                |              |                   |
| 20                                       | 56                                      | 67.80             | 6610   | 3.5                                |              |                   |
| 24                                       | 49                                      | 58.60             | 6430   | 4.1                                |              |                   |
| 28                                       | 41                                      | 49.79             | 6130   | 4.8                                |              |                   |
| 31                                       | 37                                      | 44.46             | 5930   | 5.4                                | HWK 37       | 4                 |
| 36                                       | 32                                      | 37.97             | 5660   | 6.3                                | HWKF 37      | 4                 |
| 39                                       | 30                                      | 35.57             | 5550   | 6.8                                | HWKA 37      | 4                 |
| 46                                       | 25                                      | 29.96             | 5270   | 8.0                                | HWKAF 37     | 4                 |
| 48                                       | 24                                      | 28.83             | 5210   | 8.4                                |              |                   |
| 55                                       | 21                                      | 24.99             | 4980   | 9.6                                |              |                   |
| 59                                       | 19                                      | 23.36             | 4880   | 10                                 |              |                   |
| 68                                       | 17                                      | 20.19             | 4660   | 11                                 |              |                   |
| 80                                       | 14                                      | 17.15             | 4430   | 13                                 |              |                   |
| 90                                       | 13                                      | 15.31             | 4280   | 14                                 |              |                   |
| 105                                      | 11                                      | 13.08             | 4070   | 15                                 |              |                   |
| 114                                      | 10                                      | 12.14             | 3970   | 16                                 |              |                   |
| <b>0.18kW</b>                            |   |                   |  |                                    |              |                   |
| 0.09                                     | 16300                                   | 14975             | 73200  | 0.80                               |              |                   |
| 0.11                                     | 13400                                   | 12440             | 79000  | 0.95                               |              |                   |
| 0.12                                     | 11600                                   | 10915             | 79900  | 1.10                               |              |                   |
| 0.13                                     | 10500                                   | 9819              | 80400  | 1.25                               | HWK 127R77   | 4                 |
| 0.16                                     | 8850                                    | 8443              | 81100  | 1.45                               | HWKF 127R77  | 4                 |
| 0.18                                     | 8040                                    | 7482              | 81400  | 1.60                               | HWKA 127R77  | 4                 |
| 0.20                                     | 6990                                    | 6565              | 81800  | 1.85                               | HWKAF 127R77 | 4                 |
| 0.23                                     | 5940                                    | 5804              | 82100  | 2.2                                |              |                   |
| 0.26                                     | 5220                                    | 5027              | 82300  | 2.5                                |              |                   |
| 0.30                                     | 4530                                    | 4423              | 82400  | 2.9                                |              |                   |
| 0.34                                     | 3960                                    | 3889              | 82500  | 3.3                                |              |                   |
| 0.40                                     | 3310                                    | 3311              | 82600  | 3.9                                |              |                   |
| 0.16                                     | 8990                                    | 8328              | 65000  | 0.90                               |              |                   |
| 0.18                                     | 7850                                    | 7270              | 65000  | 1.00                               |              |                   |
| 0.21                                     | 6420                                    | 6184              | 65000  | 1.25                               |              |                   |
| 0.23                                     | 5760                                    | 5662              | 65000  | 1.40                               | HWK 107R77   | 4                 |
| 0.26                                     | 5230                                    | 5138              | 65000  | 1.55                               | HWKF 107R77  | 4                 |
| 0.30                                     | 4570                                    | 4359              | 65000  | 1.75                               | HWKA 107R77  | 4                 |
| 0.35                                     | 4000                                    | 3810              | 65000  | 2.0                                | HWKAF 107R77 | 4                 |
| 0.39                                     | 3440                                    | 3358              | 65000  | 2.3                                |              |                   |
| 0.44                                     | 3090                                    | 2977              | 65000  | 2.6                                |              |                   |
| 0.51                                     | 2700                                    | 2599              | 65000  | 3.0                                |              |                   |
| 0.58                                     | 2340                                    | 2286              | 65000  | 3.4                                |              |                   |
| 0.28                                     | 4960                                    | 4669              | 39900  | 0.85                               | HWK 97 R57   | 4                 |
| 0.32                                     | 4390                                    | 4082              | 40000  | 1.00                               | HWKF 97 R57  | 4                 |
| 0.37                                     | 3860                                    | 3583              | 40000  | 1.10                               | HWKA 97 R57  | 4                 |
| 0.42                                     | 3370                                    | 3108              | 40000  | 1.25                               | HWKAF 97 R57 | 4                 |
| 0.48                                     | 2910                                    | 2757              | 40000  | 1.50                               |              |                   |
| 0.55                                     | 2640                                    | 2419              | 40000  | 1.65                               |              |                   |
| 0.62                                     | 2290                                    | 2123              | 40000  | 1.95                               |              |                   |
| 0.71                                     | 2030                                    | 1856              | 40000  | 2.1                                |              |                   |
| 0.81                                     | 1710                                    | 1625              | 40000  | 2.5                                | HWK 97 R57   | 4                 |
| 0.92                                     | 1490                                    | 1430              | 40000  | 2.9                                | HWKF 97 R57  | 4                 |
| 1.0                                      | 1380                                    | 1261              | 40000  | 3.1                                | HWKA 97 R57  | 4                 |
| 1.2                                      | 1210                                    | 1102              | 40000  | 3.6                                | HWKAF 97 R57 | 4                 |
| 1.4                                      | 1040                                    | 957               | 40000  | 4.1                                |              |                   |
| 1.5                                      | 930                                     | 855               | 40000  | 4.6                                |              |                   |
| 1.8                                      | 755                                     | 743               | 40000  | 5.7                                |              |                   |
| 2.0                                      | 675                                     | 652               | 40000  | 6.4                                |              |                   |
| 0.42                                     | 3330                                    | 3107              | 26400  | 0.80                               | HWK 87 R57   | 4                 |
| 0.48                                     | 2880                                    | 2728              | 27100  | 0.95                               | HWKF 87 R57  | 4                 |
| 0.56                                     | 2520                                    | 2371              | 27500  | 1.05                               | HWKA 87 R57  | 4                 |

| 输出转速<br>Output speed<br>$n_2$<br>[r/min] | 输出转矩<br>Output torque<br>$M_2$<br>[N·m] | 传动比<br>Ratio<br>i | 径向负荷<br>Permitted<br>overhung<br>load<br>$F_{Ra}$<br>[N] | 使用系数<br>Service<br>factor<br>$f_s$ | 机型号<br>Model | 电机极数<br>Pole<br>P |
|--|---|-------------------|--|------------------------------------|--------------|-------------------|
| <b>0.18kW</b>                            |   |                   |  |                                    |              |                   |
| 0.63                                     | 2290                                    | 2088              | 27800  | 1.20                               |              |                   |
| 0.71                                     | 2030                                    | 1854              | 28000  | 1.35                               | HWK 87R57    | 4                 |
| 0.80                                     | 1820                                    | 1657              | 28200  | 1.50                               | HWKF 87R57   | 4                 |
| 0.93                                     | 1540                                    | 1415              | 28400  | 1.75                               | HWKA 87R57   | 4                 |
| 1.1                                      | 1340                                    | 1229              | 28600  | 2.0                                | HWKAF 87R57  | 4                 |
| 1.2                                      | 1160                                    | 1078              | 28700  | 2.3                                |              |                   |
| 1.4                                      | 1000                                    | 951               | 28800  | 2.7                                |              |                   |
| 1.6                                      | 870                                     | 837               | 28800  | 3.1                                |              |                   |
| 1.8                                      | 755                                     | 726               | 28900  | 3.6                                |              |                   |
| 0.87                                     | 1670                                    | 1514              | 14500  | 0.95                               |              |                   |
| 0.95                                     | 1530                                    | 1388              | 15500  | 1.00                               |              |                   |
| 1.1                                      | 1340                                    | 1218              | 16700  | 1.15                               |              |                   |
| 1.2                                      | 1170                                    | 1053              | 17600  | 1.35                               |              |                   |
| 1.4                                      | 1030                                    | 924               | 18200  | 1.50                               | HWK 77R37    | 4                 |
| 1.6                                      | 910                                     | 815               | 18700  | 1.70                               | HWKF 77R37   | 4                 |
| 1.9                                      | 750                                     | 709               | 19100  | 2.1                                | HWKA 77R37   | 4                 |
| 2.1                                      | 655                                     | 622               | 19400  | 2.4                                | HWKAF 77R37  | 4                 |
| 2.4                                      | 590                                     | 552               | 19500  | 2.6                                |              |                   |
| 2.7                                      | 515                                     | 485               | 19700  | 3.0                                |              |                   |
| 3.1                                      | 455                                     | 428               | 19800  | 3.4                                |              |                   |
| 3.6                                      | 400                                     | 367               | 19900  | 3.9                                |              |                   |
| 1.5                                      | 980                                     | 903               | 5660   | 0.85                               |              |                   |
| 1.7                                      | 890                                     | 793               | 9620   | 0.90                               |              |                   |
| 1.9                                      | 745                                     | 697               | 10900  | 1.10                               |              |                   |
| 2.2                                      | 655                                     | 613               | 11600  | 1.25                               | HWK 67R37    | 4                 |
| 2.4                                      | 580                                     | 542               | 12000  | 1.40                               | HWKF 67R37   | 4                 |
| 2.8                                      | 520                                     | 471               | 12300  | 1.60                               | HWKA 67R37   | 4                 |
| 3.2                                      | 445                                     | 420               | 12600  | 1.85                               | HWKAF 67R37  | 4                 |
| 3.7                                      | 395                                     | 361               | 12800  | 2.1                                |              |                   |
| 4.1                                      | 350                                     | 323               | 13000  | 2.3                                |              |                   |
| 4.7                                      | 295                                     | 279               | 13000  | 2.8                                |              |                   |
| 2.2                                      | 660                                     | 615               | 5580   | 0.90                               |              |                   |
| 2.4                                      | 580                                     | 544               | 7800   | 1.05                               |              |                   |
| 2.8                                      | 515                                     | 473               | 8300   | 1.15                               |              |                   |
| 3.1                                      | 450                                     | 421               | 8670   | 1.35                               | HWK 57R37    | 4                 |
| 3.6                                      | 395                                     | 362               | 8900   | 1.50                               | HWKF 57R37   | 4                 |
| 4.1                                      | 350                                     | 319               | 9100   | 1.75                               | HWKA 57R37   | 4                 |
| 4.7                                      | 300                                     | 280               | 9290   | 2.0                                | HWKAF 57R37  | 4                 |
| 5.4                                      | 260                                     | 246               | 9420   | 2.3                                |              |                   |
| 6.1                                      | 230                                     | 215               | 9540   | 2.6                                |              |                   |
| 6.9                                      | 205                                     | 192               | 9610   | 2.9                                |              |                   |
| 7.9                                      | 178                                     | 166               | 9700   | 3.4                                |              |                   |
| 3.5                                      | 400                                     | 375               | 5930   | 1.00                               |              |                   |
| 4.0                                      | 360                                     | 327               | 6440   | 1.10                               |              |                   |
| 4.6                                      | 315                                     | 289               | 6920   | 1.25                               | HWK 47R37    | 4                 |
| 5.2                                      | 275                                     | 256               | 7290   | 1.45                               | HWKF 47R37   | 4                 |
| 5.9                                      | 245                                     | 225               | 7500   | 1.65                               | HWKA 47R37   | 4                 |
| 6.7                                      | 210                                     | 198               | 7710   | 1.90                               | HWKAF 47R37  | 4                 |
| 7.7                                      | 183                                     | 171               | 7860   | 2.2                                |              |                   |
| 8.6                                      | 164                                     | 153               | 7950   | 2.4                                |              |                   |
| 10                                       | 142                                     | 131               | 8040   | 2.8                                |              |                   |
| 6.4                                      | 225                                     | 205               | 5300   | 0.90                               | HWK 37R17    | 4                 |
| 7.3                                      | 199                                     | 181               | 5650   | 1.00                               | HWKF 37R17   | 4                 |
| 8.2                                      | 175                                     | 160               | 5900   | 1.15                               | HWKA 37R17   | 4                 |
| 9.7                                      | 148                                     | 136               | 6140   | 1.35                               | HWKAF 37R17  | 4                 |
| 10                                       | 140                                     | 127               | 6200   | 1.45                               |              |                   |
| 6.0                                      | 285                                     | 144.79            | 13000  | 2.9                                | HWK 67       | 6                 |
| 7.0                                      | 245                                     | 123.54            | 13000  | 3.4                                | HWKF 67      | 6                 |
| 8.1                                      | 215                                     | 108.03            | 13000  | 3.8                                | HWKA 67      | 6                 |
| 8.5                                      | 205                                     | 102.62            | 13000  | 4.0                                | HWKAF 67     | 6                 |
| 9.1                                      | 189                                     | 144.79            | 13000  | 4.3                                | HWK 67       | 4                 |
| 11                                       | 161                                     | 123.54            | 13000  | 5.1                                | HWKF 67      | 4                 |
| 12                                       | 141                                     | 108.03            | 13000  | 5.8                                | HWKAF 67     | 4                 |

| 输出转速<br>Output speed<br>$n_2$<br>[r/min] | 输出转矩<br>Output torque<br>$M_2$<br>[N·m] | 传动比<br>Ratio<br>i | 径向负荷<br>Permitted<br>overhung<br>load<br>$F_{Ra}$<br>[N] | 使用系数<br>Service<br>factor<br>$f_s$ | 机型号<br>Model | 电机极数<br>Pole<br>P |
|--|---|-------------------|--|------------------------------------|--------------|-------------------|
| <b>0.18kW</b>                            |   |                   |  |                                    |              |                   |
| 6.0                                      | 285                                     | 145.14            | 9340   | 2.1                                | HWK 57       | 6                 |
| 7.0                                      | 245                                     | 123.85            | 9480   | 2.5                                | HWKF 57      | 6                 |
| 8.0                                      | 215                                     | 108.29            | 9590   | 2.8                                | HWKA 57      | 6                 |
| 8.5                                      | 205                                     | 102.88            | 9620   | 3.0                                | HWKAF 57     | 6                 |
| 9.6                                      | 178                                     | 90.26             | 9700   | 3.4                                |              |                   |
| 9.1                                      | 189                                     | 145.14            | 9670   | 3.2                                |              |                   |
| 11                                       | 161                                     | 123.85            | 9750   | 3.7                                | HWK 57       | 4                 |
| 12                                       | 141                                     | 108.29            | 9810   | 4.3                                | HWKF 57      | 4                 |
| 13                                       | 134                                     | 102.88            | 9830   | 4.5                                | HWKA 57      | 4                 |
| 15                                       | 118                                     | 90.26             | 9880   | 5.1                                | HWKAF 57     | 4                 |
| 17                                       | 100                                     | 76.56             | 9920   | 6.0                                |              |                   |
| 6.6                                      | 260                                     | 131.87            | 7380   | 1.55                               | HWK 47       | 6                 |
| 7.2                                      | 240                                     | 121.48            | 7530   | 1.65                               | HWKF 47      | 6                 |
| 8.3                                      | 205                                     | 104.37            | 7740   | 1.95                               | HWKA 47      | 6                 |
| 9.6                                      | 180                                     | 90.86             | 7880   | 2.2                                | HWKAF 47     | 6                 |
| 10                                       | 168                                     | 85.12             | 7930   | 2.4                                |              |                   |
| 10                                       | 172                                     | 131.87            | 7910   | 2.3                                | HWK 47       | 4                 |
| 11                                       | 158                                     | 121.48            | 7970   | 2.5                                | HWKF 47      | 4                 |
| 13                                       | 136                                     | 104.37            | 8060   | 2.9                                | HWKA 47      | 4                 |
| 15                                       | 118                                     | 90.86             | 8120   | 3.4                                | HWKAF 47     | 4                 |
| 16                                       | 111                                     | 85.12             | 8140   | 3.6                                |              |                   |
| 8.2                                      | 210                                     | 106.38            | 5520   | 0.95                               | HWK 37       | 6                 |
| 8.9                                      | 193                                     | 97.81             | 5710   | 1.05                               | HWKF 37      | 6                 |
| 10                                       | 165                                     | 83.69             | 5990   | 1.20                               | HWKA 37      | 6                 |
| 12                                       | 143                                     | 72.54             | 6170   | 1.40                               | HWKAF 37     | 6                 |
| 12                                       | 139                                     | 106.38            | 6210   | 1.45                               |              |                   |
| 14                                       | 127                                     | 97.81             | 6280   | 1.55                               |              |                   |
| 16                                       | 109                                     | 83.69             | 6400   | 1.85                               |              |                   |
| 18                                       | 95                                      | 72.54             | 6470   | 2.1                                |              |                   |
| 19                                       | 88                                      | 67.80             | 6500   | 2.3                                |              |                   |
| 23                                       | 76                                      | 58.60             | 6280   | 2.6                                |              |                   |
| 27                                       | 65                                      | 49.79             | 6010   | 3.1                                |              |                   |
| 30                                       | 58                                      | 44.46             | 5830   | 3.5                                |              |                   |
| 35                                       | 49                                      | 37.97             | 5580   | 4.1                                |              |                   |
| 37                                       | 46                                      | 35.57             | 5480   | 4.3                                | HWK 37       | 4                 |
| 44                                       | 39                                      | 29.96             | 5220   | 5.1                                | HWKF 37      | 4                 |
| 46                                       | 38                                      | 28.83             | 5160   | 5.3                                | HWKA 37      | 4                 |
| 53                                       | 33                                      | 24.99             | 4950   | 6.2                                | HWKAF 37     | 4                 |
| 57                                       | 30                                      | 23.36             | 4850   | 6.4                                |              |                   |
| 65                                       | 26                                      | 20.19             | 4650   | 7.0                                |              |                   |
| 77                                       | 22                                      | 17.15             | 4430   | 8.1                                |              |                   |
| 86                                       | 20                                      | 15.31             | 4280   | 8.8                                |              |                   |
| 101                                      | 17                                      | 13.08             | 4080   | 9.7                                |              |                   |
| 109                                      | 16                                      | 12.14             | 3980   | 10                                 |              |                   |
| 126                                      | 14                                      | 10.49             | 3810   | 12                                 |              |                   |
| 148                                      | 12                                      | 8.91              | 3620   | 14                                 |              |                   |
| 166                                      | 10                                      | 7.96              | 3490   | 15                                 |              |                   |
| <b>0.25kw</b>                            |   |                   |  |                                    |              |                   |
| 0.13                                     | 15300                                   | 9819              | 75300  | 0.85                               |              |                   |
| 0.15                                     | 13000                                   | 8443              | 79200  | 1.00                               |              |                   |
| 0.17                                     | 11700                                   | 7482              | 79900  | 1.10                               | HWK 127R77   | 4                 |
| 0.20                                     | 10200                                   | 6565              | 80600  | 1.30                               | HWKF 127R77  | 4                 |
| 0.22                                     | 8770                                    | 5804              | 81200  | 1.50                               | HWKA 127R77  | 4                 |
| 0.26                                     | 7670                                    | 5027              | 81600  | 1.70                               | HWKAF 127R77 | 4                 |
| 0.29                                     | 6680                                    | 4423              | 81900  | 1.95                               |              |                   |
| 0.33                                     | 5850                                    | 3889              | 82100  | 2.2                                |              |                   |
| 0.39                                     | 4930                                    | 3311              | 82300  | 2.6                                |              |                   |

| 输出转速<br>Output speed<br>$n_2$<br>[r/min] | 输出转矩<br>Output torque<br>$M_2$<br>[N·m] | 传动比<br>Ratio<br>i | 径向负荷<br>Permitted<br>overhung<br>load<br>$F_{Ra}$<br>[N] | 使用系数<br>Service<br>factor<br>$f_s$ | 机型号<br>Model | 电机极数<br>Pole<br>P |
|--|---|-------------------|--|------------------------------------|--------------|-------------------|
|  |   |                   |  |                                    |              |                   |

| 输出转速<br>Output speed<br>$n_2$<br>[r/min] | 输出转矩<br>Output torque<br>$M_2$<br>[N·m] | 传动比<br>Ratio<br>i | 径向负荷<br>Permitted<br>overhung<br>load<br>$F_{Ra}$<br>[N] | 使用系数<br>Service<br>factor<br>$f_s$ | 机型号<br>Model | 电机极数<br>Pole<br>P |
|--|---|-------------------|--|------------------------------------|--------------|-------------------|
| <b>0.25kW</b>                            |   |                   |  |                                    |              |                   |
| 3.1                                      | 655                                     | 421               | 5750   | 0.90                               |              |                   |
| 3.6                                      | 575                                     | 362               | 7840   | 1.05                               |              |                   |
| 4.1                                      | 505                                     | 319               | 8380   | 1.20                               |              |                   |
| 4.7                                      | 435                                     | 280               | 8720   | 1.35                               |              |                   |
| 5.3                                      | 385                                     | 246               | 8950   | 1.55                               | HWK 57R37    | 4                 |
| 6.1                                      | 335                                     | 215               | 9150   | 1.80                               | HWKF 57R37   | 4                 |
| 6.8                                      | 300                                     | 192               | 9280   | 2.0                                | HWKA 57R37   | 4                 |
| 7.8                                      | 260                                     | 166               | 9430   | 2.3                                | HWKAF 57R37  | 4                 |
| 9.0                                      | 225                                     | 145               | 9550   | 2.7                                |              |                   |
| 10                                       | 205                                     | 129               | 9620   | 2.9                                |              |                   |
| 12                                       | 173                                     | 111               | 9720   | 3.5                                |              |                   |
| 13                                       | 152                                     | 97                | 9780   | 4.0                                |              |                   |
| 4.4                                      | 540                                     | 154.02            | 19600  | 2.9                                | HWK 77       | 8                 |
| 5.0                                      | 475                                     | 135.28            | 19700  | 3.3                                | HWKF 77      | 8                 |
| 5.3                                      | 450                                     | 128.52            | 19800  | 3.4                                | HWKA 77      | 8                 |
| 6.0                                      | 400                                     | 113.56            | 19900  | 3.9                                | HWKAF 77     | 8                 |
| 4.6                                      | 520                                     | 192.18            | 19700  | 2.8                                | HWK 77       | 6                 |
| 4.9                                      | 485                                     | 179.37            | 19700  | 3.0                                | HWKF 77      | 6                 |
| 5.7                                      | 420                                     | 154.02            | 19800  | 3.7                                | HWKA 77      | 6                 |
| 6.5                                      | 365                                     | 135.28            | 19900  | 4.2                                | HWKAF 77     | 6                 |
| 5.5                                      | 435                                     | 123.54            | 12700  | 1.90                               | HWK 67       | 8                 |
| 6.3                                      | 380                                     | 108.03            | 12900  | 2.2                                | HWKF 67      | 8                 |
| 6.6                                      | 360                                     | 102.62            | 12900  | 2.3                                | HWKA 67      | 8                 |
| 7.6                                      | 315                                     | 90.04             | 13000  | 2.6                                | HWKAF 67     | 8                 |
| 6.1                                      | 395                                     | 144.79            | 12800  | 2.1                                | HWK 67       | 6                 |
| 7.1                                      | 335                                     | 123.54            | 13000  | 2.5                                | HWKF 67      | 6                 |
| 8.1                                      | 395                                     | 108.03            | 13000  | 2.8                                | HWKA 67      | 6                 |
| 8.6                                      | 280                                     | 102.62            | 13000  | 3.0                                | HWKAF 67     | 6                 |
| 9.0                                      | 265                                     | 144.79            | 13000  | 3.1                                | HWK 67       | 4                 |
| 11                                       | 225                                     | 123.54            | 13000  | 3.6                                | HWKF 67      | 4                 |
| 12                                       | 198                                     | 108.03            | 13000  | 4.1                                | HWKA 67      | 4                 |
| 13                                       | 189                                     | 102.62            | 13000  | 4.3                                | HWKAF 67     | 4                 |
| 6.1                                      | 395                                     | 145.14            | 8910   | 1.50                               | HWK 57       | 6                 |
| 7.1                                      | 335                                     | 123.85            | 9150   | 1.80                               | HWK 57       | 6                 |
| 8.1                                      | 295                                     | 108.29            | 9310   | 2.0                                | HWKF 57      | 6                 |
| 8.6                                      | 280                                     | 102.88            | 9360   | 2.2                                | HWKA 57      | 6                 |
| 9.8                                      | 245                                     | 90.26             | 9480   | 2.5                                | HWKAF 57     | 6                 |
| 11                                       | 210                                     | 76.56             | 9610   | 2.9                                |              |                   |
| 9.0                                      | 265                                     | 145.14            | 9410   | 2.2                                |              |                   |
| 11                                       | 225                                     | 123.85            | 9540   | 2.6                                | HWK 57       | 4                 |
| 12                                       | 199                                     | 108.29            | 9640   | 3.0                                | HWKF 57      | 4                 |
| 13                                       | 189                                     | 102.88            | 9670   | 3.2                                | HWKA 57      | 4                 |
| 14                                       | 166                                     | 90.26             | 9740   | 3.6                                | HWKAF 57     | 4                 |
| 17                                       | 141                                     | 76.56             | 9810   | 4.3                                |              |                   |
| 6.7                                      | 360                                     | 131.87            | 6470   | 1.10                               |              |                   |
| 7.2                                      | 330                                     | 121.48            | 6780   | 1.20                               | HWK 47       | 6                 |
| 8.4                                      | 285                                     | 104.37            | 7210   | 1.40                               | HWKF 47      | 6                 |
| 9.7                                      | 245                                     | 90.86             | 7480   | 1.60                               | HWKA 47      | 6                 |
| 10                                       | 230                                     | 85.12             | 7590   | 1.75                               | HWKAF 47     | 6                 |
| 9.9                                      | 240                                     | 131.87            | 7510   | 1.65                               |              |                   |
| 11                                       | 225                                     | 121.48            | 7640   | 1.80                               | HWK 47       | 4                 |
| 12                                       | 192                                     | 104.37            | 7820   | 2.1                                | HWKF 47      | 4                 |
| 14                                       | 167                                     | 90.86             | 7930   | 2.4                                | HWKA 47      | 4                 |
| 15                                       | 156                                     | 85.12             | 7980   | 2.6                                | HWKAF 47     | 4                 |
| 11                                       | 225                                     | 83.69             | 5300   | 0.90                               | HWK 37       | 6                 |
| 12                                       | 197                                     | 72.54             | 5680   | 1.00                               | HWKF 37      | 6                 |
| 13                                       | 184                                     | 67.80             | 5810   | 1.10                               | HWKA 37      | 6                 |
| 15                                       | 159                                     | 58.60             | 6050   | 1.25                               | HWKAF 37     | 6                 |
| 18                                       | 135                                     | 49.79             | 6230   | 1.50                               |              |                   |

| 输出转速<br>Output speed<br>$n_2$<br>[r/min] | 输出转矩<br>Output torque<br>$M_2$<br>[N·m] | 传动比<br>Ratio<br>i | 径向负荷<br>Permitted<br>overhung<br>load<br>$F_{Ra}$<br>[N] | 使用系数<br>Service<br>factor<br>$f_s$ | 机型号<br>Model | 电机极数<br>Pole<br>P |
|--|---|-------------------|--|------------------------------------|--------------|-------------------|
| <b>0.25kW</b>                            |   |                   |  |                                    |              |                   |
| 12                                       | 195                                     | 106.38            | 5690   | 1.00                               |              |                   |
| 13                                       | 180                                     | 97.81             | 5860   | 1.10                               |              |                   |
| 16                                       | 154                                     | 83.69             | 6090   | 1.30                               |              |                   |
| 18                                       | 133                                     | 72.54             | 6250   | 1.50                               |              |                   |
| 19                                       | 125                                     | 67.80             | 6230   | 1.60                               |              |                   |
| 22                                       | 108                                     | 58.60             | 6030   | 1.85                               |              |                   |
| 26                                       | 91                                      | 49.79             | 5810   | 2.2                                |              |                   |
| 29                                       | 82                                      | 44.46             | 5650   | 2.5                                |              |                   |
| 34                                       | 70                                      | 37.97             | 5430   | 2.9                                |              |                   |
| 37                                       | 65                                      | 35.57             | 5340   | 3.1                                |              |                   |
| 43                                       | 55                                      | 29.96             | 5100   | 3.6                                | HWK 37       | 4                 |
| 45                                       | 53                                      | 28.83             | 5050   | 3.8                                | HWKF 37      | 4                 |
| 52                                       | 46                                      | 24.99             | 4860   | 4.4                                | HWKA 37      | 4                 |
| 56                                       | 43                                      | 23.36             | 4770   | 4.6                                | HWKAF 37     | 4                 |
| 64                                       | 37                                      | 20.19             | 4580   | 5.0                                |              |                   |
| 76                                       | 32                                      | 17.15             | 4370   | 5.7                                |              |                   |
| 85                                       | 28                                      | 15.31             | 4230   | 6.2                                |              |                   |
| 99                                       | 24                                      | 13.08             | 4030   | 6.9                                |              |                   |
| 107                                      | 22                                      | 12.14             | 3940   | 7.2                                |              |                   |
| 124                                      | 19                                      | 10.49             | 3780   | 8.3                                |              |                   |
| 146                                      | 16                                      | 8.91              | 3590   | 9.8                                |              |                   |
| 163                                      | 15                                      | 7.96              | 3470   | 11                                 |              |                   |
| 191                                      | 13                                      | 6.80              | 3310   | 12                                 |              |                   |
| 204                                      | 12                                      | 6.37              | 3240   | 12                                 |              |                   |
| <b>0.37kW</b>                            |   |                   |  |                                    |              |                   |
| 0.18                                     | 16600                                   | 7482              | 72600  | 0.80                               |              |                   |
| 0.21                                     | 14500                                   | 6565              | 76900  | 0.90                               | HWK 127R77   | 4                 |
| 0.24                                     | 12600                                   | 5804              | 79400  | 1.05                               | HWKF 127R77  | 4                 |
| 0.27                                     | 11000                                   | 5027              | 80200  | 1.20                               | HWKA 127R77  | 4                 |
| 0.31                                     | 9610                                    | 4432              | 80800  | 1.35                               | HWKAF 127R77 | 4                 |
| 0.35                                     | 8430                                    | 3889              | 81300  | 1.55                               |              |                   |
| 0.42                                     | 7120                                    | 3311              | 81700  | 1.85                               |              |                   |
| 0.72                                     | 4230                                    | 1926              | 82500  | 3.1                                | HWK 127R77   | 4                 |
| 0.79                                     | 3860                                    | 1757              | 82500  | 3.4                                | HWKF 127R77  | 4                 |
| 0.90                                     | 3360                                    | 1541              | 82600  | 3.9                                | HWKA 127R77  | 4                 |
|  |   |                   |  |                                    | HWKAF 127R77 | 4                 |
| 0.36                                     | 8380                                    | 3810              | 65000  | 0.95                               |              |                   |
| 0.41                                     | 7300                                    | 3358              | 65000  | 1.10                               | HWK 107R77   | 4                 |
| 0.46                                     | 6510                                    | 2977              | 65000  | 1.25                               | HWKF 107R77  | 4                 |
| 0.53                                     | 5690                                    | 2599              | 65000  | 1.40                               | HWKA 107R77  | 4                 |
| 0.60                                     | 4970                                    | 2286              | 65000  | 1.60                               | HWKAF 107R77 | 4                 |
| 0.71                                     | 4210                                    | 1939              | 65000  | 1.90                               |              |                   |
| 0.81                                     | 3790                                    | 1713              | 65000  | 2.1                                | HWK 107R77   | 4                 |
| 0.89                                     | 3440                                    | 1554              | 65000  | 2.3                                | HWKF 107R77  | 4                 |
| 1.0                                      | 2950                                    | 1336              | 65000  | 2.7                                | HWKA 107R77  | 4                 |
| 1.2                                      | 2580                                    | 1166              | 65000  | 3.1                                | HWKAF 107R77 | 4                 |
| 0.65                                     | 4770                                    | 2123              | 40000  | 0.90                               |              |                   |
| 0.74                                     | 4200                                    | 1856              | 40000  | 1.00                               |              |                   |
| 0.85                                     | 3610                                    | 1625              | 40000  | 1.20                               |              |                   |
| 0.96                                     | 3160                                    | 1430              | 40000  | 1.35                               | HWK 97 R57   | 4                 |
| 1.1                                      | 2850                                    | 1261              | 40000  | 1.50                               | HWKF 97 R57  | 4                 |
| 1.2                                      | 2490                                    | 1102              | 40000  | 1.70                               | HWKA 97 R57  | 4                 |
| 1.4                                      | 2160                                    | 957               | 40000  | 2.0                                | HWKAF 97 R57 | 4                 |
| 1.6                                      | 1930                                    | 855               | 40000  | 2.2                                |              |                   |
| 1.9                                      | 1620                                    | 743               | 40000  | 2.7                                |              |                   |
| 2.1                                      | 1430                                    | 652               | 40000  | 3.0                                |              |                   |
| 2.4                                      | 1280                                    | 273               | 40000  | 3.4                                |              |                   |
| 0.97                                     | 3200                                    | 1415              | 26600  | 0.85                               |              |                   |
| 1.1                                      | 2770                                    | 1229              | 27200  | 0.95                               |              |                   |
| 1.3                                      | 2420                                    | 1078              | 27600  | 1.10                               |              |                   |
| 1.5                                      | 2110                                    | 651               | 27900  | 1.30                               | HWK 87 R57   | 4                 |
| 1.6                                      | 1850                                    | 837               | 28200  | 1.45                               | HWKF 87 R57  | 4                 |
| 1.9                                      | 1600                                    | 726               | 28400  | 1.70                               | HWKA 87 R57  | 4                 |
| 2.2                                      | 1420                                    | 638               | 28500  | 1.90                               | HWKAF 87 R57 | 4                 |
| 2.5                                      | 1240                                    | 562               | 28600  | 2.2                                |              |                   |
| 2.9                                      | 1040                                    | 474               | 28800  | 2.6                                |              |                   |
| 3.2                                      | 940                                     | 426               | 28800  | 2.9                                |              |                   |
| 3.7                                      | 810                                     | 373               | 28900  | 3.3                                |              |                   |

| 输出转速<br>Output speed<br>$n_2$<br>[r/min] | 输出转矩<br>Output torque<br>$M_2$<br>[N·m] | 传动比<br>Ratio<br>i | 径向负荷<br>Permitted<br>overhung<br>load<br>$F_{Ra}$<br>[N] | 使用系数<br>Service<br>factor<br>$f_s$ | 机型号<br>Model | 电机极数<br>Pole<br>P |
|--|---|-------------------|--|------------------------------------|--------------|-------------------|
| <b>0.37kW</b>                            |   |                   |  |                                    |              |                   |
| 1.7                                      | 1860                                    | 815               | 10600  | 0.85                               |              |                   |
| 2.0                                      | 1580                                    | 709               | 15200  | 1.00                               |              |                   |
| 2.2                                      | 1380                                    | 622               | 16500  | 1.10                               |              |                   |
| 2.5                                      | 1230                                    | 552               | 17300  | 1.25                               |              |                   |
| 2.8                                      | 1080                                    | 485               | 18000  | 1.45                               |              |                   |
| 3.2                                      | 950                                     | 428               | 18500  | 1.60                               | HWK 77R37    | 4                 |
| 3.8                                      | 830                                     | 367               | 18900  | 1.85                               | HWKF 77R37   | 4                 |
| 4.2                                      | 735                                     | 328               | 19200  | 2.1                                | HWKA 77R37   | 4                 |
| 4.8                                      | 655                                     | 290               | 19400  | 2.4                                | HWKAF 77R37  | 4                 |
| 5.5                                      | 565                                     | 252               | 19600  | 2.8                                |              |                   |
| 6.2                                      | 495                                     | 221               | 19700  | 3.1                                |              |                   |
| 7.1                                      | 435                                     | 195               | 19800  | 3.5                                |              |                   |
| 7.9                                      | 390                                     | 175               | 19900  | 4.0                                |              |                   |
| 9.0                                      | 340                                     | 154               | 19900  | 4.5                                |              |                   |
| 3.3                                      | 940                                     | 420               | 9000   | 0.90                               |              |                   |
| 3.8                                      | 820                                     | 361               | 10300  | 1.00                               |              |                   |
| 4.3                                      | 725                                     | 323               | 11100  | 1.15                               |              |                   |
| 4.9                                      | 625                                     | 279               | 11800  | 1.30                               | HWK 67R37    | 4                 |
| 5.6                                      | 550                                     | 246               | 12200  | 1.50                               | HWKF 67R37   | 4                 |
| 6.3                                      | 485                                     | 217               | 12500  | 1.70                               | HWKA 67R37   | 4                 |
| 7.2                                      | 430                                     | 191               | 12700  | 1.90                               | HWKAF 67R37  | 4                 |
| 8.3                                      | 370                                     | 166               | 12900  | 2.2                                |              |                   |
| 9.6                                      | 320                                     | 144               | 13000  | 2.5                                |              |                   |
| 11                                       | 275                                     | 122               | 13000  | 3.0                                |              |                   |
| 4.9                                      | 625                                     | 280               | 7430   | 0.95                               |              |                   |
| 5.6                                      | 550                                     | 246               | 8040   | 1.10                               |              |                   |
| 6.4                                      | 480                                     | 215               | 8520   | 1.25                               |              |                   |
| 7.2                                      | 430                                     | 192               | 8750   | 1.40                               | HWK 57R37    | 4                 |
| 8.3                                      | 370                                     | 166               | 9000   | 1.60                               | HWKF 57R37   | 4                 |
| 9.6                                      | 325                                     | 145               | 9200   | 1.85                               | HWKA 57R37   | 4                 |
| 11                                       | 290                                     | 129               | 9320   | 2.1                                | HWKAF 57R37  | 4                 |
| 12                                       | 245                                     | 111               | 9480   | 2.4                                |              |                   |
| 14                                       | 215                                     | 97                | 9580   | 2.8                                |              |                   |
| 3.9                                      | 910                                     | 174.19            | 28800  | 3.0                                | HWK 87       | 8                 |
| 4.1                                      | 850                                     | 164.34            | 28900  | 3.2                                | HWKF 87      | 8                 |
| 4.6                                      | 765                                     | 147.32            | 28900  | 3.5                                | HWKA 87      | 8                 |
|  |   |                   |  |                                    | HWKAF 87     | 8                 |
| 4.6                                      | 775                                     | 197.37            | 28900  | 3.5                                | HWK 87       | 6                 |
| 5.2                                      | 685                                     | 174.19            | 28900  | 4.0                                | HWKF 87      | 6                 |
|  |   |                   |  |                                    | HWKA 87      | 6                 |
|  |   |                   |  |                                    | HWKAF 87     | 6                 |
| 5.0                                      | 705                                     | 135.28            | 19300  | 2.2                                | HWK 77       | 8                 |
| 5.3                                      | 670                                     | 128.52            | 19300  | 2.3                                | HWKF 77      | 8                 |
| 6.0                                      | 590                                     | 113.56            | 19500  | 2.6                                | HWKA 77      | 8                 |
| 7.0                                      | 505                                     | 97.05             | 19700  | 3.1                                | HWKAF 77     | 8                 |
| 5.8                                      | 605                                     | 154.05            | 19500  | 2.6                                | HWK 77       | 6                 |
| 6.7                                      | 530                                     | 135.28            | 19600  | 2.9                                | HWKF 77      | 6                 |
| 7.0                                      | 505                                     | 128.52            | 19700  | 3.1                                | HWKA 77      | 6                 |
| 7.9                                      | 445                                     | 113.56            | 19800  | 3.5                                | HWKAF 77     | 6                 |
| 7.2                                      | 490                                     | 192.18            | 19700  | 3.0                                | HWK 77       | 4                 |
| 7.7                                      | 460                                     | 179.37            | 19800  | 3.2                                | HWKF 77      | 4                 |
| 9.0                                      | 395                                     | 154.02            | 19900  | 3.9                                | HWKA 77      | 4                 |
|  |   |                   |  |                                    | HWKAF 77     | 4                 |
| 6.3                                      | 560                                     | 108.03            | 12100  | 1.45                               | HWK 67       | 8                 |
| 3.3                                      | 535                                     | 102.62            | 12300  | 1.55                               | HWKF 67      | 8                 |
| 7.6                                      | 470                                     | 90.04             | 12600  | 1.75                               | HWKA 67      | 8                 |
|  |   |                   |  |                                    | HWKAF 67     | 8                 |
| 7.3                                      | 485                                     | 123.54            | 12500  | 1.70                               | HWK 67       | 6                 |
| 8.3                                      | 425                                     | 108.03            | 12700  | 1.95                               | HWKF 67      | 6                 |
| 8.8                                      | 405                                     | 102.62            | 12800  | 2.0                                | HWKA 67      | 6                 |
| 10                                       | 355                                     | 90.04             | 13000  | 2.3                                |              |                   |

| 输出<br>转速<br>Output<br>speed<br>n <sub>2</sub><br>[r/min] | 输出<br>转矩<br>Output<br>torque<br>M <sub>2</sub><br>[N·m] | 传动<br>比<br>Ratio<br>i | 径向<br>负荷<br>Permitted<br>overhung<br>load<br>F <sub>ra</sub><br>[N] | 使用<br>系数<br>Service<br>factor<br>f <sub>s</sub> | 机型号<br>Model<br>P | 电机<br>极数<br>Pole<br>P |
|--|---|-----------------------|---|---|-------------------|-----------------------|
| <b>0.55kW</b>  |   |                       |   |   |                   |                       |
| 0.20   | 22400   | 6881                  | 109700  | 0.80  | HWK 157R97        | 4                     |
| 0.23   | 19300   | 5931                  | 111500  | 0.95  | HWKF 157R97       | 4                     |
| 0.34   | 13000   | 3979                  | 114400  | 1.40  | HWKA 157R97       | 4                     |
| 0.45   | 9940  | 3051                  | 115300  | 1.80  | HWKAF 157R97      | 4                     |
| 0.31   | 14900   | 4423                  | 76200   | 0.85  | HWK 127R77        | 4                     |
| 0.35   | 13000   | 3889                  | 79200   | 1.00  | HWK 127R77        | 4                     |
| 0.41   | 11100   | 3311                  | 80200   | 1.20  | HWKF 127R77       | 4                     |
| 0.45   | 10000   | 3009                  | 80700   | 1.30  | HWKA 127R77       | 4                     |
| 0.52   | 8630  | 2607                  | 81200   | 1.50  | HWKAF 127R77      | 4                     |
| 0.71   | 6560  | 1926                  | 81900   | 2.0   | HWK 127R77        | 4                     |
| 0.77   | 5980  | 1757                  | 82100   | 2.2   | HWK 127R77        | 4                     |
| 0.88   | 5220  | 1541                  | 82300   | 2.5   | HWKF 127R77       | 4                     |
| 1.0  | 4570  | 1342                  | 82400   | 2.8   | HWKA 127R77       | 4                     |
| 1.2  | 3990  | 1177                  | 82500   | 3.3   | HWKAF 127R77      | 4                     |
| 1.3  | 3490  | 1025                  | 82600   | 3.7   | HWKAF 127R77      | 4                     |
| 0.46   | 10100   | 2977                  | 65000   | 0.80  | HWK 107R77        | 4                     |
| 0.52   | 8770  | 2599                  | 65000   | 0.90  | HWKF 107R77       | 4                     |
| 0.59   | 7690  | 2286                  | 65000   | 1.05  | HWKA 107R77       | 4                     |
| 0.70   | 6520  | 1939                  | 65000   | 1.25  | HWKAF 107R77      | 4                     |
| 0.79   | 5850  | 1713                  | 65000   | 1.35  | HWK 107R77        | 4                     |
| 0.87   | 5310  | 1554                  | 65000   | 1.50  | HWK 107R77        | 4                     |
| 1.0  | 4570  | 1336                  | 65000   | 1.75  | HWK 107R77        | 4                     |
| 1.2  | 3990  | 1166                  | 65000   | 2.0   | HWKF 107R77       | 4                     |
| 1.3  | 3450  | 1030                  | 65000   | 2.3   | HWKA 107R77       | 4                     |
| 1.5  | 3000  | 904                   | 65000   | 2.7   | HWKAF 107R77      | 4                     |
| 1.7  | 2700  | 793                   | 65000   | 3.0   | HWKAF 107R77      | 4                     |
| 2.0  | 2360  | 696                   | 65000   | 3.4   | HWKAF 107R77      | 4                     |
| 2.2  | 2050  | 615                   | 65000   | 3.9   | HWKAF 107R77      | 4                     |
| 0.95   | 4880  | 1430                  | 40000   | 0.90  | HWK 97 R57        | 4                     |
| 1.1  | 4380  | 1261                  | 40000   | 1.00  | HWK 97 R57        | 4                     |
| 1.2  | 3820  | 1102                  | 40000   | 1.15  | HWKF 97 R57       | 4                     |
| 1.4  | 3320  | 957                   | 40000   | 1.30  | HWKA 97 R57       | 4                     |
| 1.6  | 2960  | 855                   | 40000   | 1.45  | HWKAF 97 R57      | 4                     |
| 1.8  | 2520  | 743                   | 40000   | 1.70  | HWKAF 97 R57      | 4                     |
| 2.1  | 2220  | 652                   | 40000   | 1.95  | HWKAF 97 R57      | 4                     |
| 2.4  | 1970  | 573                   | 40000   | 2.2   | HWKAF 97 R57      | 4                     |
| 2.7  | 1700  | 504                   | 40000   | 2.5   | HWKAF 97 R57      | 4                     |
| 3.1  | 1470  | 437                   | 40000   | 2.9   | HWKAF 97 R57      | 4                     |
| 3.6  | 1300  | 382                   | 40000   | 3.3   | HWKAF 97 R57      | 4                     |
| 4.5  | 1040  | 305                   | 40000   | 4.1   | HWKAF 97 R57      | 4                     |
| 1.4  | 3260  | 951                   | 26500   | 0.85  | HWK 87 R57        | 4                     |
| 1.6  | 2860  | 837                   | 27100   | 0.95  | HWK 87 R57        | 4                     |
| 1.9  | 2480  | 726                   | 27600   | 1.10  | HWK 87 R57        | 4                     |
| 2.1  | 2190  | 638                   | 27900   | 1.25  | HWK 87 R57        | 4                     |
| 2.4  | 1920  | 562                   | 28100   | 1.40  | HWK 87 R57        | 4                     |
| 2.9  | 1620  | 474                   | 28400   | 1.65  | HWK 87 R57        | 4                     |
| 3.2  | 1450  | 426                   | 28500   | 1.85  | HWK 87 R57        | 4                     |
| 3.7  | 1260  | 373                   | 28600   | 2.1   | HWK 87 R57        | 4                     |
| 4.1  | 1110  | 330                   | 28700   | 2.4   | HWK 87 R57        | 4                     |
| 4.6  | 990   | 294                   | 28800   | 2.7   | HWK 87 R57        | 4                     |
| 5.4  | 850   | 250                   | 28900   | 3.2   | HWK 87 R57        | 4                     |
| 5.8  | 800   | 236                   | 28900   | 3.4   | HWK 87 R57        | 4                     |
| 6.8  | 680   | 201                   | 28900   | 4.0   | HWK 87 R57        | 4                     |
| 2.5  | 1900  | 552                   | 5780  | 0.80  | HWK 77 R37        | 4                     |
| 2.8  | 1670  | 485                   | 14500   | 0.95  | HWK 77 R37        | 4                     |
| 3.2  | 1470  | 428                   | 15900   | 1.05  | HWK 77 R37        | 4                     |
| 3.7  | 1270  | 367                   | 17100   | 1.20  | HWK 77 R37        | 4                     |
| 4.2  | 1130  | 328                   | 17800   | 1.35  | HWK 77 R37        | 4                     |
| 4.7  | 1000  | 290                   | 18300   | 1.55  | HWK 77 R37        | 4                     |
| 5.4  | 870   | 252                   | 18800   | 1.80  | HWK 77 R37        | 4                     |
| 6.2  | 760   | 221                   | 19100   | 2.0   | HWK 77 R37        | 4                     |
| 7.0  | 670   | 195                   | 19300   | 2.3   | HWK 77 R37        | 4                     |
| 7.8  | 600   | 175                   | 19500   | 2.6   | HWK 77 R37        | 4                     |
| 8.8  | 530   | 154                   | 19600   | 2.9   | HWK 77 R37        | 4                     |

| 输出<br>转速<br>Output<br>speed<br>n <sub>2</sub><br>[r/min] | 输出<br>转矩<br>Output<br>torque<br>M <sub>2</sub><br>[N·m] | 传动<br>比<br>Ratio<br>i | 径向<br>负荷<br>Permitted<br>overhung<br>load<br>F <sub>ra</sub><br>[N] | 使用<br>系数<br>Service<br>factor<br>f <sub>s</sub> | 机型号<br>Model<br>P | 电机<br>极数<br>Pole<br>P |
|--|---|-----------------------|---|---|-------------------|-----------------------|
| <b>0.55kW</b>  |   |                       |   |   |                   |                       |
| 4.9  | 960   | 279                   | 7360  | 0.85  | HWK 67 R37        | 4                     |
| 5.5  | 840   | 246                   | 10100   | 0.95  | HWK 67 R37        | 4                     |
| 6.2  | 745   | 217                   | 10900   | 1.10  | HWK 67 R37        | 4                     |
| 7.1  | 660   | 191                   | 11500   | 1.25  | HWK 67 R37        | 4                     |
| 8.2  | 570   | 166                   | 12100   | 1.45  | HWK 67 R37        | 4                     |
| 9.4  | 495   | 144                   | 12400   | 1.65  | HWK 67 R37        | 4                     |
| 11   | 420   | 122                   | 12700   | 1.95  | HWK 67 R37        | 4                     |
| 7.1  | 660   | 192                   | 5180  | 0.90  | HWK 57 R37        | 4                     |
| 8.2  | 575   | 166                   | 7850  | 1.05  | HWK 57 R37        | 4                     |
| 9.4  | 495   | 145                   | 8430  | 1.20  | HWK 57 R37        | 4                     |
| 11   | 445   | 129                   | 8680  | 1.35  | HWK 57 R37        | 4                     |
| 12   | 380   | 111                   | 8970  | 1.60  | HWK 57 R37        | 4                     |
| 14   | 335   | 97                    | 9150  | 1.80  | HWK 57 R37        | 4                     |
| 3.9  | 1350  | 174.19                | 28600   | 2.0   | HWK 87            | 8                     |
| 4.1  | 1270  | 164.34                | 28600   | 2.1   | HWK 87            | 8                     |
| 4.6  | 1140  | 147.32                | 28700   | 2.4   | HWK 87            | 8                     |
| 4.6  | 1150  | 197.37                | 28700   | 2.3   | HWK 87            | 6                     |
| 5.2  | 1020  | 174.19                | 28800   | 2.7   | HWK 87            | 6                     |
| 5.5  | 960   | 164.34                | 28800   | 2.8   | HWK 87            | 6                     |
| 6.1  | 860   | 147.32                | 28900   | 3.1   | HWK 87            | 6                     |
| 5.0  | 1040  | 135.28                | 18100   | 1.50  | HWK 77            | 8                     |
| 5.3  | 990   | 128.52                | 18300   | 1.55  | HWK 77            | 8                     |
| 6.0  | 880   | 113.56                | 18700   | 1.75  | HWK 77            | 8                     |
| 7.0  | 750   | 97.05                 | 19100   | 2.1   | HWK 77            | 8                     |
| 5.8  | 900   | 154.02                | 18700   | 1.70  | HWK 77            | 6                     |
| 6.7  | 790   | 135.28                | 19000   | 1.95  | HWK 77            | 6                     |
| 7.0  | 750   | 128.52                | 19100   | 2.1   | HWK 77            | 6                     |
| 7.9  | 665   | 113.56                | 19400   | 2.3   | HWK 77            | 6                     |
| 8.8  | 595   | 154.02                | 19500   | 2.6   | HWK 77            | 4                     |
| 10   | 520   | 135.28                | 19700   | 3.0   | HWK 77            | 4                     |
| 11   | 495   | 128.52                | 19700   | 3.1   | HWK 77            | 4                     |
| 12   | 440   | 113.56                | 19800   | 3.5   | HWK 77            | 4                     |
| 14   | 375   | 97.05                 | 19900   | 4.1   | HWK 77            | 4                     |
| 7.3  | 720   | 123.54                | 11100   | 1.15  | HWK 67            | 6                     |
| 8.3  | 630   | 108.03                | 11700   | 1.30  | HWK 67            | 6                     |
| 8.8  | 600   | 102.62                | 11900   | 1.35  | HWK 67            | 6                     |
| 10   | 525   | 90.04                 | 12300   | 1.55  | HWK 67            | 6                     |
| 12   | 445   | 76.37                 | 12600   | 1.85  | HWK 67            | 6                     |
| 11   | 475   | 123.54                | 12500   | 1.70  | HWK 67            | 4                     |
| 13   | 415   | 108.03                | 12800   | 1.95  | HWK 67            | 4                     |
| 15   | 350   | 90.04                 | 13000   | 2.4   | HWK 67            | 4                     |
| 18   | 295   | 76.37                 | 13000   | 2.8   | HWK 67            | 4                     |
| 8.3  | 630   | 108.29                | 7360  | 0.95  | HWK 57            | 6                     |
| 8.8  | 600   | 102.88                | 7630  | 1.00  | HWK 57            | 6                     |
| 10   | 525   | 90.26                 | 8220  | 1.15  | HWK 57            | 6                     |
| 12   | 445   | 76.56                 | 8670  | 1.35  | HWK 57            | 6                     |
| 13   | 405   | 69.12                 | 8870  | 1.50  | HWK 57            | 6                     |
| 15   | 355   | 60.81                 | 9070  | 1.70  | HWK 57            | 6                     |
| 16   | 335   | 57.42                 | 9150  | 1.80  | HWK 57            | 6                     |
| 11   | 480   | 123.85                | 8520  | 1.25  | HWK 57            | 4                     |
| 13   | 420   | 108.29                | 8800  | 1.45  | HWK 57            | 4                     |
| 13   | 395   | 102.88                | 8890  | 1.50  | HWK 57            | 4                     |
| 15   | 350   | 90.26                 | 9100  | 1.70  | HWK 57            | 4                     |
| 18   | 295   | 76.56                 | 9300  | 2.0   | HWK 57            | 4                     |
| 20   | 265   | 69.12                 | 9410  | 2.2   | HWK 57            | 4                     |
| 22   | 235   | 60.81                 | 9520  | 2.6   | HWK 57            | 4                     |
| 24   | 220   | 57.42                 | 9560  | 2.7   | HWK 57            | 4                     |
| 13   | 405   | 104.37                | 5880  | 1.00  | HWK 47            | 4                     |
| 15   | 350   | 90.86                 | 6550  | 1.15  | HWK 47            | 4                     |
| 16   | 330   | 85.12                 | 6790  | 1.20  | HWK 47            | 4                     |
| 18   | 290   | 75.20                 | 7150  | 1.40  | HWK 47            | 4                     |
| 19   | 270   | 69.84                 | 7310  | 1.50  | HWK 47            | 4                     |

| 输出<br>转速<br>Output<br>speed<br>n <sub>2</sub><br>[r/min] | 输出<br>转矩<br>Output<br>torque<br>M <sub>2</sub><br>[N·m] | 传动<br>比<br>Ratio<br>i | 径向<br>负荷<br>Permitted<br>overhung<br>load<br>F <sub>ra</sub><br>[N] | 使用<br>系数<br>Service<br>factor<br>f <sub>s</sub> | 机型号<br>Model<br>P | 电机<br>极数<br>Pole<br>P |
|--|---|-----------------------|---|---|-------------------|-----------------------|
| <b>0.55kW</b>  |   |                       |   |   |                   |                       |
| 21   | 245   | 63.30                 | 7500  | 1.65  | HWK 47            | 4                     |
| 24   | 220   | 56.83                 | 7660  | 1.80  | HWK 47            | 4                     |
| 28   | 189   | 48.95                 | 7830  | 2.1   | HWK 47            | 4                     |
| 30   | 178   | 46.03                 | 7880  | 2.2   | HWK 47            | 4                     |
| 23   | 225   | 58.60                 | 4850  | 0.90  | HWK 37            | 4                     |
| 27   | 192   | 49.79                 | 4790  | 1.05  | HWK 37            | 4                     |
| 31   | 172   | 44.46                 | 4740  | 1.15  | HWK 37            | 4                     |
| 36   | 147   | 37.97                 | 4640  | 1.35  | HWK 37            | 4                     |
| 38   | 137   | 35.57                 | 4600  | 1.45  | HWK 37            | 4                     |
| 45   | 116   | 29.96                 | 4470  | 1.75  | HWK 37            | 4                     |
| 47   | 111   | 28.83                 | 4440  | 1.80  | HWK 37            | 4                     |
| 54   | 97  | 24.99                 | 4320  | 2.1   | HWK 37            | 4                     |
| 58   | 90  | 23.36                 | 4260  | 2.2   | HWK 37            | 4                     |
| 67   | 78  | 20.19                 | 4130  | 2.4   | HWK 37            | 4                     |
| 79   | 66  | 17.15                 | 3980  | 2.7   | HWK 37            | 4                     |
| 89   | 59  | 15.31                 | 3880  | 3.0   | HWK 37            | 4                     |
| 104  | 54  | 13.08                 | 3730  | 3.3   | HWK 37            | 4                     |
| 112  | 47  | 12.14                 | 3660  | 3.4   | HWK 37            | 4                     |
| 130  | 41  | 10.49                 | 3520  | 4.0   | HWK 37            | 4                     |
| 153  | 34  | 8.91                  | 3370  | 4.7   | HWK 37            | 4                     |
| 171  | 31  | 7.96                  | 3270  | 5.1   | HWK 37            | 4                     |
| 200  | 26  | 6.80                  | 3130  | 5.7   | HWK 37            | 4                     |
| 214  | 25  | 6.37                  | 3070  | 5.9   | HWK 37            | 4                     |
| 254  | 21  | 5.36                  | 2920  | 6.8   | HWK 37            | 4                     |
| <b>0.75kW</b>  |   |                       |   |   |                   |                       |
| 0.11   | 58400   | 13116                 | 175300  | 0.85  | HWK 187R97        | 4                     |
| 0.12   | 51500   | 11647                 | 187300  | 0.95  | HWK 187R97        | 4                     |
| 0.19   | 32800   | 7343                  | 190000  | 1.50  | HWK 187R97        | 4                     |
| 1.20   | 30000   | 6747                  | 190000  | 1.65  | HWK 187R97        | 4                     |
| 0.23   | 26500   | 5991                  | 190000  | 1.90  | HWK 187R97        | 4                     |
| 0.16   | 38600   | 8628                  | 150000  | 0.85  | HWK 167R97        | 4                     |
| 0.21   | 29300   | 6562                  | 150000  | 1.10  | HWK 167R97        | 4                     |
| 0.26   | 23700   | 5355                  | 150000  | 1.35  | HWK 167R97        | 4                     |
| 0.34   | 18200   | 4079                  | 150000  | 1.75  | HWK 167R97        | 4                     |
| 0.41   | 15100   | 3376                  | 150000  | 2.1   | HWK 167R97        | 4                     |
| 0.35   | 17800   | 3979                  | 112300  | 1.00  | HWK 157R97        | 4                     |
| 0.45   | 13600   | 3051                  | 114100  | 1.30  | HWK 157R97        | 4                     |
| 0.35   | 17800   | 3979                  | 112300  | 1.00  | HWK 157R97        | 4                     |
| 0.45   | 13600   | 3051                  | 114100  | 1.30  | HWK 157R97        | 4                     |
| 0.83   | 7440  | 1659                  | 115900  | 2.4   | HWK 157R97        | 4                     |
| 1.0  | 6040  | 1365                  | 116200  | 3.0   | HWK 157R97        | 4                     |
| 0.42   | 15100   | 3311                  | 75800   | 0.85  | HWK 127R77        | 4                     |
| 0.46   | 13700   | 3009                  | 78600   | 0.95  | HWK 127R77        | 4                     |
| 0.53   | 11800   | 2607                  | 79800   | 1.10  | HWK 127R77        | 4                     |
| 0.72   |   |                       |   |   |                   |                       |

| 输出转速<br>Output speed<br>$n_2$<br>[r/min] | 输出转矩<br>Output torque<br>$M_2$<br>[N·m] | 传动比<br>Ratio<br>$i$ | 径向负荷<br>Permitted load<br>$F_{ra}$<br>[N] | 使用系数<br>Service factor<br>$f_s$ | 机型号<br>Model | 电机极数<br>Pole<br>P |
|--|---|---------------------|---|---------------------------------|--------------|-------------------|
| <b>0.75kW</b>                            |   |                     |   |                                 |              |                   |
| 11                                       | 645                                     | 123.85              | 7130                                      | 0.95                            |              |                   |
| 13                                       | 560                                     | 108.29              | 7940                                      | 1.05                            |              |                   |
| 13                                       | 535                                     | 102.88              | 8160                                      | 1.10                            |              |                   |
| 15                                       | 470                                     | 90.26               | 8570                                      | 1.30                            | HWK 57       | 4                 |
| 18                                       | 395                                     | 76.56               | 8890                                      | 1.50                            | HWKF 57      | 4                 |
| 20                                       | 360                                     | 69.12               | 9060                                      | 1.65                            | HWKA 57      | 4                 |
| 23                                       | 315                                     | 60.81               | 9230                                      | 1.90                            | HWKAF57      | 4                 |
| 24                                       | 300                                     | 57.42               | 9290                                      | 2.0                             |              |                   |
| 28                                       | 255                                     | 48.89               | 9450                                      | 2.4                             |              |                   |
| 31                                       | 230                                     | 44.43               | 9530                                      | 2.6                             |              |                   |
| 18                                       | 390                                     | 75.20               | 6060                                      | 1.00                            | HWK 47       | 4                 |
| 20                                       | 365                                     | 69.84               | 6410                                      | 1.10                            | HWKF 47      | 4                 |
| 22                                       | 330                                     | 63.30               | 6790                                      | 1.20                            | HWKA 47      | 4                 |
|  |   |                     |   |                                 | HWKAF47      | 4                 |
| 24                                       | 295                                     | 56.83               | 7110                                      | 1.35                            |              |                   |
| 28                                       | 255                                     | 48.95               | 7430                                      | 1.55                            | HWK 47       | 4                 |
| 30                                       | 240                                     | 46.03               | 7540                                      | 1.65                            | HWKF 47      | 4                 |
| 35                                       | 205                                     | 39.61               | 7740                                      | 1.95                            | HWKA 47      | 4                 |
| 39                                       | 184                                     | 35.39               | 7760                                      | 2.2                             | HWKAF47      | 4                 |
| 44                                       | 162                                     | 31.30               | 7550                                      | 2.5                             |              |                   |
| 31                                       | 230                                     | 44.46               | 4170                                      | 0.85                            |              |                   |
| 36                                       | 197                                     | 37.97               | 4150                                      | 1.00                            |              |                   |
| 39                                       | 185                                     | 35.57               | 4140                                      | 1.10                            |              |                   |
| 46                                       | 156                                     | 29.96               | 4080                                      | 1.30                            |              |                   |
| 48                                       | 150                                     | 28.83               | 4060                                      | 1.35                            |              |                   |
| 55                                       | 130                                     | 24.99               | 3990                                      | 1.55                            |              |                   |
| 59                                       | 121                                     | 23.36               | 3950                                      | 1.60                            |              |                   |
| 68                                       | 105                                     | 20.19               | 3860                                      | 1.75                            | HWK 37       | 4                 |
| 80                                       | 89                                      | 17.15               | 3750                                      | 2.0                             | HWKF 37      | 4                 |
| 90                                       | 80                                      | 15.31               | 3670                                      | 2.2                             | HWKA 37      | 4                 |
| 105                                      | 68                                      | 13.08               | 3550                                      | 2.4                             | HWKAF37      | 4                 |
| 114                                      | 63                                      | 12.14               | 3500                                      | 2.5                             |              |                   |
| 132                                      | 54                                      | 10.49               | 3380                                      | 2.9                             |              |                   |
| 155                                      | 46                                      | 8.91                | 3250                                      | 3.5                             |              |                   |
| 173                                      | 41                                      | 7.96                | 3160                                      | 3.8                             |              |                   |
| 203                                      | 35                                      | 6.80                | 3030                                      | 4.2                             |              |                   |
| 217                                      | 33                                      | 6.37                | 2980                                      | 4.4                             |              |                   |
| 257                                      | 28                                      | 5.36                | 2840                                      | 5.0                             |              |                   |
| <b>1.1kW</b>                             |   |                     |   |                                 |              |                   |
| 0.15                                     | 60700                                   | 9636                | 171000                                    | 0.80                            |              |                   |
| 0.17                                     | 52400                                   | 8126                | 185900                                    | 0.95                            |              |                   |
| 0.19                                     | 48300                                   | 7343                | 190000                                    | 1.05                            |              |                   |
| 0.21                                     | 44300                                   | 6747                | 190000                                    | 1.15                            |              |                   |
| 0.23                                     | 39200                                   | 5991                | 190000                                    | 1.30                            |              |                   |
| 0.26                                     | 34900                                   | 5358                | 190000                                    | 1.45                            |              |                   |
| 0.29                                     | 31200                                   | 4817                | 190000                                    | 1.60                            |              |                   |
| 0.32                                     | 28300                                   | 4370                | 190000                                    | 1.75                            |              |                   |
| 0.26                                     | 35000                                   | 5355                | 150000                                    | 0.90                            |              |                   |
| 0.29                                     | 31200                                   | 4788                | 150000                                    | 1.05                            |              |                   |
| 0.34                                     | 26800                                   | 4079                | 150000                                    | 1.20                            |              |                   |
| 0.41                                     | 22200                                   | 3376                | 150000                                    | 1.45                            |              |                   |
| 0.51                                     | 18000                                   | 2755                | 150000                                    | 1.80                            |              |                   |
| 0.64                                     | 14600                                   | 2182                | 150000                                    | 2.2                             |              |                   |
| 0.82                                     | 11300                                   | 1704                | 150000                                    | 2.8                             |              |                   |
| 0.99                                     | 9330                                    | 1408                | 150000                                    | 3.4                             |              |                   |
| 1.1                                      | 8560                                    | 1296                | 150000                                    | 3.7                             |              |                   |

| 输出转速<br>Output speed<br>$n_2$<br>[r/min] | 输出转矩<br>Output torque<br>$M_2$<br>[N·m] | 传动比<br>Ratio<br>$i$ | 径向负荷<br>Permitted load<br>$F_{ra}$<br>[N] | 使用系数<br>Service factor<br>$f_s$ | 机型号<br>Model | 电机极数<br>Pole<br>P |
|--|---|---------------------|---|---------------------------------|--------------|-------------------|
| <b>1.1kW</b>                             |   |                     |   |                                 |              |                   |
| 0.40                                     | 22900                                   | 3516                | 109300                                    | 0.80                            | HWK 157R97   | 4                 |
| 0.46                                     | 20100                                   | 3051                | 111100                                    | 0.90                            | HWKF 157R97  | 4                 |
| 0.54                                     | 16900                                   | 2610                | 112700                                    | 1.05                            | HWKA 157R97  | 4                 |
| 0.60                                     | 15100                                   | 2322                | 113500                                    | 1.20                            | HWKAF 157R97 | 4                 |
| 0.84                                     | 11000                                   | 1659                | 115000                                    | 1.65                            |              |                   |
| 1.0                                      | 8970                                    | 1365                | 115600                                    | 2.0                             | HWK 157R97   | 4                 |
| 1.1                                      | 8030                                    | 1229                | 115800                                    | 2.2                             | HWKF 157R97  | 4                 |
| 1.3                                      | 7150                                    | 1093                | 116000                                    | 2.5                             | HWKA 157R97  | 4                 |
| 1.5                                      | 6160                                    | 942                 | 116100                                    | 2.9                             | HWKAF 157R97 | 4                 |
| 1.6                                      | 5550                                    | 854                 | 116200                                    | 3.2                             |              |                   |
| 0.73                                     | 13100                                   | 1926                | 79100                                     | 1.00                            |              |                   |
| 0.80                                     | 11900                                   | 1757                | 79800                                     | 1.10                            |              |                   |
| 0.91                                     | 10400                                   | 1541                | 80500                                     | 1.25                            |              |                   |
| 1.0                                      | 9100                                    | 1342                | 81100                                     | 1.45                            |              |                   |
| 1.2                                      | 7960                                    | 1177                | 81500                                     | 1.65                            | HWK 127R77   | 4                 |
| 1.4                                      | 6950                                    | 1025                | 81800                                     | 1.85                            | HWKF 127R77  | 4                 |
| 1.6                                      | 6080                                    | 899                 | 82000                                     | 2.1                             | HWKA 127R77  | 4                 |
| 1.8                                      | 5270                                    | 790                 | 82200                                     | 2.5                             | HWKAF 127R77 | 4                 |
| 2.0                                      | 4740                                    | 704                 | 82400                                     | 2.7                             |              |                   |
| 2.3                                      | 4090                                    | 610                 | 82500                                     | 3.2                             |              |                   |
| 2.5                                      | 3690                                    | 549                 | 82500                                     | 3.5                             |              |                   |
| 2.9                                      | 3180                                    | 477                 | 82600                                     | 4.1                             |              |                   |
| 1.2                                      | 7920                                    | 1166                | 65000                                     | 1.00                            |              |                   |
| 1.4                                      | 6920                                    | 1030                | 65000                                     | 1.15                            |              |                   |
| 1.5                                      | 6050                                    | 904                 | 65000                                     | 1.30                            |              |                   |
| 1.8                                      | 5380                                    | 793                 | 65000                                     | 1.50                            | HWK 107R77   | 4                 |
| 2.0                                      | 4700                                    | 696                 | 65000                                     | 1.70                            | HWKF 107R77  | 4                 |
| 2.3                                      | 4120                                    | 615                 | 65000                                     | 1.95                            | HWKA 107R77  | 4                 |
| 2.7                                      | 3500                                    | 522                 | 65000                                     | 2.3                             | HWKAF 107R77 | 4                 |
| 3.0                                      | 3080                                    | 461                 | 65000                                     | 2.6                             |              |                   |
| 3.4                                      | 2720                                    | 408                 | 65000                                     | 2.9                             |              |                   |
| 3.8                                      | 2450                                    | 364                 | 65000                                     | 3.3                             |              |                   |
| 4.4                                      | 2140                                    | 318                 | 65000                                     | 3.7                             |              |                   |
| 1.9                                      | 5030                                    | 743                 | 39900                                     | 0.85                            |              |                   |
| 2.2                                      | 4420                                    | 652                 | 40000                                     | 0.95                            | HWK 97 R57   | 4                 |
| 2.4                                      | 3910                                    | 573                 | 40000                                     | 1.10                            | HWKF 97 R57  | 4                 |
| 2.8                                      | 3400                                    | 504                 | 40000                                     | 1.25                            | HWKA 97 R57  | 4                 |
| 3.2                                      | 2940                                    | 437                 | 40000                                     | 1.45                            | HWKAF 97 R57 | 4                 |
| 3.7                                      | 2590                                    | 382                 | 40000                                     | 1.65                            |              |                   |
| 4.1                                      | 2300                                    | 342                 | 40000                                     | 1.85                            |              |                   |
| 3.0                                      | 3220                                    | 474                 | 26600                                     | 0.85                            |              |                   |
| 3.3                                      | 2890                                    | 426                 | 27000                                     | 0.95                            |              |                   |
| 3.8                                      | 2520                                    | 373                 | 27500                                     | 1.05                            | HWK 87 R57   | 4                 |
| 4.2                                      | 2230                                    | 330                 | 27800                                     | 1.20                            | HWKF 87 R57  | 4                 |
| 4.8                                      | 1980                                    | 294                 | 28100                                     | 1.35                            | HWKA 87 R57  | 4                 |
| 5.6                                      | 1700                                    | 250                 | 28300                                     | 1.60                            | HWKAF 87 R57 | 4                 |
| 5.9                                      | 1600                                    | 236                 | 28400                                     | 1.70                            |              |                   |
| 7.0                                      | 1360                                    | 201                 | 28600                                     | 2.0                             |              |                   |
| 3.9                                      | 2720                                    | 176.05              | 40000                                     | 1.60                            | HWK 97       | 8                 |
| 4.4                                      | 2370                                    | 153.21              | 40000                                     | 1.80                            | HWKF 97      | 8                 |
| 4.8                                      | 2170                                    | 140.28              | 40000                                     | 2.0                             | HWKA 97      | 8                 |
| 5.5                                      | 1910                                    | 123.93              | 40000                                     | 2.2                             | HWKAF 97     | 8                 |
| 5.2                                      | 2010                                    | 176.05              | 40000                                     | 2.1                             | HWK 97       | 6                 |
| 6.0                                      | 1750                                    | 153.21              | 40000                                     | 2.5                             | HWKF 97      | 6                 |
| 6.6                                      | 1600                                    | 140.28              | 40000                                     | 2.7                             | HWKA 97      | 6                 |
| 7.4                                      | 1420                                    | 123.93              | 40000                                     | 3.0                             | HWKAF 97     | 6                 |
| 7.9                                      | 1320                                    | 176.05              | 40000                                     | 3.3                             | HWK 97       | 4                 |
| 9.1                                      | 1150                                    | 153.21              | 40000                                     | 3.7                             | HWKF 97      | 4                 |
| 10                                       | 1050                                    | 140.28              | 40000                                     | 4.1                             | HWKA 97      | 4                 |
| 5.3                                      | 1990                                    | 174.19              | 28100                                     | 1.35                            | HWK 87       | 6                 |
| 5.6                                      | 1880                                    | 164.34              | 28200                                     | 1.45                            | HWKF 87      | 6                 |
| 6.2                                      | 1680                                    | 147.32              | 28300                                     | 1.60                            | HWKA 87      | 6                 |
| 7.2                                      | 1450                                    | 126.91              | 28500                                     | 1.85                            | HWKAF 87     | 6                 |

| 输出转速<br>Output speed<br>$n_2$<br>[r/min] | 输出转矩<br>Output torque<br>$M_2$<br>[N·m] | 传动比<br>Ratio<br>$i$ | 径向负荷<br>Permitted load<br>$F_{ra}$<br>[N] | 使用系数<br>Service factor<br>$f_s$ | 机型号<br>Model | 电机极数<br>Pole<br>P |
|--|---|---------------------|---|---------------------------------|--------------|-------------------|
| <b>1.1kW</b>                             |   |                     |   |                                 |              |                   |
| 8.0                                      | 1310                                    | 174.19              | 28600                                     | 2.1                             | HWK 87       | 4                 |
| 8.5                                      | 1230                                    | 164.34              | 28700                                     | 2.2                             | HWKF 87      | 4                 |
| 9.5                                      | 1110                                    | 147.32              | 28700                                     | 2.4                             | HWKA 87      | 4                 |
| 11                                       | 950                                     | 126.91              | 28800                                     | 2.8                             | HWKAF 87     | 4                 |
| 12                                       | 870                                     | 115.82              | 28800                                     | 3.1                             |              |                   |
| 6.8                                      | 1540                                    | 135.28              | 15400                                     | 1.00                            | HWK 77       | 6                 |
| 7.2                                      | 1470                                    | 128.52              | 15900                                     | 1.05                            | HWKF 77      | 6                 |
| 8.1                                      | 1300                                    | 113.56              | 17000                                     | 1.20                            | HWKA 77      | 6                 |
| 9.5                                      | 1110                                    | 97.05               | 17900                                     | 1.40                            | HWKAF 77     | 6                 |
| 10                                       | 1020                                    | 135.28              | 18300                                     | 1.55                            | HWK 77       | 4                 |
| 11                                       | 960                                     | 128.52              | 18400                                     | 1.60                            | HWKF 77      | 4                 |
| 12                                       | 850                                     | 113.56              | 18800                                     | 1.80                            | HWKA 77      | 4                 |
|  |   |                     |   |                                 | HWKAF 77     | 4                 |
| 14                                       | 730                                     | 97.05               | 19200                                     | 2.1                             | HWK 77       | 4                 |
| 16                                       | 670                                     | 88.97               | 19300                                     | 2.3                             | HWKF 77      | 4                 |
| 18                                       | 585                                     | 78.07               | 19500                                     | 2.7                             | HWKA 77      | 4                 |
| 19                                       | 555                                     | 73.99               | 19600                                     | 2.8                             | HWKAF 77     | 4                 |
| 13                                       | 810                                     | 108.03              | 10400                                     | 1.00                            | HWK 67       | 4                 |
| 14                                       | 770                                     | 102.62              | 10700                                     | 1.05                            | HWKF 67      | 4                 |
| 16                                       | 675                                     | 90.04               | 11400                                     | 1.20                            | HWKA 67      | 4                 |
| 18                                       | 575                                     | 76.37               | 12000                                     | 1.45                            | HWKAF 67     | 4                 |
| 20                                       | 515                                     | 68.95               | 12300                                     | 1.60                            |              |                   |
| 23                                       | 455                                     | 60.66               | 12600                                     | 1.80                            | HWK 67       | 4                 |
| 24                                       | 430                                     | 57.28               | 12700                                     | 1.90                            | HWKF 67      | 4                 |
| 29                                       | 365                                     | 48.77               | 12900                                     | 2.2                             | HWKA 67      | 4                 |
| 32                                       | 335                                     | 44.32               | 13000                                     | 2.5                             | HWKAF 67     | 4                 |
| 36                                       | 290                                     | 38.39               | 13000                                     | 2.8                             |              |                   |
| 16                                       | 675                                     | 90.26               | 2410                                      | 0.90                            |              |                   |
| 18                                       | 575                                     | 76.56               | 7840                                      | 1.05                            |              |                   |
| 20                                       | 520                                     | 69.12               | 8280                                      | 1.15                            |              |                   |
| 23                                       | 455                                     | 60.81               | 8630                                      | 1.30                            |              |                   |
| 24                                       | 430                                     | 57.42               | 8750                                      | 1.40                            |              |                   |
| 29                                       | 365                                     | 48.89               | 9020                                      | 1.65                            |              |                   |
| 32                                       | 335                                     | 44.43               | 9160                                      | 1.80                            |              |                   |
| 36                                       | 290                                     | 38.49               | 9330                                      | 2.1                             |              |                   |
| 39                                       | 270                                     | 35.70               | 9400                                      | 2.2                             |              |                   |
| 46                                       | 225                                     | 30.28               | 9540                                      | 2.6                             |              |                   |
| 51                                       | 205                                     | 27.34               | 9510                                      | 2.9                             |              |                   |
| 58                                       | 181                                     | 24.05               | 9220                                      | 3.3                             |              |                   |
| 62                                       | 170                                     | 22.71               | 9090                                      | 3.5                             |              |                   |
| 72                                       | 145                                     | 19.34               | 8720                                      | 4.0                             |              |                   |
| 80                                       | 132                                     | 17.57               | 8510                                      | 4.2                             |              |                   |
| 92                                       | 114                                     | 15.22               | 8180                                      | 4.7                             |              |                   |
| 106                                      | 99                                      | 13.25               | 7880                                      | 5.1                             |              |                   |
| 117                                      | 90                                      | 11.92               | 7570                                      | 4.6                             |              |                   |
| 124                                      | 85                                      | 11.26               | 7450                                      | 4.9                             |              |                   |
| 146                                      | 72                                      | 9.59                | 7120                                      | 5.6                             |              |                   |
| 161                                      | 65                                      | 8.71                | 6930                                      | 6.0                             |              |                   |
| 186                                      | 57                                      | 7.55                | 6650                                      | 6.4                             |              |                   |
| 213                                      | 49                                      | 6.57                | 6380                                      | 7.0                             |              |                   |
| 25                                       | 425                                     | 56.83               | 3310                                      | 0.95                            | HWK 47       | 4                 |
| 29                                       | 365                                     | 48.95               | 3360                                      | 1.10                            | HWKF 47      | 4                 |
| 30                                       | 345                                     | 46.03               | 6610                                      | 1.15                            | HWKA 47      | 4                 |
|  |   |                     |   |                                 | HWKAF 47     | 4                 |
| 35                                       | 295                                     | 39.61               | 7090                                      | 1.35                            |              |                   |
| 40                                       | 265                                     | 35.39               | 7090                                      | 1.50                            |              |                   |
| 45                                       | 235                                     | 31.30               | 6960                                      | 1.70                            |              |                   |
| 48                                       | 220                                     | 29.32               | 6890                                      | 1.80                            |              |                   |
| 54                                       | 194                                     | 25.91               | 6730                                      | 2.1                             |              |                   |
| 64                                       | 164                                     | 21.81               | 6510                                      | 2.4                             |              |                   |
| 72                                       | 147                                     | 19.58               | 6360                                      | 2.7                             |              |                   |

| 输出转速<br>Output speed<br>$n_2$<br>[r/min] | 输出转矩<br>Output torque<br>$M_2$<br>[N·m] | 传动比<br>Ratio<br>$i$ | 径向负荷<br>Permitted load<br>$F_{ra}$<br>[N] | 使用系数<br>Service factor<br>$f_s$ | 机型号<br>Model | 电机极数<br>Pole<br>P |
|--|---|---------------------|---|---------------------------------|--------------|-------------------|
| <b>1.1kW</b>                             |   |                     |   |                                 |              |                   |
| 47                                       | 225                                     | 29.96               | 3420                                      | 0.90                            |              |                   |
| 56                                       | 188                                     | 24.99               | 3440                                      | 1.05                            |              |                   |
| 60                                       | 175                                     | 23.36               | 3440                                      | 1.10                            |              |                   |
| 69                                       | 152                                     | 20.19               | 3420                                      | 1.20                            |              |                   |
| 82                                       | 129                                     | 17.15               | 3370                                      | 1.40                            |              |                   |
| 91                                       | 115                                     | 15.31               | 3330                                      | 1.50                            |              |                   |

| 输出<br>转速<br>Output<br>speed<br>$n_2$<br>[r/min] | 输出<br>转矩<br>Output<br>torque<br>$M_2$<br>[N·m] | 传动<br>比<br>Ratio<br>$i$ | 径向<br>负荷<br>Permitted<br>overhung<br>load<br>$F_{rs}$<br>[N] | 使用<br>系数<br>Service<br>factor<br>$f_s$ | 机型号<br>Model | 电机<br>极数<br>Pole<br>P |
|---|--|-------------------------|--|--|--------------|-----------------------|
| <b>1.5kW</b>                                    |  |                         |  |  |              |                       |
| 1.4   | 9460   | 1030                    | 65000  | 0.85                                   |              |                       |
| 1.6   | 8280   | 904                     | 65000  | 0.95                                   |              |                       |
| 1.8   | 7330   | 739                     | 65000  | 1.10                                   | HWK 107R77   | 4                     |
| 2.0   | 6420   | 696                     | 65000  | 1.25                                   | HWKF 107R77  | 4                     |
| 2.3   | 5640   | 615                     | 65000  | 1.40                                   | HWKA 107R77  | 4                     |
| 2.7   | 4780   | 522                     | 65000  | 1.65                                   | HWKAF 107R77 | 4                     |
| 3.1   | 4210   | 461                     | 65000  | 1.90                                   |              |                       |
| 3.5   | 3720   | 408                     | 65000  | 2.2                                    |              |                       |
| 3.9   | 3350   | 364                     | 65000  | 2.4                                    |              |                       |
| 4.4   | 2920   | 318                     | 65000  | 2.7                                    |              |                       |
| 2.5   | 5320   | 573                     | 39500  | 0.80                                   |              |                       |
| 2.8   | 4650   | 504                     | 40000  | 0.95                                   |              |                       |
| 3.2   | 4020   | 437                     | 40000  | 1.05                                   | HWK 97 R57   | 4                     |
| 3.7   | 3540   | 382                     | 40000  | 1.20                                   | HWKF 97 R57  | 4                     |
| 4.1   | 3140   | 342                     | 40000  | 1.35                                   | HWKA 97 R57  | 4                     |
| 4.6   | 2820   | 305                     | 40000  | 1.50                                   | HWKAF 97 R57 | 4                     |
| 5.5   | 2380   | 258                     | 40000  | 1.80                                   |              |                       |
| 6.1   | 2140   | 232                     | 40000  | 2.0                                    |              |                       |
| 7.1   | 1840   | 199                     | 40000  | 2.3                                    |              |                       |
| 4.3   | 3040   | 330                     | 26800  | 0.90                                   |              |                       |
| 4.8   | 2700   | 294                     | 27300  | 1.00                                   | HWK 87 R57   | 4                     |
| 5.6   | 2310   | 250                     | 27700  | 1.15                                   | HWKF 87 R57  | 4                     |
| 6.0   | 2180   | 236                     | 27900  | 1.25                                   | HWKA 87 R57  | 4                     |
| 7.0   | 1860   | 201                     | 28200  | 1.45                                   | HWKAF 87 R57 | 4                     |
| 7.7   | 1690   | 183                     | 28300  | 1.60                                   |              |                       |
| 4.9   | 2940   | 143.47                  | 65000  | 2.7                                    | HWK 107      | 8                     |
| 5.8   | 2490   | 121.46                  | 65000  | 3.2                                    | HWKF 107     | 8                     |
| 6.2   | 2300   | 112.41                  | 65000  | 3.5                                    | HWKA 107     | 8                     |
|   |  |                         |  |  | HWKAF 107    | 8                     |
| 4.6   | 3140   | 153.21                  | 40000  | 1.35                                   | HWK 97       | 8                     |
| 5.0   | 2870   | 140.28                  | 40000  | 1.50                                   | HWKF 97      | 8                     |
| 5.7   | 2540   | 123.93                  | 40000  | 1.70                                   | HWKA 97      | 8                     |
|   |  |                         |  |  | HWKAF 97     | 8                     |
| 5.2   | 2740   | 176.05                  | 40000  | 1.55                                   | HWK 97       | 6                     |
| 6.0   | 2390   | 153.21                  | 40000  | 1.80                                   | HWKF 97      | 6                     |
| 6.6   | 2180   | 140.28                  | 40000  | 1.95                                   | HWKA 97      | 6                     |
| 7.4   | 1930   | 123.93                  | 40000  | 2.2                                    | HWKAF 97     | 6                     |
| 8.0   | 1790   | 176.05                  | 40000  | 2.4                                    | HWK 97       | 4                     |
| 9.2   | 1560   | 153.21                  | 40000  | 2.8                                    | HWKF 97      | 4                     |
| 10  | 1430   | 140.28                  | 40000  | 3.0                                    | HWKA 97      | 4                     |
| 11  | 1260   | 123.93                  | 40000  | 3.4                                    | HWKAF 97     | 4                     |
| 6.2   | 2290   | 147.32                  | 27800  | 1.20                                   | HWK 87       | 6                     |
| 7.2   | 1980   | 126.91                  | 28100  | 1.35                                   | HWKF 87      | 6                     |
| 7.9   | 1800   | 115.82                  | 28200  | 1.50                                   | HWKA 87      | 6                     |
| 9.0   | 1600   | 102.71                  | 28400  | 1.70                                   | HWKAF 87     | 6                     |
| 8.1   | 1770   | 174.19                  | 28300  | 1.55                                   |              |                       |
| 8.6   | 1670   | 164.34                  | 28300  | 1.60                                   |              |                       |
| 9.6   | 1500   | 147.32                  | 28500  | 1.80                                   | HWK 87       | 4                     |
| 11  | 1290   | 126.91                  | 28600  | 2.1                                    | HWKF 87      | 4                     |
| 12  | 1180   | 115.82                  | 28700  | 2.3                                    | HWKA 87      | 4                     |
| 14  | 1040   | 102.71                  | 28800  | 2.6                                    | HWKAF 87     | 4                     |
| 16  | 880  | 86.34                   | 28800  | 3.1                                    |              |                       |
| 8.1   | 1770   | 113.56                  | 13600  | 0.90                                   | HWK 77       | 6                     |
| 9.5   | 1510   | 97.05                   | 15700  | 1.05                                   | HWKF 77      | 6                     |
| 10  | 1390   | 88.97                   | 16400  | 1.10                                   | HWKA 77      | 6                     |
| 12  | 1220   | 78.07                   | 17400  | 1.30                                   | HWKAF 77     | 6                     |
| 10  | 1370   | 135.28                  | 16500  | 1.15                                   | HWK 77       | 4                     |
| 11  | 1310   | 128.52                  | 16900  | 1.20                                   | HWKF 77      | 4                     |
| 12  | 1150   | 113.56                  | 17700  | 1.35                                   | HWKA 77      | 4                     |
| 15  | 990  | 97.05                   | 18400  | 1.55                                   | HWKAF 77     | 4                     |
| 16  | 900  | 88.97                   | 18700  | 1.70                                   |              |                       |

| 输出<br>转速<br>Output<br>speed<br>$n_2$<br>[r/min] | 输出<br>转矩<br>Output<br>torque<br>$M_2$<br>[N·m] | 传动<br>比<br>Ratio<br>$i$ | 径向<br>负荷<br>Permitted<br>overhung<br>load<br>$F_{rs}$<br>[N] | 使用<br>系数<br>Service<br>factor<br>$f_s$ | 机型号<br>Model | 电机<br>极数<br>Pole<br>P |
|---|--|-------------------------|--|--|--------------|-----------------------|
| <b>1.5kW</b>                                    |  |                         |  |  |              |                       |
| 18  | 795  | 78.07                   | 19000  | 1.95                                   |              |                       |
| 19  | 750  | 73.99                   | 19100  | 2.1                                    | HWK 77       | 4                     |
| 22  | 660  | 64.75                   | 19400  | 2.4                                    | HWKF 77      | 4                     |
| 24  | 595  | 58.34                   | 19500  | 2.6                                    | HWKA 77      | 4                     |
| 28  | 520  | 51.18                   | 19700  | 3.0                                    | HWKAF 77     | 4                     |
| 31  | 460  | 45.16                   | 19800  | 3.4                                    |              |                       |
| 35  | 405  | 40.04                   | 19800  | 3.8                                    |              |                       |
| 16  | 910  | 90.04                   | 9370   | 0.90                                   | HWK 67       | 4                     |
| 18  | 775  | 76.37                   | 10700  | 1.05                                   | HWKF 67      | 4                     |
| 20  | 700  | 68.95                   | 11300  | 1.15                                   | HWKA 67      | 4                     |
| 23  | 615  | 60.66                   | 11800  | 1.35                                   | HWKAF 67     | 4                     |
| 25  | 580  | 57.28                   | 12000  | 1.40                                   |              |                       |
| 29  | 495  | 48.77                   | 12400  | 1.65                                   |              |                       |
| 32  | 450  | 44.32                   | 12600  | 1.80                                   | HWK 67       | 4                     |
| 37  | 390  | 38.39                   | 12800  | 2.0                                    | HWKF 67      | 4                     |
| 40  | 360  | 35.62                   | 12900  | 2.3                                    | HWKA 67      | 4                     |
| 47  | 305  | 30.22                   | 13000  | 2.7                                    | HWKAF 67     | 4                     |
| 52  | 275  | 27.28                   | 13000  | 3.0                                    |              |                       |
| 59  | 245  | 24.00                   | 13000  | 3.3                                    |              |                       |
| 23  | 620  | 60.81                   | 7480   | 0.95                                   | HWK 57       | 4                     |
| 25  | 685  | 57.42                   | 7770   | 1.05                                   | HWKF 57      | 4                     |
| 29  | 495  | 48.89                   | 8430   | 1.20                                   | HWKA 57      | 4                     |
| 32  | 450  | 44.43                   | 8650   | 1.35                                   | HWKAF 57     | 4                     |
| 37  | 390  | 38.49                   | 8920   | 1.55                                   |              |                       |
| 39  | 365  | 35.70                   | 9040   | 1.65                                   | HWK 57       | 4                     |
| 47  | 310  | 30.28                   | 9190   | 1.95                                   | HWKF 57      | 4                     |
| 52  | 280  | 27.34                   | 9010   | 2.2                                    | HWKA 57      | 4                     |
| 59  | 245  | 24.05                   | 8780   | 2.5                                    | HWKAF 57     | 4                     |
| 62  | 230  | 22.71                   | 8670   | 2.6                                    |              |                       |
| 73  | 196  | 19.34                   | 8360   | 2.9                                    |              |                       |
| 36  | 400  | 39.61                   | 5890   | 1.00                                   | HWK 47       | 4                     |
| 40  | 360  | 35.39                   | 6360   | 1.10                                   | HWKF 47      | 4                     |
| 45  | 320  | 31.30                   | 6310   | 1.25                                   | HWKA 47      | 4                     |
|   |  |                         |  |  | HWKAF 47     | 4                     |
| 48  | 300  | 29.32                   | 6270   | 1.35                                   |              |                       |
| 54  | 265  | 25.91                   | 6190   | 1.50                                   |              |                       |
| 65  | 220  | 21.81                   | 6050   | 1.80                                   | HWK 47       | 4                     |
| 72  | 199  | 19.58                   | 5950   | 2.0                                    | HWKF 47      | 4                     |
| 84  | 171  | 16.86                   | 5800   | 2.2                                    | HWKA 47      | 4                     |
| 89  | 161  | 15.86                   | 5730   | 2.4                                    | HWKAF 47     | 4                     |
| 103   | 139  | 13.65                   | 5560   | 2.6                                    |              |                       |
| 116   | 124  | 12.19                   | 5430   | 2.8                                    |              |                       |
| 120   | 120  | 11.17                   | 5340   | 2.3                                    |              |                       |
| 60  | 235  | 23.36                   | 2860   | 0.80                                   |              |                       |
| 70  | 205  | 20.19                   | 2920   | 0.90                                   |              |                       |
| 82  | 174  | 17.15                   | 2940   | 1.05                                   |              |                       |
| 92  | 156  | 15.31                   | 2950   | 1.10                                   |              |                       |
| 108   | 133  | 13.08                   | 2930   | 1.25                                   | HWK 37       | 4                     |
| 116   | 123  | 12.14                   | 2920   | 1.30                                   | HWKF 37      | 4                     |
| 134   | 107  | 10.49                   | 2880   | 1.50                                   | HWKA 37      | 4                     |
| 158   | 91   | 8.91                    | 2820   | 1.75                                   | HWKAF 37     | 4                     |
| 177   | 81   | 7.96                    | 2770   | 1.90                                   |              |                       |
| 207   | 69   | 6.80                    | 2700   | 2.2                                    |              |                       |
| 221   | 65   | 6.37                    | 2670   | 2.2                                    |              |                       |
| 263   | 55   | 5.36                    | 2580   | 2.6                                    |              |                       |
| <b>2.2kW</b>                                    |  |                         |  |  |              |                       |
| 0.32  | 57900  | 4370                    | 176200   | 0.85                                   | HWK 187 R97  | 4                     |
| 0.50  | 37000  | 2818                    | 190000   | 1.35                                   | HWKH187 R97  | 4                     |
| 0.39  | 48800  | 3609                    | 190000   | 1.00                                   |              |                       |
| 0.46  | 41300  | 3062                    | 190000   | 1.20                                   |              |                       |
| 0.56  | 33800  | 2519                    | 190000   | 1.50                                   | HWK 187 R97  | 4                     |
| 0.62  | 30400  | 2268                    | 190000   | 1.65                                   | HWKH187 R97  | 4                     |
| 0.69  | 27400  | 2054                    | 190000   | 1.80                                   |              |                       |
| 0.77  | 24200  | 1821                    | 190000   | 2.1                                    |              |                       |
| 0.88  | 21400  | 1605                    | 190000   | 2.3                                    |              |                       |
| 0.51  | 36600  | 2755                    | 150000   | 0.85                                   | HWK 167 R97  | 4                     |
| 0.62  | 29800  | 2263                    | 150000   | 1.05                                   | HWKH167 R97  | 4                     |

| 输出<br>转速<br>Output<br>speed<br>$n_2$<br>[r/min] | 输出<br>转矩<br>Output<br>torque<br>$M_2$<br>[N·m] | 传动<br>比<br>Ratio<br>$i$ | 径向<br>负荷<br>Permitted<br>overhung<br>load<br>$F_{rs}$<br>[N] | 使用<br>系数<br>Service<br>factor<br>$f_s$ | 机型号<br>Model | 电机<br>极数<br>Pole<br>P |
|---|--|-------------------------|--|--|--------------|-----------------------|
| <b>2.2kW</b>                                    |  |                         |  |  |              |                       |
| 0.65  | 29500  | 2182                    | 150000   | 1.10                                   |              |                       |
| 0.83  | 22900  | 1704                    | 150000   | 1.40                                   |              |                       |
| 1.0   | 19000  | 1408                    | 150000   | 1.70                                   | HWK 167 R97  | 4                     |
| 1.1   | 17400  | 1296                    | 150000   | 1.85                                   | HWKH 167 R97 | 4                     |
| 1.3   | 14700  | 1101                    | 150000   | 2.2                                    |              |                       |
| 1.5   | 12600  | 944                     | 150000   | 2.5                                    |              |                       |
| 0.85  | 22400  | 1659                    | 109700   | 0.80                                   |              |                       |
| 1.0   | 18300  | 1365                    | 112000   | 1.00                                   | HWK 157R97   | 4                     |
| 1.1   | 16500  | 1229                    | 112900   | 1.10                                   | HWKF 157R97  | 4                     |
| 1.3   | 14600  | 1093                    | 113700   | 1.25                                   | HWKA 157R97  | 4                     |
| 1.5   | 12600  | 942                     | 114500   | 1.45                                   | HWKAF 157R97 | 4                     |
| 1.6   | 11400  | 854                     | 114900   | 1.60                                   |              |                       |
| 1.9   | 9990   | 756                     | 115300   | 1.80                                   |              |                       |
| 2.6   | 7180   | 536                     | 81700  | 1.80                                   | HWK 127R87   | 4                     |
| 3.0   | 6310   | 473                     | 82000  | 2.1                                    | HWKF 127R87  | 4                     |
| 3.4   | 5600   | 418                     | 82200  | 2.3                                    | HWKA 127R87  | 4                     |
| 3.8   | 4950   | 367                     | 82300  | 2.6                                    | HWKAF 127R87 | 4                     |
| 4.3   | 4440   | 330                     | 82400  | 2.9                                    |              |                       |
| 1.4   | 14000  | 1025                    | 78000  | 0.95                                   |              |                       |
| 1.6   | 12200  | 899                     | 79600  | 1.05                                   |              |                       |
| 1.8   | 10700  | 790                     | 80400  | 1.20                                   | HWK 127R77   | 4                     |
| 2.0   | 9580   | 704                     | 80900  | 1.35                                   | HWKF 127R77  | 4                     |
| 2.3   | 8280   | 610                     | 81400  | 1.55                                   | HWKA 127R77  | 4                     |
| 2.6   | 7460   | 549                     | 81600  | 1.75                                   | HWKAF 127R77 | 4                     |
| 3.0   | 6460   | 477                     | 81900  | 2.0                                    |              |                       |
| 3.4   | 5680   | 418                     | 82100  | 2.3                                    |              |                       |
| 2.3   | 8340   | 615                     | 65000  | 0.95                                   |              |                       |
| 2.7   | 7070   | 522                     | 65000  | 1.15                                   |              |                       |
| 3.1   | 6230   | 461                     | 65000  | 1.30                                   | HWK 107R77   | 4                     |
| 3.5   | 5520   | 408                     | 65000  | 1.45                                   | HWKF 107R77  | 4                     |
| 3.9   | 4940   | 364                     | 65000  | 1.60                                   | HWKA 107R77  | 4                     |
| 4.4   | 4320   | 318                     | 65000  | 1.85                                   | HWKAF 107R77 | 4                     |
| 4.9   | 3890   | 286                     | 65000  | 2.1                                    |              |                       |
| 5.6   | 3410   | 251                     | 65000  | 2.3                                    |              |                       |
| 3.7   | 5210   | 382                     | 39700  | 0.80                                   |              |                       |
| 4.1   | 4640   | 342                     | 40000  | 0.95                                   | HWK 97 R57   | 4                     |
| 4.6   | 4170   | 305                     | 40000  | 1.05                                   | HWKF 97 R57  | 4                     |
| 5.5   | 3510   | 258                     | 40000  | 1.20                                   | HWKA 97 R57  | 4                     |
| 6.1   | 3160   | 232                     | 40000  | 1.35                                   | HWKAF 97 R57 | 4                     |
| 7.1   | 2710   | 199                     | 40000  | 1.60                                   |              |                       |
| 4.9   | 4310   | 143.47                  | 65000  | 1.85                                   | HWK 107      | 8                     |
| 5.8   | 3650   | 121.46                  | 65000  | 2.2                                    | HWKF 107     | 8                     |
| 6.2   | 3370   | 112.41                  | 65000  | 2.4                                    | HWKA 107     | 8                     |
| 6.9   | 3020   | 100.75                  | 65000  | 2.7                                    | HWKAF 107    | 8                     |
| 6.1   | 3420   | 153.21                  | 40000  | 1.25                                   | HWK 97       | 6                     |
| 6.7   |  |                         |  |  |              |                       |

| 输出转速<br>Output speed<br>n <sub>2</sub><br>[r/min] | 输出转矩<br>Output torque<br>M <sub>2</sub><br>[N·m] | 传动比<br>Ratio<br>i | 径向负荷<br>Permitted overhung load<br>F <sub>ra</sub><br>[N] | 使用系数<br>Service factor<br>f <sub>s</sub> | 机型号<br>Model  | 电机极数<br>Pole<br>P |
|---|--|-------------------|---|--|---------------|-------------------|
| <b>3.0kW</b>                                      |  |                   |   |  |               |                   |
| 0.46  | 57100  | 3062              | 177600  | 0.90                                     |               |                   |
| 0.56  | 46800  | 2519              | 190000  | 1.05                                     |               |                   |
| 0.62  | 42100  | 2268              | 190000  | 1.20                                     |               |                   |
| 0.68  | 38000  | 2054              | 190000  | 1.30                                     | HWK           | 187 R97 4         |
| 0.77  | 33600  | 1821              | 190000  | 1.50                                     | HWKH          | 187 R97 4         |
| 0.87  | 29700  | 1605              | 190000  | 1.70                                     |               |                   |
| 1.0   | 25600  | 1395              | 190000  | 1.95                                     |               |                   |
| 1.2   | 22100  | 1196              | 190000  | 2.3                                      |               |                   |
| 0.82  | 31700  | 1704              | 150000  | 1.00                                     |               |                   |
| 0.99  | 26200  | 1408              | 150000  | 1.20                                     |               |                   |
| 1.1   | 24100  | 1296              | 150000  | 1.35                                     | HWK           | 167 R97 4         |
| 1.3   | 20300  | 1101              | 150000  | 1.55                                     | HWKH          | 167 R97 4         |
| 1.5   | 17500  | 944               | 150000  | 1.85                                     |               |                   |
| 1.7   | 15500  | 843               | 150000  | 2.1                                      |               |                   |
| 1.9   | 14000  | 757               | 150000  | 2.3                                      |               |                   |
| 1.1   | 22800  | 1229              | 109400  | 0.80                                     |               |                   |
| 1.3   | 20300  | 1093              | 111000  | 0.90                                     | HWK           | 157 R97 4         |
| 1.5   | 17500  | 942               | 112400  | 1.05                                     | HWKF          | 157 R97 4         |
| 1.6   | 15800  | 854               | 113200  | 1.15                                     | HWKA          | 157 R97 4         |
| 1.9   | 13900  | 756               | 114000  | 1.30                                     | HWKAF         | 157 R97 4         |
| 2.5   | 10500  | 567               | 115200  | 1.70                                     |               |                   |
| 2.8   | 9310   | 504               | 115500  | 1.95                                     |               |                   |
| 2.6   | 9940   | 536               | 80700   | 1.30                                     |               |                   |
| 3.0   | 8750   | 473               | 81200   | 1.50                                     | HWK           | 127 R87 4         |
| 3.3   | 7760   | 418               | 81500   | 1.70                                     | HWKF          | 127 R87 4         |
| 3.8   | 6840   | 367               | 81800   | 1.90                                     | HWKA          | 127 R87 4         |
| 4.2   | 6140   | 330               | 82000   | 2.1                                      | HWKAF         | 127 R87 4         |
| 4.9   | 5300   | 287               | 82200   | 2.5                                      |               |                   |
| 1.8   | 14800  | 790               | 76500   | 0.90                                     |               |                   |
| 2.0   | 13200  | 704               | 79100   | 1.00                                     | HWK           | 127 R77 4         |
| 2.3   | 11400  | 610               | 80000   | 1.15                                     | HWKF          | 127 R77 4         |
| 2.5   | 10300  | 549               | 80600   | 1.25                                     | HWKA          | 127 R77 4         |
| 2.9   | 8920   | 477               | 81100   | 1.45                                     | HWKAF         | 127 R77 4         |
| 3.3   | 7840   | 418               | 81500   | 1.65                                     |               |                   |
| 3.0   | 8610   | 461               | 65000   | 0.95                                     |               |                   |
| 3.4   | 7620   | 408               | 65000   | 1.05                                     |               |                   |
| 3.8   | 6820   | 364               | 65000   | 1.15                                     | HWK           | 107 R77 4         |
| 4.4   | 5960   | 318               | 65000   | 1.35                                     | HWKF          | 107 R77 4         |
| 4.9   | 5370   | 286               | 65000   | 1.50                                     | HWKA          | 107 R77 4         |
| 5.6   | 4700   | 251               | 65000   | 1.70                                     | HWKAF         | 107 R77 4         |
| 6.3   | 4150   | 222               | 65000   | 1.95                                     |               |                   |
| 7.1   | 3670   | 196               | 65000   | 2.2                                      |               |                   |
| 8.1   | 3250   | 174               | 65000   | 2.2                                      |               |                   |
| 9.1   | 2880   | 154               | 65000   | 2.5                                      |               |                   |
| 10  | 2610   | 140               | 65000   | 2.8                                      |               |                   |
| 5.4   | 4840   | 258               | 40000   | 0.90                                     | HWK           | 97 R57 4          |
| 6.0   | 4360   | 232               | 40000   | 1.00                                     | HWKF          | 97 R57 4          |
| 7.0   | 3740   | 199               | 40000   | 1.15                                     | HWKA          | 97 R57 4          |
|   |  |                   |   |  | HWKAF97 R57 4 |                   |
| 5.0   | 5710   | 143.47            | 65000   | 1.40                                     | HWK           | 107 8             |
| 5.9   | 4830   | 121.46            | 65000   | 1.65                                     | HWKF          | 107 8             |
| 6.4   | 4470   | 112.41            | 65000   | 1.80                                     | HWKA          | 107 8             |
| 7.2   | 4010   | 100.75            | 65000   | 2.0                                      | HWKAF         | 107 8             |
| 7.9   | 3620   | 90.96             | 65000   | 2.2                                      |               |                   |
| 6.6   | 4370   | 143.47            | 65000   | 1.85                                     | HWK           | 107 6             |
| 7.7   | 3700   | 121.46            | 65000   | 2.2                                      | HWKF          | 107 6             |
| 8.4   | 3430   | 112.41            | 65000   | 2.3                                      | HWKA          | 107 6             |
| 9.3   | 3070   | 100.75            | 65000   | 2.6                                      | HWKAF         | 107 6             |
| 9.8   | 2940   | 143.47            | 65000   | 2.7                                      | HWK           | 107 4             |
| 12  | 2490   | 121.46            | 65000   | 3.2                                      | HWKF          | 107 4             |
|   |  |                   |   |  | HWKA 107 4    |                   |
|   |  |                   |   |  | HWKAF107 4    |                   |
| 7.6   | 3780   | 123.93            | 40000   | 1.15                                     | HWK           | 97 6              |
| 8.9   | 3200   | 105.13            | 40000   | 1.35                                     | HWKF          | 97 6              |
| 9.7   | 2950   | 96.80             | 40000   | 1.45                                     | HWKA          | 97 6              |
| 11  | 2640   | 86.52             | 40000   | 1.65                                     | HWKAF         | 97 6              |

| 输出转速<br>Output speed<br>n <sub>2</sub><br>[r/min] | 输出转矩<br>Output torque<br>M <sub>2</sub><br>[N·m] | 传动比<br>Ratio<br>i | 径向负荷<br>Permitted overhung load<br>F <sub>ra</sub><br>[N] | 使用系数<br>Service factor<br>f <sub>s</sub> | 机型号<br>Model | 电机极数<br>Pole<br>P |
|---|--|-------------------|---|--|--------------|-------------------|
| <b>3.0kW</b>                                      |  |                   |   |  |              |                   |
| 7.9   | 3600   | 176.05            | 40000   | 1.20                                     | HWK          | 97 4              |
| 9.1   | 3140   | 153.21            | 40000   | 1.35                                     | HWKF         | 97 4              |
| 10  | 2870   | 140.28            | 40000   | 1.50                                     | HWKA         | 97 4              |
| 11  | 2540   | 123.93            | 40000   | 1.70                                     | HWKAF        | 97 4              |
| 13  | 2150   | 105.13            | 40000   | 2.0                                      |              |                   |
| 14  | 1980   | 96.80             | 40000   | 2.2                                      | HWK          | 97 4              |
| 16  | 1770   | 86.52             | 40000   | 2.4                                      | HWKF         | 97 4              |
| 18  | 1590   | 77.89             | 40000   | 2.7                                      | HWKA         | 97 4              |
| 20  | 1440   | 70.54             | 40000   | 3.0                                      | HWKAF        | 97 4              |
| 22  | 1280   | 62.55             | 40000   | 3.4                                      |              |                   |
| 25  | 1160   | 56.55             | 40000   | 3.7                                      |              |                   |
| 9.5   | 3010   | 147.32            | 26900   | 0.90                                     | HWK          | 87 4              |
| 11  | 2600   | 126.91            | 27400   | 1.05                                     | HWKF         | 87 4              |
| 12  | 2370   | 115.82            | 27700   | 1.15                                     | HWKA         | 87 4              |
| 14  | 2100   | 102.71            | 28000   | 1.30                                     | HWKAF        | 87 4              |
| 16  | 1770   | 86.34             | 28300   | 1.55                                     |              |                   |
| 18  | 1620   | 79.34             | 28400   | 1.65                                     |              |                   |
| 20  | 1440   | 70.46             | 28500   | 1.85                                     | HWK          | 87 4              |
| 22  | 1290   | 63.00             | 28600   | 2.1                                      | HWKF         | 87 4              |
| 25  | 1160   | 56.64             | 28700   | 2.3                                      | HWKA         | 87 4              |
| 28  | 1010   | 49.16             | 28800   | 2.7                                      | HWKAF        | 87 4              |
| 32  | 900  | 44.02             | 28800   | 2.9                                      |              |                   |
| 38  | 745  | 36.52             | 28400   | 3.3                                      |              |                   |
| 16  | 1820   | 88.97             | 13100   | 0.85                                     |              |                   |
| 18  | 1600   | 78.07             | 15000   | 0.95                                     | HWK          | 77 4              |
| 19  | 1510   | 73.99             | 15600   | 1.00                                     | HWKF         | 77 4              |
| 22  | 1330   | 64.75             | 16800   | 1.15                                     | HWKA         | 77 4              |
| 24  | 1190   | 58.34             | 17500   | 1.30                                     | HWKAF        | 77 4              |
| 27  | 1050   | 51.18             | 18100   | 1.50                                     |              |                   |
| 31  | 920  | 45.16             | 18600   | 1.70                                     | HWK          | 77 4              |
| 35  | 820  | 40.04             | 18900   | 1.90                                     | HWKF         | 77 4              |
| 40  | 720  | 35.20             | 19200   | 2.2                                      | HWKA         | 77 4              |
| 45  | 630  | 30.89             | 19400   | 2.5                                      | HWKAF        | 77 4              |
| 32  | 910  | 44.32             | 9450  | 0.90                                     |              |                   |
| 36  | 785  | 38.39             | 10600   | 1.00                                     | HWK          | 67 4              |
| 39  | 730  | 35.62             | 11100   | 1.15                                     | HWKF         | 67 4              |
| 46  | 620  | 30.22             | 11800   | 1.35                                     | HWKA         | 67 4              |
| 51  | 560  | 27.28             | 12100   | 1.45                                     | HWKAF        | 67 4              |
| 58  | 490  | 24.00             | 12500   | 1.65                                     |              |                   |
| 62  | 465  | 22.66             | 12600   | 1.70                                     |              |                   |
| 73  | 395  | 19.30             | 12800   | 1.95                                     |              |                   |
| 80  | 360  | 17.54             | 13000   | 2.1                                      | HWK          | 67 4              |
| 92  | 310  | 15.19             | 13000   | 2.2                                      | HWKF         | 67 4              |
| 106   | 270  | 13.22             | 13000   | 2.5                                      | HWKA         | 67 4              |
| 112   | 255  | 12.48             | 13000   | 2.1                                      | HWKAF        | 67 4              |
| 132   | 220  | 10.63             | 13000   | 2.3                                      |              |                   |
| 145   | 198  | 9.66              | 13000   | 2.4                                      |              |                   |
| 46  | 620  | 30.28             | 7180  | 0.95                                     | HWK          | 57 4              |
| 51  | 560  | 27.34             | 7190  | 1.05                                     | HWKF         | 57 4              |
| 58  | 490  | 24.05             | 7180  | 1.20                                     | HWKA         | 57 4              |
|   |  |                   |   |  | HWKAF 57 4   |                   |
| 62  | 465  | 22.71             | 7160  | 1.30                                     |              |                   |
| 72  | 395  | 19.34             | 7080  | 1.45                                     |              |                   |
| 80  | 360  | 17.57             | 7020  | 1.55                                     |              |                   |
| 92  | 310  | 15.22             | 6890  | 1.70                                     |              |                   |
| 106   | 270  | 13.25             | 6750  | 1.90                                     | HWK          | 57 4              |
| 117   | 245  | 11.92             | 6420  | 1.70                                     | HWKF         | 57 4              |
| 124   | 230  | 11.26             | 6370  | 1.80                                     | HWKA         | 57 4              |
| 146   | 196  | 9.59              | 6200  | 2.1                                      | HWKAF        | 57 4              |
| 161   | 178  | 8.71              | 6090  | 2.2                                      |              |                   |
| 189   | 154  | 7.55              | 5920  | 2.4                                      |              |                   |
| 213   | 134  | 6.57              | 5750  | 2.6                                      |              |                   |
| 72  | 400  | 19.58             | 4430  | 1.00                                     | HWK          | 47 4              |
| 83  | 345  | 16.86             | 4490  | 1.10                                     | HWKF         | 47 4              |
| 88  | 325  | 15.86             | 4500  | 1.15                                     | HWKA         | 47 4              |
|   |  |                   |   |  | HWKAF 47 4   |                   |

| 输出转速<br>Output speed<br>n <sub>2</sub><br>[r/min] | 输出转矩<br>Output torque<br>M <sub>2</sub><br>[N·m] | 传动比<br>Ratio<br>i | 径向负荷<br>Permitted overhung load<br>F <sub>ra</sub><br>[N] | 使用系数<br>Service factor<br>f <sub>s</sub> | 机型号<br>Model   | 电机极数<br>Pole<br>P |
|---|--|-------------------|---|--|----------------|-------------------|
| <b>3.0kW</b>                                      |  |                   |   |  |                |                   |
| 103   | 280  | 13.65             | 4510  | 1.30                                     |                |                   |
| 115   | 250  | 12.19             | 4490  | 1.40                                     |                |                   |
| 119   | 240  | 11.77             | 4370  | 1.15                                     | HWK 47         | 4                 |
| 133   | 215  | 10.56             | 4350  | 1.30                                     | HWKF 47        | 4                 |
| 154   | 186  | 9.10              | 4290  | 1.50                                     | HWKA 47        | 4                 |
| 164   | 175  | 8.56              | 4270  | 1.55                                     | HWKAF47        | 4                 |
| 190   | 151  | 7.36              | 4190  | 1.65                                     |                |                   |
| 213   | 135  | 6.58              | 4120  | 1.80                                     |                |                   |
| 241   | 119  | 5.81              | 4030  | 1.95                                     |                |                   |
| 157   | 182  | 8.91              | 2000  | 0.90                                     | HWK 37         | 4                 |
| 176   | 163  | 7.96              | 2040  | 0.95                                     | HWKF 37        | 4                 |
| 206   | 139  | 6.80              | 2080  | 1.10                                     | HWKA 37        | 4                 |
| 220   | 130  | 6.37              | 2080  | 1.10                                     | HWKAF37        | 4                 |
| 261   | 110  | 5.36              | 2090  | 1.30                                     |                |                   |
| <b>4.0kW</b>                                      |  |                   |   |  |                |                   |
| 1.7   | 20300  | 835               | 190000  | 2.5                                      | HWK 187 R107 4 | 4                 |
| 2.7   | 12600  | 520               | 190000  | 4.0                                      | HWKH187 R107 4 | 4                 |
| 0.56  | 61900  | 2519              | 168800  | 0.80                                     |                |                   |
| 0.63  | 55600  | 2268              | 180200  | 0.90                                     |                |                   |
| 0.69  | 50300  | 2054              | 189400  | 1.00                                     |                |                   |
| 0.78  | 44500  | 1821              | 190000  | 1.10                                     |                |                   |
| 0.88  | 39300  | 1605              | 190000  | 1.25                                     | HWK 187 R97 4  | 4                 |
| 1.0   | 34000  | 1395              | 190000  | 1.45                                     | HWKH 187 R97 4 | 4                 |
| 1.2   | 29200  | 1196              | 190000  | 1.70                                     |                |                   |
| 1.4   | 25600  | 1046              | 190000  | 1.95                                     |                |                   |
| 1.5   | 23100  | 945               | 190000  | 2.2                                      |                |                   |
| 1.0   | 34600  | 1408              | 150000  | 0.90                                     |                |                   |
| 1.1   | 31900  | 1296              | 150000  | 1.00                                     |                |                   |
| 1.3   | 26900  | 1101              | 150000  | 1.20                                     |                |                   |
| 1.5   | 23100  | 944               | 150000  | 1.40                                     | HWK 167 R97 4  | 4                 |
| 1.7   | 20500  | 843               | 150000  | 1.55                                     | HWKH 167 R97 4 | 4                 |
| 1.9   | 18500  | 757               | 150000  | 1.75                                     |                |                   |
| 2.2   | 15400  | 632               | 150000  | 2.1                                      |                |                   |
| 1.7   | 20900  | 854               | 110600  | 0.85                                     | HWK 157 R97 4  | 4                 |
| 1.9   | 18400  | 756               | 112000  | 1.00                                     | HWKF 157 R97 4 | 4                 |
| 2.5   | 13800  | 567               | 114000  | 1.30                                     | HWKA 157 R97 4 | 4                 |
| 2.8   | 12300  | 504               | 114600  | 1.45                                     | HWKAF157 R97 4 | 4                 |
| 3.3   | 10600  | 434               | 115100  | 1.70                                     |                |                   |
| 2.7   | 13100  | 536               | 79100   | 1.00                                     |                |                   |
| 3.0   | 11600  | 473               | 79900   | 1.10                                     | HWK 127 R87 4  | 4                 |
| 3.4   | 10300  | 418               | 80600   | 1.25                                     | HWKF 127 R87 4 | 4                 |
| 3.9   | 9040   | 367               | 81100   | 1.45                                     | HWKA 127 R87 4 | 4                 |
| 4.3   | 8120   | 330               | 81400   | 1.60                                     | HWKAF127 R87 4 | 4                 |
| 5.0   | 7010   | 287               | 81800   | 1.85                                     |                |                   |
| 5.6   | 6200   | 253               | 82000   | 2.1                                      |                |                   |
| 2.3   | 15100  | 610               | 75800   | 0.85                                     | HWK 127 R77 4  | 4                 |
| 2.6   | 13600  | 549               | 78800   | 0.95                                     | HWKF 127 R77 4 | 4                 |
| 3.0   | 11800  | 477               | 79800   | 1.10                                     | HWKA 127 R77 4 | 4                 |
| 3.4   | 10300  | 418               | 80500   | 1.25                                     | HWKAF127 R77 4 | 4                 |
| 3.9   | 8990   | 364               | 650000  |  |                |                   |

| 输出转速<br>Output speed<br>n <sub>2</sub><br>[r/min] | 输出扭矩<br>Output torque<br>M <sub>2</sub><br>[N·m] | 传动比<br>Ratio<br>i | 径向负荷<br>Permitted overhung load<br>F <sub>rs</sub><br>[N] | 使用系数<br>Service factor<br>f <sub>s</sub> | 机型号<br>Model | 电机极数<br>Pole<br>P |
|---|--|-------------------|---|--|--------------|-------------------|
| <b>4.0kW</b>                                      |  |                   |   |  |              |                   |
| 59  | 645  | 24.05             | 6120  | 0.95                                     |              |                   |
| 63  | 610  | 22.71             | 6160  | 1.00                                     |              |                   |
| 73  | 520  | 19.34             | 6220  | 1.10                                     |              |                   |
| 81  | 475  | 17.57             | 6230  | 1.15                                     |              |                   |
| 93  | 410  | 15.22             | 6210  | 1.30                                     |              |                   |
| 107   | 355  | 13.25             | 6150  | 1.45                                     | HWK 57       | 4                 |
| 119   | 320  | 11.92             | 5810  | 1.30                                     | HWKF 57      | 4                 |
| 126   | 305  | 11.26             | 5790  | 1.35                                     | HWKA 57      | 4                 |
| 148   | 260  | 9.59              | 5700  | 1.55                                     | HWKAF 57     | 4                 |
| 163   | 235  | 8.71              | 5640  | 1.65                                     |              |                   |
| 188   | 205  | 7.55              | 5530  | 1.80                                     |              |                   |
| 216   | 177  | 6.57              | 5400  | 1.95                                     |              |                   |
| <b>5.5kW</b>                                      |  |                   |   |  |              |                   |
| 0.79  | 61100  | 1821              | 170200  | 0.80                                     |              |                   |
| 0.89  | 53900  | 1605              | 183200  | 0.95                                     |              |                   |
| 1.0   | 46700  | 1395              | 190000  | 1.05                                     | HWK 187R97   | 4                 |
| 1.2   | 40100  | 1196              | 190000  | 1.25                                     | HWKH 187R97  | 4                 |
| 1.4   | 35100  | 1046              | 190000  | 1.45                                     |              |                   |
| 1.5   | 31700  | 945               | 190000  | 1.60                                     |              |                   |
| 1.9   | 24800  | 738               | 190000  | 2.0                                      |              |                   |
| 2.3   | 20800  | 621               | 190000  | 2.4                                      |              |                   |
| <b>7.5kW</b>                                      |  |                   |   |  |              |                   |
| 1.3   | 36900  | 1101              | 150000  | 0.85                                     |              |                   |
| 1.5   | 31700  | 944               | 150000  | 1.00                                     |              |                   |
| 1.7   | 28200  | 843               | 150000  | 1.15                                     |              |                   |
| 1.9   | 25400  | 757               | 150000  | 1.25                                     | HWK 167R97   | 4                 |
| 2.3   | 21200  | 632               | 150000  | 1.50                                     | HWKH 167R97  | 4                 |
| 2.5   | 18700  | 561               | 150000  | 1.70                                     |              |                   |
| 3.0   | 16100  | 481               | 150000  | 2.0                                      |              |                   |
| 3.4   | 14100  | 423               | 150000  | 2.3                                      |              |                   |
| <b>11kW</b>                                       |  |                   |   |  |              |                   |
| 2.2   | 22100  | 661               | 109900  | 0.80                                     |              |                   |
| 2.5   | 19000  | 567               | 111700  | 0.95                                     | HWK 157R97   | 4                 |
| 2.8   | 16900  | 504               | 112700  | 1.05                                     | HWKF 157R97  | 4                 |
| 3.3   | 14500  | 434               | 113800  | 1.25                                     | HWKA 157R97  | 4                 |
| 3.8   | 12700  | 379               | 114500  | 1.40                                     | HWKAF 157R97 | 4                 |
| 4.3   | 11100  | 333               | 115000  | 1.60                                     |              |                   |
| <b>15kW</b>                                       |  |                   |   |  |              |                   |
| 3.4   | 14100  | 418               | 77800   | 0.90                                     |              |                   |
| 3.9   | 12400  | 367               | 79500   | 1.05                                     |              |                   |
| 4.3   | 11100  | 330               | 80200   | 1.15                                     | HWK 127R87   | 4                 |
| 5.0   | 9620   | 287               | 80800   | 1.35                                     | HWKF 127R87  | 4                 |
| 5.6   | 8510   | 253               | 81300   | 1.55                                     | HWKA 127R87  | 4                 |
| 6.7   | 7150   | 213               | 81700   | 1.80                                     | HWKAF 127R87 | 4                 |
| 7.1   | 6740   | 200               | 81900   | 1.80                                     |              |                   |
| 8.6   | 5580   | 166               | 82200   | 2.2                                      |              |                   |
| 9.8   | 4920   | 147               | 82300   | 2.4                                      |              |                   |
| <b>22kW</b>                                       |  |                   |   |  |              |                   |
| 6.4   | 7490   | 222               | 65000   | 1.05                                     | HWK 107R77   | 4                 |
| 7.3   | 6640   | 196               | 65000   | 1.20                                     | HWKF 107R77  | 4                 |
| 8.2   | 5870   | 174               | 65000   | 1.25                                     | HWKA 107R77  | 4                 |
| 9.3   | 5200   | 154               | 65000   | 1.40                                     | HWKAF 107R77 | 4                 |
| 10  | 4720   | 140               | 65000   | 1.55                                     |              |                   |
| <b>30kW</b>                                       |  |                   |   |  |              |                   |
| 4.7   | 11100  | 150.41            | 115000  | 1.60                                     | HWK 157      | 8                 |
| 5.8   | 9050   | 122.39            | 115500  | 2.0                                      | HWKF 157     | 8                 |
| 7.1   | 7410   | 100.22            | 115900  | 2.4                                      | HWKA 157     | 8                 |
| 7.8   | 6780   | 91.65             | 116000  | 2.7                                      | HWKAF 157    | 8                 |
| <b>40kW</b>                                       |  |                   |   |  |              |                   |
| 5.2   | 10100  | 136.14            | 80700   | 1.30                                     | HWK 127      | 8                 |
| 5.8   | 9060   | 122.48            | 81100   | 1.45                                     | HWKF 127     | 8                 |
| 6.4   | 8150   | 110.18            | 81400   | 1.60                                     | HWKA 127     | 8                 |
| 7.9   | 6650   | 89.89             | 81900   | 1.95                                     | HWKAF 127    | 8                 |
| <b>55kW</b>                                       |  |                   |   |  |              |                   |
| 7.1   | 7450   | 136.14            | 81600   | 1.75                                     | HWK 127      | 6                 |
| 7.8   | 6700   | 122.48            | 81900   | 1.95                                     | HWKF 127     | 6                 |
| 8.7   | 6030   | 110.18            | 82100   | 2.2                                      | HWKA 127     | 6                 |
| 11  | 4920   | 89.89             | 82300   | 2.6                                      | HWKAF 127    | 6                 |
| <b>75kW</b>                                       |  |                   |   |  |              |                   |
| 8.5   | 6150   | 112.41            | 65000   | 1.30                                     | HWK 107      | 6                 |
| 9.5   | 5510   | 100.75            | 65000   | 1.45                                     | HWKF 107     | 6                 |
| 11  | 4980   | 90.96             | 65000   | 1.60                                     | HWKA 107     | 6                 |
| 12  | 4520   | 82.61             | 65000   | 1.75                                     | HWKAF 107    | 6                 |

| 输出转速<br>Output speed<br>n <sub>2</sub><br>[r/min] | 输出扭矩<br>Output torque<br>M <sub>2</sub><br>[N·m] | 传动比<br>Ratio<br>i | 径向负荷<br>Permitted overhung load<br>F <sub>rs</sub><br>[N] | 使用系数<br>Service factor<br>f <sub>s</sub> | 机型号<br>Model | 电机极数<br>Pole<br>P |
|---|--|-------------------|---|--|--------------|-------------------|
| <b>5.5kW</b>                                      |  |                   |   |  |              |                   |
| 10  | 5270   | 143.47            | 65000   | 1.50                                     |              |                   |
| 12  | 4460   | 121.46            | 65000   | 1.80                                     | HWK 107      | 4                 |
| 13  | 4130   | 112.41            | 65000   | 1.95                                     | HWKF 107     | 4                 |
| 14  | 3700   | 100.75            | 65000   | 2.2                                      | HWKA 107     | 4                 |
| 16  | 3340   | 90.96             | 65000   | 2.4                                      | HWKAF 107    | 4                 |
| 17  | 3030   | 82.61             | 65000   | 2.6                                      |              |                   |
| <b>7.5kW</b>                                      |  |                   |   |  |              |                   |
| 12  | 4550   | 123.93            | 40000   | 0.95                                     | HWK 97       | 4                 |
| 14  | 3860   | 105.13            | 40000   | 1.10                                     | HWKF 97      | 4                 |
| 15  | 3560   | 96.80             | 40000   | 1.20                                     | HWKA 97      | 4                 |
| 17  | 3180   | 86.52             | 40000   | 1.35                                     | HWKAF 97     | 4                 |
| <b>11kW</b>                                       |  |                   |   |  |              |                   |
| 18  | 2860   | 77.89             | 40000   | 1.50                                     | HWK 97       | 4                 |
| 20  | 2590   | 70.54             | 40000   | 1.65                                     | HWKF 97      | 4                 |
| 23  | 2300   | 62.55             | 40000   | 1.85                                     | HWKA 97      | 4                 |
| 25  | 2080   | 56.55             | 39700   | 2.1                                      | HWKAF 97     | 4                 |
| 30  | 1760   | 47.93             | 38600   | 2.4                                      |              |                   |
| <b>15kW</b>                                       |  |                   |   |  |              |                   |
| 17  | 3170   | 86.34             | 26600   | 0.85                                     | HWK 87       | 4                 |
| 18  | 2910   | 79.34             | 27000   | 0.95                                     | HWKF 87      | 4                 |
| 20  | 2590   | 70.46             | 27400   | 1.05                                     | HWKA 87      | 4                 |
| 23  | 2310   | 63.00             | 27500   | 1.15                                     | HWKAF 87     | 4                 |
| 25  | 2080   | 56.64             | 27300   | 1.30                                     |              |                   |
| <b>22kW</b>                                       |  |                   |   |  |              |                   |
| 29  | 1810   | 49.16             | 26900   | 1.50                                     | HWK 87       | 4                 |
| 32  | 1620   | 44.02             | 26500   | 1.60                                     | HWKF 87      | 4                 |
| 39  | 1340   | 36.52             | 25800   | 1.85                                     | HWKA 87      | 4                 |
| 46  | 1150   | 31.39             | 25200   | 2.3                                      | HWKAF 87     | 4                 |
| 51  | 1020   | 27.88             | 24700   | 2.5                                      |              |                   |
| <b>30kW</b>                                       |  |                   |   |  |              |                   |
| 32  | 1660   | 45.16             | 14600   | 0.95                                     | HWK 77       | 4                 |
| 36  | 1470   | 40.04             | 15900   | 1.05                                     | HWKF 77      | 4                 |
| 46  | 1130   | 30.89             | 17800   | 1.35                                     | HWKA 77      | 4                 |
| 49  | 1070   | 29.27             | 18000   | 1.45                                     | HWKAF 77     | 4                 |
| 56  | 940  | 25.62             | 18500   | 1.65                                     |              |                   |
| <b>40kW</b>                                       |  |                   |   |  |              |                   |
| 62  | 850  | 23.08             | 18800   | 1.85                                     |              |                   |
| 71  | 745  | 20.25             | 19100   | 2.0                                      | HWK 77       | 4                 |
| 80  | 655  | 17.87             | 19400   | 2.2                                      | HWKF 77      | 4                 |
| 90  | 580  | 15.84             | 19200   | 2.4                                      | HWKA 77      | 4                 |
| 106   | 495  | 13.52             | 18600   | 2.7                                      | HWKAF 77     | 4                 |
| 116   | 455  | 12.36             | 17900   | 2.2                                      |              |                   |
| 132   | 400  | 10.86             | 17400   | 2.5                                      |              |                   |
| <b>55kW</b>                                       |  |                   |   |  |              |                   |
| 60  | 880  | 24.00             | 9720  | 0.90                                     |              |                   |
| 63  | 830  | 22.66             | 10200   | 0.95                                     | HWK 67       | 4                 |
| 74  | 710  | 19.30             | 11200   | 1.05                                     | HWKF 67      | 4                 |
| 82  | 645  | 17.54             | 11600   | 1.15                                     | HWKA 67      | 4                 |
| 94  | 560  | 15.19             | 12100   | 1.25                                     | HWKAF 67     | 4                 |
| 108   | 485  | 13.22             | 12500   | 1.40                                     |              |                   |
| <b>75kW</b>                                       |  |                   |   |  |              |                   |
| 115   | 460  | 12.48             | 12600   | 1.15                                     | HWK 67       | 4                 |
| 135   | 390  | 10.63             | 12400   | 1.30                                     | HWKF 67      | 4                 |
| 148   | 355  | 9.66              | 12200   | 1.35                                     | HWKA 67      | 4                 |
| 171   | 305  | 8.37              | 11900   | 1.45                                     | HWKAF 67     | 4                 |
| 196   | 265  | 7.28              | 11600   | 1.55                                     |              |                   |
| <b>110kW</b>                                      |  |                   |   |  |              |                   |
| 81  | 645  | 17.57             | 5080  | 0.85                                     |              |                   |
| 94  | 560  | 15.22             | 5210  | 0.95                                     |              |                   |
| 108   | 485  | 13.25             | 5280  | 1.05                                     |              |                   |
| 120   | 440  | 11.92             | 4920  | 0.95                                     | HWK 57       | 4                 |
| 127   | 415  | 11.26             | 4950  | 1.00                                     | HWKF 57      | 4                 |
| 149   | 350  | 9.59              | 4990  | 1.15                                     | HWKA 57      | 4                 |
| 164   | 320  | 8.71              | 4990  | 1.20                                     | HWKAF 57     | 4                 |
| 190   | 275  | 7.55              | 4960  | 1.30                                     |              |                   |
| 218   | 240  | 6.57              | 4910  | 1.45                                     |              |                   |
| <b>150kW</b>                                      |  |                   |   |  |              |                   |
| 1.7   | 38200  | 835               | 190000  | 1.30                                     |              |                   |
| 2.0   | 33300  | 729               | 190000  | 1.50                                     | HWK 187R107  | 4                 |
| 2.3   | 28400  | 622               | 190000  | 1.75                                     | HWKH 187R107 | 4                 |

| 输出转速<br>Output speed<br>n <sub>2</sub><br>[r/min] | 输出扭矩<br>Output torque<br>M <sub>2</sub><br>[N·m] | 传动比<br>Ratio<br>i | 径向负荷<br>Permitted overhung load<br>F <sub>rs</sub><br>[N] | 使用系数<br>Service factor<br>f <sub>s</sub> | 机型号<br>Model | 电机极数<br>Pole<br>P |
|---|--|-------------------|---|--|--------------|-------------------|
| <b>7.5kW</b>                                      |  |                   |   |  |              |                   |
| 1.2   | 55000  | 1196              | 181400  | 0.90                                     |              |                   |
| 1.4   | 48000  | 1046              | 190000  | 1.05                                     |              |                   |
| 1.5   | 43400  | 945               | 190000  | 1.15                                     | HWK 187R97   | 4                 |
| 1.9   | 33900  | 738               | 190000  | 1.45                                     | HWKH 187R97  | 4                 |
| 2.3   | 28500  | 621               | 190000  | 1.75                                     |              |                   |
| 2.7   | 24100  | 527               | 190000  | 2.1                                      |              |                   |
| <b>11kW</b>                                       |  |                   |   |  |              |                   |
| 1.7   | 38700  | 843               | 150000  | 0.85                                     |              |                   |
| 1.9   | 34700  | 757               | 150000  | 0.90                                     |              |                   |
| 2.3   | 29000  | 632               | 150000  | 1.10                                     |              |                   |
| 2.5   | 25700  | 561               | 150000  | 1.25                                     | HWK 167R97   | 4                 |
| 3.0   | 22100  | 481               | 150000  | 1.45                                     | HWKH 167R97  | 4                 |
| 3.4   | 19400  | 423               | 150000  | 1.65                                     |              |                   |
| 3.9   | 16900  | 369               | 150000  | 1.90                                     |              |                   |
| <b>15kW</b>                                       |  |                   |   |  |              |                   |
| 3.3   | 19900  | 434               | 111200  | 0.90                                     | HWK 157R97   | 4                 |
| 3.8   | 17400  | 379               | 112500  | 1.05                                     | HWKF 157R97  | 4                 |
| 4.3   | 15300  | 333               | 113500  | 1.20                                     | HWKA 157R97  | 4                 |
| 4.9   | 13300  | 291               | 114200  | 1.35                                     | HWKAF 157R97 | 4                 |
| <b>22kW</b>                                       |  |                   |   |  |              |                   |
| 4.3   | 15200  | 330               | 75500   | 0.85                                     |              |                   |
| 5.0   | 13200  | 287               | 79100   | 1.00                                     |              |                   |
| 5.6   | 11600  | 253               | 79900   | 1.10                                     | HWK 127R87   | 4                 |
| 6.7   | 9790   | 213               | 80800   | 1.35                                     | HWKF 127R87  | 4                 |
| 7.1   | 9220   | 200               | 81000   | 1.30                                     | HWKA 127R87  | 4                 |
| 8.6   | 7640   | 166               | 81600   | 1.55                                     | HWKAF 127R87 | 4                 |
| 9.8   | 6740   | 147               | 81900   | 1.80                                     |              |                   |
| <b>30kW</b>                                       |  |                   |   |  |              |                   |
| 4.4   | 16400  | 164.50            | 150000  | 1.95                                     | HWK 167      | 8                 |
| 5.3   | 13400  | 134.99            | 150000  | 2.4                                      | HWKH 167     | 8                 |
| <b>40kW</b>                                       |  |                   |   |  |              |                   |
| 5.8   | 12300  | 164.50            | 150000  | 2.6                                      | HWK 167      | 6                 |
| 7.1   | 10100  | 134.99            | 150000  | 3.2                                      | HWKH 167     | 6                 |
| <b>55kW</b>                                       |  |                   |   |  |              |                   |
| 6.4   | 11200  | 150.41            | 114900  | 1.60                                     | HWK 157      | 6                 |
| 7.8   | 9130   | 122.39            | 115500  | 1.95                                     | HWKF 157     | 6                 |
| 9.6   | 7480   | 100.22            | 115900  | 2.4                                      | HWKA 157     | 6                 |
| 10  | 6840   | 91.65             | 116000  | 2.6                                      | HWKAF 157    | 6                 |
| 12  | 5950   | 79.75             | 116200  | 3.0                                      |              |                   |
| <b>75kW</b>                                       |  |                   |   |  |              |                   |
| 7.1   | 10200  | 136.14            | 80600   | 1.30                                     | HWK 127      | 6                 |
| 7.8   | 9140   | 122.48            | 81000   | 1.40                                     | HWKF 127     | 6                 |
| 8.7   | 8220   | 110.18            | 81400   | 1.60                                     | HWKA 127     | 6                 |
| 11  | 6710   | 89.89             | 81900   | 1.95                                     | HWKAF 127    | 6                 |
| <b>110kW</b>                                      |  |                   |   |  |              |                   |
| 9.8   | 7320   | 146.07            | 81700   | 1.80                                     |              |                   |
| 11  | 6820   | 136.14            | 81800   | 1.90                                     |              |                   |
| 12  | 6130   | 122.48            | 82000   | 2.1                                      | HWK 127      | 4                 |
| 13  | 5520   | 110.18            | 82200   | 2.4                                      | HWKF 127     | 4                 |
| 16  | 4500   | 89.89             | 82400   | 2.9                                      | HWKA 127     | 4                 |
| 17  | 4110   | 81.98             | 82500   | 3.2                                      | HWKAF 127    | 4                 |
| 20  | 3550   | 70.95             | 82600   | 3.7                                      |              |                   |
| <b>150kW</b>                                      |  |                   |   |  |              |                   |
| 10  | 7190   | 143.47</          |   |  |              |                   |



| 输出转速<br>Output speed<br>$n_2$<br>[r/min] | 输出转矩<br>Output torque<br>$M_2$<br>[N·m] | 传动比<br>Ratio<br>$i$ | 径向<br>负荷<br>Permitted<br>overhung<br>load<br>$F_{ra}$<br>[N] | 使用<br>系数<br>Service<br>factor<br>$f_b$ | 机型号<br>Model | 电机<br>极数<br>Pole<br>$P$ |
|--|---|---------------------|--|--|--------------|-------------------------|
| <b>9.2kW</b>                             |   |                     |  |  |              |                         |
| 11                                       | 8310                                    | 136.14              | 81300  | 1.55                                   | HWK 127      | 4                       |
| 12                                       | 7470                                    | 122.48              | 81600  | 1.75                                   | HWKF 127     | 4                       |
| 13                                       | 6720                                    | 110.18              | 81900  | 1.95                                   | HWKA 127     | 4                       |
| 16                                       | 5480                                    | 89.89               | 82200  | 2.4                                    | HWKAF 127    | 4                       |
| 18                                       | 5000                                    | 81.98               | 82300  | 2.6                                    |              |                         |
| 13                                       | 6860                                    | 112.41              | 62400  | 1.15                                   | HWK 107      | 4                       |
| 14                                       | 6150                                    | 100.75              | 61800  | 1.30                                   | HWKF 107     | 4                       |
| 16                                       | 5550                                    | 90.96               | 61100  | 1.45                                   | HWKA 107     | 4                       |
|  |   |                     |  |  | HWKAF 107    | 4                       |
| 17                                       | 5040                                    | 82.61               | 60400  | 1.60                                   |              |                         |
| 20                                       | 4470                                    | 73.30               | 59400  | 1.80                                   | HWK 107      | 4                       |
| 22                                       | 4060                                    | 66.52               | 58600  | 1.95                                   | HWKF 107     | 4                       |
| 25                                       | 3490                                    | 57.17               | 57100  | 2.3                                    | HWKA 107     | 4                       |
| 29                                       | 3040                                    | 49.90               | 55700  | 2.6                                    | HWKAF 107    | 4                       |
| 34                                       | 2580                                    | 42.33               | 54000  | 2.8                                    |              |                         |
| 18                                       | 4750                                    | 77.89               | 35100  | 0.90                                   | HWK 97       | 4                       |
| 20                                       | 4300                                    | 70.54               | 35100  | 1.00                                   | HWKF 97      | 4                       |
| 23                                       | 3820                                    | 62.55               | 35100  | 1.15                                   | HWKA 97      | 4                       |
| 25                                       | 3450                                    | 56.55               | 34900  | 1.25                                   | HWKAF 97     | 4                       |
| 30                                       | 2920                                    | 47.93               | 34400  | 1.45                                   |              |                         |
| 34                                       | 2550                                    | 41.87               | 34000  | 1.70                                   | HWK 97       | 4                       |
| 38                                       | 2340                                    | 38.30               | 33600  | 1.85                                   | HWKF 97      | 4                       |
| 42                                       | 2090                                    | 34.23               | 33100  | 2.1                                    | HWKA 97      | 4                       |
| 47                                       | 1880                                    | 30.82               | 32500  | 2.3                                    | HWKAF 97     | 4                       |
| 52                                       | 1700                                    | 27.91               | 32000  | 2.5                                    |              |                         |
| 58                                       | 1510                                    | 24.75               | 31300  | 2.8                                    |              |                         |
| 29                                       | 3000                                    | 49.16               | 22000  | 0.90                                   | HWK 87       | 4                       |
| 33                                       | 2690                                    | 44.02               | 22200  | 0.95                                   | HWKF 87      | 4                       |
| 39                                       | 2230                                    | 36.52               | 22200  | 1.10                                   | HWKA 87      | 4                       |
| 46                                       | 1910                                    | 31.39               | 22100  | 1.40                                   | HWKAF 87     | 4                       |
| 52                                       | 1700                                    | 27.88               | 21900  | 1.55                                   |              |                         |
| 58                                       | 1520                                    | 24.92               | 21700  | 1.65                                   |              |                         |
| 64                                       | 1370                                    | 22.41               | 21400  | 1.70                                   |              |                         |
| 74                                       | 1190                                    | 19.45               | 21000  | 1.95                                   | HWK 87       | 4                       |
| 83                                       | 1060                                    | 17.42               | 20700  | 2.1                                    | HWKF 87      | 4                       |
| 90                                       | 980                                     | 16.00               | 19700  | 1.85                                   | HWKA 87      | 4                       |
| 100                                      | 880                                     | 14.45               | 20000  | 2.4                                    | HWKAF 87     | 4                       |
| 115                                      | 765                                     | 12.56               | 19500  | 2.6                                    |              |                         |
| 129                                      | 680                                     | 11.17               | 18600  | 2.2                                    |              |                         |
| 144                                      | 610                                     | 10.00               | 18200  | 2.5                                    |              |                         |
| 62                                       | 1410                                    | 23.08               | 16300  | 1.10                                   | HWK 77       | 4                       |
| 71                                       | 1240                                    | 20.25               | 17300  | 1.20                                   | HWKF 77      | 4                       |
| 81                                       | 1090                                    | 17.87               | 17600  | 1.35                                   | HWKA 77      | 4                       |
| 91                                       | 970                                     | 15.84               | 17400  | 1.45                                   | HWKAF 77     | 4                       |
| 107                                      | 820                                     | 13.52               | 17000  | 1.60                                   |              |                         |
| 117                                      | 755                                     | 12.36               | 16300  | 1.35                                   | HWK 77       | 4                       |
| 133                                      | 660                                     | 10.84               | 16000  | 1.50                                   | HWKF 77      | 4                       |
| 151                                      | 585                                     | 9.56                | 15700  | 1.60                                   | HWKA 77      | 4                       |
| 170                                      | 515                                     | 8.48                | 15400  | 1.70                                   | HWKAF 77     | 4                       |
| 199                                      | 440                                     | 7.24                | 14900  | 1.85                                   |              |                         |
| <b>11.0kW</b>                            |   |                     |  |  |              |                         |
| 1.7                                      | 55900                                   | 835                 | 179700   | 0.90                                   |              |                         |
| 2.0                                      | 48800                                   | 729                 | 190000   | 1.05                                   |              |                         |
| 2.3                                      | 41600                                   | 622                 | 190000   | 1.20                                   | HWK 187R107  | 4                       |
| 2.8                                      | 34800                                   | 520                 | 190000   | 1.45                                   | HWKH 187R107 | 4                       |
| 3.2                                      | 30400                                   | 454                 | 190000   | 1.65                                   |              |                         |
| 4.1                                      | 23800                                   | 355                 | 190000   | 2.1                                    |              |                         |
| 2.0                                      | 49600                                   | 738                 | 190000   | 1.00                                   |              |                         |
| 2.3                                      | 41700                                   | 621                 | 190000   | 1.20                                   | HWK 187R97   | 4                       |
| 2.7                                      | 35300                                   | 527                 | 190000   | 1.40                                   | HWKH 187R97  | 4                       |
| 4.5                                      | 21300                                   | 318                 | 150000   | 1.50                                   |              |                         |
| 5.2                                      | 18600                                   | 278                 | 150000   | 1.70                                   |              |                         |
| 5.9                                      | 16300                                   | 244                 | 150000   | 1.95                                   | HWK 167R107  | 4                       |
| 6.8                                      | 14200                                   | 213                 | 150000   | 2.2                                    | HWKH 167R107 | 4                       |
| 7.0                                      | 13700                                   | 206                 | 150000   | 2.3                                    |              |                         |

| 输出转速<br>Output speed<br>$n_2$<br>[r/min] | 输出转矩<br>Output torque<br>$M_2$<br>[N·m] | 传动比<br>Ratio<br>$i$ | 径向<br>负荷<br>Permitted<br>overhung<br>load<br>$F_{ra}$<br>[N] | 使用<br>系数<br>Service<br>factor<br>$f_b$ | 机型号<br>Model | 电机<br>极数<br>Pole<br>$P$ |
|--|---|---------------------|--|--|--------------|-------------------------|
| <b>11.0kW</b>                            |   |                     |  |  |              |                         |
| 2.6                                      | 37500                                   | 561                 | 150000   | 0.85                                   |              |                         |
| 3.0                                      | 32300                                   | 481                 | 150000   | 1.00                                   |              |                         |
| 3.4                                      | 28300                                   | 423                 | 150000   | 1.15                                   | HWK 167 R97  | 4                       |
| 3.9                                      | 24700                                   | 369                 | 150000   | 1.30                                   | HWKH 167 R97 | 4                       |
| 4.3                                      | 22300                                   | 333                 | 109700   | 0.80                                   | HWK 157 R97  | 4                       |
| 4.9                                      | 19500                                   | 291                 | 111400   | 0.90                                   | HWKF 157 R97 | 4                       |
|  |   |                     |  |  | HWKA 157 R97 | 4                       |
|  |   |                     |  |  | HWKAF157 R97 | 4                       |
| 6.8                                      | 14300                                   | 213                 | 77400  | 0.90                                   | HWK 127 R87  | 4                       |
| 7.2                                      | 13500                                   | 200                 | 78900  | 0.90                                   | HWKF 127 R87 | 4                       |
| 8.7                                      | 11200                                   | 166                 | 80100  | 1.10                                   | HWKA 127 R87 | 4                       |
| 9.8                                      | 9850                                    | 147                 | 80700  | 1.20                                   | HWKAF127 R87 | 4                       |
| 5.3                                      | 19700                                   | 134.99              | 150000   | 1.60                                   | HWK 167      | 8                       |
| 6.6                                      | 16000                                   | 109.83              | 150000   | 2.0                                    | HWKH 167     | 8                       |
| 5.8                                      | 18000                                   | 164.50              | 150000   | 1.80                                   | HWK 167      | 6                       |
| 7.1                                      | 14800                                   | 134.99              | 150000   | 2.2                                    | HWKH 167     | 6                       |
| 8.8                                      | 12000                                   | 164.50              | 150000   | 2.7                                    | HWK 167      |                         |
| 11                                       | 9850                                    | 134.99              | 150000   | 3.2                                    | HWKH 167     |                         |
| 5.9                                      | 17900                                   | 122.39              | 112300   | 1.00                                   | HWK 157      | 8                       |
| 7.2                                      | 14600                                   | 100.22              | 113700   | 1.25                                   | HWKF 157     | 8                       |
| 7.9                                      | 13400                                   | 91.65               | 114200   | 1.35                                   | HWKA 157     | 8                       |
| 9.0                                      | 11600                                   | 79.75               | 114800   | 1.55                                   | HWKAF 157    | 8                       |
| 6.4                                      | 16500                                   | 150.41              | 112900   | 1.10                                   | HWK 157      | 6                       |
| 7.8                                      | 13400                                   | 122.39              | 114200   | 1.35                                   | HWKF 157     | 6                       |
| 9.6                                      | 11000                                   | 100.22              | 115000   | 1.65                                   | HWKA 157     | 6                       |
| 10                                       | 10000                                   | 91.65               | 115300   | 1.80                                   | HWKAF 157    | 6                       |
| 12                                       | 8730                                    | 79.75               | 115600   | 2.1                                    |              |                         |
| 9.6                                      | 11000                                   | 150.41              | 115000   | 1.65                                   | HWK 157      | 4                       |
| 12                                       | 8930                                    | 122.39              | 115600   | 2.0                                    | HWKF 157     | 4                       |
| 14                                       | 7310                                    | 100.22              | 115900   | 2.5                                    | HWKA 157     | 4                       |
| 16                                       | 6690                                    | 91.65               | 116000   | 2.7                                    | HWKAF 157    | 4                       |
| 11                                       | 9930                                    | 136.14              | 80700  | 1.30                                   |              |                         |
| 12                                       | 8930                                    | 122.48              | 81100  | 1.45                                   | HWK 127      | 4                       |
| 13                                       | 8040                                    | 110.18              | 81400  | 1.60                                   | HWKF 127     | 4                       |
| 16                                       | 6560                                    | 89.89               | 81900  | 2.0                                    | HWKA 127     | 4                       |
| 18                                       | 5980                                    | 81.98               | 82100  | 2.2                                    | HWKAF 127    | 4                       |
| 20                                       | 5180                                    | 70.95               | 82300  | 2.5                                    |              |                         |
| 13                                       | 8200                                    | 112.41              | 58400  | 1.00                                   | HWK 107      | 4                       |
| 14                                       | 7350                                    | 100.75              | 58300  | 1.10                                   | HWKF 107     | 4                       |
| 16                                       | 6630                                    | 90.96               | 58000  | 1.20                                   | HWKA 107     | 4                       |
| 17                                       | 6030                                    | 82.61               | 57500  | 1.35                                   | HWKAF 107    | 4                       |
| 20                                       | 5350                                    | 73.30               | 56900  | 1.50                                   |              |                         |
| 22                                       | 4850                                    | 66.52               | 56200  | 1.65                                   | HWK 107      | 4                       |
| 25                                       | 4170                                    | 57.17               | 55100  | 1.90                                   | HWKF 107     | 4                       |
| 29                                       | 3640                                    | 49.90               | 54000  | 2.2                                    | HWKA 107     | 4                       |
| 34                                       | 3090                                    | 42.33               | 52500  | 2.4                                    | HWKAF 107    | 4                       |
| 39                                       | 2700                                    | 37.00               | 51200  | 2.7                                    |              |                         |
| 20                                       | 5150                                    | 70.54               | 32200  | 0.85                                   | HWK 97       | 4                       |
| 23                                       | 4560                                    | 62.55               | 32500  | 0.95                                   | HWKF 97      | 4                       |
| 25                                       | 4130                                    | 56.55               | 32500  | 1.05                                   | HWKA 97      | 4                       |
| 30                                       | 3500                                    | 47.93               | 32500  | 1.25                                   | HWKAF 97     | 4                       |
| 34                                       | 3050                                    | 41.87               | 32200  | 1.40                                   |              |                         |
| 38                                       | 2790                                    | 38.30               | 32000  | 1.55                                   |              |                         |
| 42                                       | 2500                                    | 34.23               | 31600  | 1.70                                   | HWK 97       | 4                       |
| 47                                       | 2250                                    | 30.82               | 31300  | 1.90                                   | HWKF 97      | 4                       |
| 52                                       | 2040                                    | 27.91               | 30800  | 2.1                                    | HWKA 97      | 4                       |
| 58                                       | 1800                                    | 24.75               | 30300  | 2.4                                    | HWKAF 97     | 4                       |
| 64                                       | 1630                                    | 22.37               | 29800  | 2.6                                    |              |                         |



| 输出转速<br>Output speed<br>$n_2$<br>[r/min] | 输出转矩<br>Output torque<br>$M_2$<br>[N·m] | 传动比<br>Ratio<br>$i$ | 径向<br>负荷<br>Permitted<br>overhung<br>load<br>$F_{ra}$<br>[N] | 使用<br>系数<br>Service<br>factor<br>$f_b$ | 机型号<br>Model   | 电机<br>极数<br>Pole<br>$P$ |
|--|---|---------------------|--|--|----------------|-------------------------|
| <b>11.0kW</b>                            |   |                     |  |  |                |                         |
| 33                                       | 3210                                    | 44.02               | 20000  | 0.80                                   | HWK 87         | 4                       |
| 39                                       | 2660                                    | 36.52               | 20400  | 0.95                                   | HWKF 87        | 4                       |
| 46                                       | 2290                                    | 31.39               | 20600  | 1.20                                   | HWKA 87        | 4                       |
| 52                                       | 2030                                    | 27.88               | 20600  | 1.30                                   | HWKAF 87       | 4                       |
| 58                                       | 1820                                    | 24.92               | 20500  | 1.40                                   |                |                         |
| 64                                       | 1630                                    | 22.41               | 20300  | 1.40                                   |                |                         |
| 74                                       | 1420                                    | 19.45               | 20100  | 1.60                                   |                |                         |
| 83                                       | 1270                                    | 17.42               | 19800  | 1.75                                   |                |                         |
| 90                                       | 1170                                    | 16.00               | 18800  | 1.55                                   | HWK 87         | 4                       |
| 100                                      | 1050                                    | 14.45               | 19400  | 2.0                                    | HWKF 87        | 4                       |
| 115                                      | 920                                     | 12.56               | 18900  | 2.2                                    | HWKA 87        | 4                       |
| 129                                      | 810                                     | 11.17               | 18000  | 1.85                                   | HWKAF 87       | 4                       |
| 144                                      | 730                                     | 10.00               | 17700  | 2.1                                    |                |                         |
| 174                                      | 605                                     | 8.29                | 17100  | 2.3                                    |                |                         |
| 200                                      | 525                                     | 7.21                | 16700  | 2.5                                    |                |                         |
| 62                                       | 1680                                    | 23.08               | 14400  | 0.90                                   |                |                         |
| 71                                       | 1480                                    | 20.25               | 15900  | 1.00                                   |                |                         |
| 81                                       | 1300                                    | 17.87               | 16600  | 1.10                                   |                |                         |
| 91                                       | 1160                                    | 15.84               | 16500  | 1.20                                   | HWK 77         | 4                       |
| 107                                      | 990                                     | 13.52               | 16300  | 1.35                                   | HWKF 77        | 4                       |
| 117                                      | 900                                     | 12.36               | 15500  | 1.10                                   | HWKA 77        | 4                       |
| 133                                      | 790                                     | 10.84               | 15300  | 1.25                                   | HWKAF 77       | 4                       |
| 151                                      | 700                                     | 9.56                | 15100  | 1.35                                   |                |                         |
| 170                                      | 620                                     | 8.48                | 14800  | 1.45                                   |                |                         |
| 199                                      | 530                                     | 7.24                | 14500  | 1.55                                   |                |                         |
| <b>15.0kW</b>                            |   |                     |  |  |                |                         |
| 2.3                                      | 56100                                   | 622                 | 179400   | 0.90                                   |                |                         |
| 2.8                                      | 47000                                   | 520                 | 190000   | 1.05                                   |                |                         |
| 3.2                                      | 41000                                   | 454                 | 190000   | 1.20                                   | HWK 187 R107   | 4                       |
| 4.1                                      | 32100                                   | 355                 | 190000   | 1.55                                   | HWKH 187 R107  | 4                       |
| 5.6                                      | 23600                                   | 261                 | 190000   | 2.1                                    |                |                         |
| 4.6                                      | 28700                                   | 318                 | 150000   | 1.10                                   |                |                         |
| 5.3                                      | 25000                                   | 278                 | 150000   | 1.30                                   |                |                         |
| 6.0                                      | 22000                                   | 244                 | 150000   | 1.45                                   |                |                         |
| 6.8                                      | 19200                                   | 213                 | 150000   | 1.65                                   | HWK 167 R107   | 4                       |
| 7.1                                      | 18500                                   | 206                 | 150000   | 1.75                                   | HWKH 167 R107  | 4                       |
| 8.1                                      | 16200                                   | 180                 | 150000   | 1.95                                   |                |                         |
| 9.1                                      | 14400                                   | 160                 | 150000   | 2.2                                    |                |                         |
| 6.3                                      | 20700                                   | 230                 | 110700   | 0.85                                   |                |                         |
| 6.9                                      | 19200                                   | 213                 | 116000   | 0.95                                   | HWK 157 R107   | 4                       |
| 7.8                                      | 16800                                   | 187                 | 112800   | 1.05                                   | HWKF 157 R107  | 4                       |
| 9.3                                      | 14200                                   | 157                 | 113900   | 1.25                                   | HWKA 157 R107  | 4                       |
| 12                                       | 11000                                   | 122                 | 115000   | 1.65                                   | HWKAF 157 R107 | 4                       |
| 14                                       | 9630                                    | 107                 | 115400   | 1.85                                   |                |                         |
| 5.4                                      | 26600                                   | 179.86              | 190000   | 1.90                                   | HWK 187        | 6                       |
| 5.9                                      | 24400                                   | 165.21              | 190000   | 2.0                                    | HWKH 187       | 6                       |
| 7.2                                      | 19900                                   | 134.99              | 150000   | 1.60                                   | HWK 167        | 6                       |
| 8.8                                      | 16200                                   | 109.83              | 150000   | 1.95                                   | HWKH 167       | 6                       |
| 8.9                                      | 16100                                   | 164.50              | 150000   | 2.0                                    | HWK 167        |                         |
| 11                                       | 13200                                   | 134.99              | 150000   | 2.4                                    | HWKH 167       |                         |
| 7.9                                      | 18100                                   | 122.39              | 112200   | 1.00                                   | HWK 157        | 6                       |
| 9.7                                      | 14800                                   | 100.22              | 113700   | 1.20                                   | HWKF 157       | 6                       |
| 11                                       | 13500                                   | 91.65               | 114100   | 1.35                                   | HWKA 157       | 6                       |
| 12                                       | 11800                                   | 79.75               | 114800   | 1.55                                   | HWKAF 157      | 6                       |
| 14                                       | 10400                                   | 70.38               |  |  |                |                         |







HWK37R17, HW K47/57R37  $n_2=1400$  r/min

| HWK37R17 |                  | 200Nm               |                 |
|----------|------------------|---------------------|-----------------|
| i        | $n_a$<br>[r/min] | $M_{am-ax}$<br>[Nm] | $F_{Re}$<br>[N] |
| 6832     | 0.20             | 200                 | 5640            |
| 5922     | 0.24             | 200                 | 5640            |
| 5491     | 0.25             | 200                 | 5640            |
| 4759     | 0.29             | 200                 | 5640            |
| 4160     | 0.34             | 200                 | 5640            |
| 3645     | 0.38             | 200                 | 5640            |
| 3205     | 0.44             | 200                 | 5640            |
| 2801     | 0.50             | 200                 | 5640            |
| 2454     | 0.57             | 200                 | 5640            |
| 2166     | 0.65             | 200                 | 5640            |
| 1891     | 0.74             | 200                 | 5640            |
| 1660     | 0.84             | 200                 | 5640            |
| 1466     | 0.95             | 200                 | 5640            |
| 1288     | 1.1              | 200                 | 5640            |
| 1136     | 1.2              | 200                 | 5640            |
| 996      | 1.4              | 200                 | 5640            |
| 876      | 1.6              | 200                 | 5640            |
| 761      | 1.8              | 200                 | 5640            |
| 671      | 2.1              | 200                 | 5640            |
| 585      | 2.4              | 200                 | 5640            |
| 512      | 2.7              | 200                 | 5640            |
| 451      | 3.1              | 200                 | 5640            |
| 396      | 3.5              | 200                 | 5640            |
| 346      | 4.0              | 200                 | 5640            |
| 304      | 4.6              | 200                 | 5640            |
| 267      | 5.2              | 200                 | 5640            |
| 234      | 6.0              | 200                 | 5640            |
| 205      | 6.8              | 200                 | 5640            |
| 181      | 7.7              | 200                 | 5640            |
| 160      | 8.8              | 200                 | 5640            |
| 136      | 10               | 200                 | 5640            |
| 127      | 11               | 200                 | 5640            |
| 110      | 13               | 200                 | 5640            |
| 96       | 15               | 200                 | 5640            |

| HWK47R37 |                  | 400Nm               |                 |
|----------|------------------|---------------------|-----------------|
| i        | $n_a$<br>[r/min] | $M_{am-ax}$<br>[Nm] | $F_{Re}$<br>[N] |
| 10138    | 0.14             | 400                 | 5920            |
| 8534     | 0.16             | 400                 | 5920            |
| 7662     | 0.18             | 400                 | 5920            |
| 6826     | 0.21             | 400                 | 5920            |
| 5983     | 0.23             | 400                 | 5920            |
| 5159     | 0.27             | 400                 | 5920            |
| 4601     | 0.30             | 400                 | 5920            |
| 3940     | 0.36             | 400                 | 5920            |
| 3477     | 0.40             | 400                 | 5920            |
| 3043     | 0.46             | 400                 | 5920            |
| 2733     | 0.51             | 400                 | 5920            |
| 2354     | 0.59             | 400                 | 5920            |
| 2063     | 0.68             | 400                 | 5920            |
| 1819     | 0.77             | 400                 | 5920            |
| 1586     | 0.88             | 400                 | 5920            |
| 1388     | 1.0              | 400                 | 5920            |
| 1222     | 1.1              | 400                 | 5920            |
| 1097     | 1.3              | 400                 | 5920            |
| 945      | 1.5              | 400                 | 5920            |
| 831      | 1.7              | 400                 | 5920            |
| 718      | 1.9              | 400                 | 5920            |
| 639      | 2.2              | 400                 | 5920            |
| 552      | 2.5              | 400                 | 5920            |
| 495      | 2.8              | 400                 | 5920            |
| 426      | 3.3              | 400                 | 5920            |
| 375      | 3.7              | 400                 | 5920            |
| 327      | 4.3              | 400                 | 5920            |
| 289      | 4.8              | 400                 | 5920            |
| 256      | 5.5              | 400                 | 5920            |
| 225      | 6.2              | 400                 | 5920            |
| 198      | 7.1              | 400                 | 5920            |
| 171      | 8.2              | 400                 | 5920            |
| 153      | 9.2              | 400                 | 5920            |
| 131      | 11               | 400                 | 5920            |
| 112      | 13               | 400                 | 5920            |
| 99       | 14               | 400                 | 5920            |
| 94       | 15               | 400                 | 5920            |

| HWK57R37 |                  | 6000Nm              |                 |
|----------|------------------|---------------------|-----------------|
| i        | $n_a$<br>[r/min] | $M_{am-ax}$<br>[Nm] | $F_{Re}$<br>[N] |
| 12169    | 0.12             | 600                 | 7470            |
| 11162    | 0.13             | 600                 | 7470            |
| 9503     | 0.15             | 600                 | 7470            |
| 8547     | 0.16             | 600                 | 7470            |
| 7277     | 0.19             | 600                 | 7470            |
| 6478     | 0.22             | 600                 | 7470            |
| 5662     | 0.25             | 600                 | 7470            |
| 5033     | 0.28             | 600                 | 7470            |
| 4340     | 0.32             | 600                 | 7470            |
| 3854     | 0.36             | 600                 | 7470            |
| 3390     | 0.41             | 600                 | 7470            |
| 2924     | 0.48             | 600                 | 7470            |
| 2593     | 0.54             | 600                 | 7470            |
| 2249     | 0.62             | 600                 | 7470            |
| 1986     | 0.70             | 600                 | 7470            |
| 1743     | 0.80             | 600                 | 7470            |
| 1539     | 0.91             | 600                 | 7470            |
| 1354     | 1.0              | 600                 | 7470            |
| 1174     | 1.2              | 600                 | 7470            |
| 1036     | 1.4              | 600                 | 7470            |
| 906      | 1.5              | 600                 | 7470            |
| 806      | 1.7              | 600                 | 7470            |
| 699      | 2.0              | 600                 | 7470            |
| 615      | 2.3              | 600                 | 7470            |
| 544      | 2.6              | 600                 | 7470            |
| 473      | 3.0              | 600                 | 7470            |
| 421      | 3.3              | 600                 | 7470            |
| 362      | 3.9              | 600                 | 7470            |
| 319      | 4.4              | 600                 | 7470            |
| 280      | 5.0              | 600                 | 7470            |
| 246      | 5.7              | 600                 | 7470            |
| 215      | 6.5              | 600                 | 7470            |
| 192      | 7.3              | 600                 | 7470            |
| 166      | 8.4              | 600                 | 7470            |
| 145      | 9.7              | 600                 | 7470            |
| 129      | 11               | 600                 | 7470            |
| 111      | 13               | 600                 | 7470            |
| 97       | 14               | 600                 | 7470            |

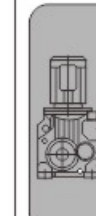
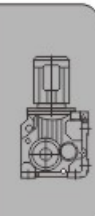
HWK67/77R37, HWK87R57

| HWK67R37 |                  | 820Nm               |                 |
|----------|------------------|---------------------|-----------------|
| i        | $n_a$<br>[r/min] | $M_{am-ax}$<br>[Nm] | $F_{Ra}$<br>[N] |
| 12139    | 0.12             | 820                 | 10300           |
| 11134    | 0.13             | 820                 | 10300           |
| 9479     | 0.15             | 820                 | 10300           |
| 8173     | 0.17             | 820                 | 10300           |
| 7259     | 0.19             | 820                 | 10300           |
| 6462     | 0.22             | 820                 | 10300           |
| 5648     | 0.25             | 820                 | 10300           |
| 4846     | 0.29             | 820                 | 10300           |
| 4329     | 0.32             | 820                 | 10300           |
| 3750     | 0.37             | 820                 | 10300           |
| 3315     | 0.42             | 820                 | 10300           |
| 2917     | 0.48             | 820                 | 10300           |
| 2532     | 0.55             | 820                 | 10300           |
| 2244     | 0.62             | 820                 | 10300           |
| 1981     | 0.71             | 820                 | 10300           |
| 1739     | 0.81             | 820                 | 10300           |
| 1535     | 0.91             | 820                 | 10300           |
| 1351     | 1.0              | 820                 | 10300           |
| 1171     | 1.2              | 820                 | 10300           |
| 1034     | 1.4              | 820                 | 10300           |
| 903      | 1.6              | 820                 | 10300           |
| 793      | 1.8              | 820                 | 10300           |
| 697      | 2.0              | 820                 | 10300           |
| 613      | 2.3              | 820                 | 10300           |
| 542      | 2.6              | 820                 | 10300           |
| 471      | 3.0              | 820                 | 10300           |
| 420      | 3.3              | 820                 | 10300           |
| 361      | 3.9              | 820                 | 10300           |
| 323      | 4.3              | 820                 | 10300           |
| 279      | 5.0              | 820                 | 10300           |
| 246      | 5.7              | 820                 | 10300           |
| 217      | 6.5              | 820                 | 10300           |
| 191      | 7.3              | 820                 | 10300           |
| 166      | 8.4              | 820                 | 10300           |
| 144      | 9.7              | 820                 | 10300           |
| 122      | 11               | 820                 | 10300           |

$n_2=1400$  r/min

| HWK77R37 |                  | 1550Nm              |                 |
|----------|------------------|---------------------|-----------------|
| i        | $n_a$<br>[r/min] | $M_{am-ax}$<br>[Nm] | $F_{Ra}$<br>[N] |
| 15310    | 0.09             | 1550                | 15400           |
| 14043    | 0.10             | 1550                | 15400           |
| 11955    | 0.12             | 1550                | 15400           |
| 10217    | 0.14             | 1550                | 15400           |
| 8809     | 0.16             | 1550                | 15400           |
| 7528     | 0.19             | 1550                | 15400           |
| 6606     | 0.21             | 1550                | 15400           |
| 5774     | 0.24             | 1550                | 15400           |
| 5089     | 0.28             | 1550                | 15400           |
| 4489     | 0.31             | 1550                | 15400           |
| 3961     | 0.35             | 1550                | 15400           |
| 3485     | 0.40             | 1550                | 15400           |
| 2901     | 0.48             | 1550                | 15400           |
| 2717     | 0.52             | 1550                | 15400           |
| 2370     | 0.59             | 1550                | 15400           |
| 2050     | 0.68             | 1550                | 15400           |
| 1772     | 0.79             | 1550                | 15400           |
| 1514     | 0.92             | 1550                | 15400           |
| 1388     | 1.0              | 1550                | 15400           |
| 1218     | 1.1              | 1550                | 15400           |
| 1053     | 1.3              | 1550                | 15400           |
| 924      | 1.5              | 1550                | 15400           |
| 815      | 1.7              | 1550                | 15400           |
| 709      | 2.0              | 1550                | 15400           |
| 622      | 2.3              | 1550                | 15400           |
| 552      | 2.5              | 1550                | 15400           |
| 485      | 2.9              | 1550                | 15400           |
| 428      | 3.3              | 1550                | 15400           |
| 367      | 3.8              | 1550                | 15400           |
| 328      | 4.3              | 1550                | 15400           |
| 290      | 4.8              | 1550                | 15400           |
| 252      | 5.6              | 1550                | 15400           |
| 221      | 6.3              | 1550                | 15400           |
| 195      | 7.2              | 1550                | 15400           |
| 175      | 8.0              | 1550                | 15400           |
| 154      | 9.1              | 1550                | 15400           |

| HWK87R57 |                  | 2700Nm              |                 |
|----------|------------------|---------------------|-----------------|
| i        | $n_a$<br>[r/min] | $M_{am-ax}$<br>[Nm] | $F_{Ra}$<br>[N] |
| 14829    | 0.09             | 2700                | 27300           |
| 13168    | 0.11             | 2700                | 27300           |
| 11737    | 0.12             | 2700                | 27300           |
| 10217    | 0.14             | 2700                | 27300           |
| 9073     | 0.15             | 2700                | 27300           |
| 7854     | 0.18             | 2700                | 27300           |
| 6832     | 0.20             | 2700                | 27300           |
| 5930     | 0.24             | 2700                | 27300           |
| 5240     | 0.27             | 2700                | 27300           |
| 4562     | 0.31             | 2700                | 27300           |
| 4037     | 0.35             | 2700                | 27300           |
| 3609     | 0.39             | 2700                | 27300           |
| 3107     | 0.45             | 2700                | 27300           |
| 2728     | 0.51             | 2700                | 27300           |
| 2371     | 0.59             | 2700                | 27300           |
| 2088     | 0.67             | 2700                | 27300           |
| 1854     | 0.76             | 2700                | 27300           |
| 1657     | 0.84             | 2700                | 27300           |
| 1415     | 0.99             | 2700                | 27300           |
| 1229     | 1.1              | 2700                | 27300           |
| 1078     | 1.3              | 2700                | 27300           |
| 951      | 1.5              | 2700                | 27300           |
| 837      | 1.7              | 2700                | 27300           |
| 726      | 1.9              | 2700                | 27300           |
| 638      | 2.2              | 2700                | 27300           |
| 562      | 2.5              | 2700                | 27300           |
| 474      | 3.3              | 2700                | 27300           |
| 426      | 3.3              | 2700                | 27300           |
| 373      | 3.8              | 2700                | 27300           |
| 330      | 4.2              | 2700                | 27300           |
| 294      | 4.8              | 2700                | 27300           |
| 250      | 5.6              | 2700                | 27300           |
| 236      | 5.9              | 2700                | 27300           |
| 201      | 7.0              | 2700                | 27300           |
| 183      | 7.7              | 2700                | 27300           |
| 159      | 8.8              | 2700                | 27300           |
| 141      | 9.9              | 2700                | 27400           |



HWK97R57, HWK107/127R77

$n_2=1400$  r/min

| HWK97R57 820Nm |                  |                    |                 |
|----------------|------------------|--------------------|-----------------|
| i              | $n_1$<br>[r/min] | $M_{amax}$<br>[Nm] | $F_{Ra}$<br>[N] |
| 18091          | 0.08             | 4300               | 40000           |
| 16666          | 0.08             | 4300               | 40000           |
| 14897          | 0.09             | 4300               | 40000           |
| 13182          | 0.11             | 4300               | 40000           |
| 11677          | 0.12             | 4300               | 40000           |
| 10317          | 0.14             | 4300               | 40000           |
| 9083           | 0.15             | 4300               | 40000           |
| 8054           | 0.17             | 4300               | 40000           |
| 6970           | 0.20             | 4300               | 40000           |
| 6027           | 0.23             | 4300               | 40000           |
| 5391           | 0.26             | 4300               | 40000           |
| 4669           | 0.30             | 4300               | 40000           |
| 4082           | 0.34             | 4300               | 40000           |
| 3583           | 0.39             | 4300               | 40000           |
| 3108           | 0.45             | 4300               | 40000           |
| 2757           | 0.51             | 4300               | 40000           |
| 2419           | 0.58             | 4300               | 40000           |
| 2123           | 0.66             | 4300               | 40000           |
| 1856           | 0.75             | 4300               | 40000           |
| 1625           | 0.86             | 4300               | 40000           |
| 1430           | 0.98             | 4300               | 40000           |
| 1261           | 1.1              | 4300               | 40000           |
| 1102           | 1.3              | 4300               | 40000           |
| 957            | 1.5              | 4300               | 40000           |
| 855            | 1.6              | 4300               | 40000           |
| 743            | 1.9              | 4300               | 40000           |
| 652            | 2.1              | 4300               | 40000           |
| 573            | 2.4              | 4300               | 40000           |
| 504            | 2.8              | 4300               | 40000           |
| 439            | 3.2              | 4300               | 40000           |
| 382            | 3.7              | 4300               | 40000           |
| 342            | 4.1              | 4300               | 40000           |
| 305            | 4.6              | 4300               | 40000           |
| 258            | 5.4              | 4300               | 40000           |
| 232            | 6.0              | 4300               | 40000           |
| 199            | 7.0              | 4300               | 40000           |

| HWK107R77 8000Nm |                  |                    |                 |
|------------------|------------------|--------------------|-----------------|
| i                | $n_1$<br>[r/min] | $M_{amax}$<br>[Nm] | $F_{Ra}$<br>[N] |
| 14311            | 0.10             | 8000               | 65000           |
| 12211            | 0.11             | 8000               | 65000           |
| 10677            | 0.13             | 8000               | 65000           |
| 9524             | 0.15             | 8000               | 65000           |
| 8328             | 0.17             | 8000               | 65000           |
| 7270             | 0.19             | 8000               | 65000           |
| 6184             | 0.23             | 8000               | 65000           |
| 5662             | 0.25             | 8000               | 65000           |
| 5138             | 0.27             | 8000               | 65000           |
| 4359             | 0.32             | 8000               | 65000           |
| 3810             | 0.37             | 8000               | 65000           |
| 3358             | 0.42             | 8000               | 65000           |
| 2977             | 0.47             | 8000               | 65000           |
| 2599             | 0.54             | 8000               | 65000           |
| 2286             | 0.61             | 8000               | 65000           |
| 1939             | 0.72             | 8000               | 65000           |
| 1713             | 0.82             | 8000               | 65000           |
| 1554             | 0.90             | 8000               | 65000           |
| 1336             | 1.0              | 8000               | 65000           |
| 1166             | 1.2              | 8000               | 65000           |
| 1030             | 1.4              | 8000               | 65000           |
| 904              | 1.5              | 8000               | 65000           |
| 793              | 1.8              | 8000               | 65000           |
| 696              | 2.0              | 8000               | 65000           |
| 615              | 2.3              | 8000               | 65000           |
| 522              | 2.7              | 8000               | 65000           |
| 461              | 3.0              | 8000               | 65000           |
| 408              | 3.4              | 8000               | 65000           |
| 364              | 3.8              | 8000               | 65000           |
| 318              | 4.4              | 8000               | 65000           |
| 286              | 4.9              | 8000               | 65000           |
| 251              | 5.6              | 8000               | 65000           |
| 222              | 6.3              | 8000               | 65000           |
| 196              | 7.1              | 8000               | 65000           |
| 174              | 8.0              | 7200               | 65000           |
| 154              | 9.1              | 7200               | 65000           |
| 140              | 10               | 7200               | 65000           |

| HWK127R77 13000Nm |                  |                    |                 |
|-------------------|------------------|--------------------|-----------------|
| i                 | $n_1$<br>[r/min] | $M_{amax}$<br>[Nm] | $F_{Ra}$<br>[N] |
| 17550             | 0.08             | 13000              | 79200           |
| 16006             | 0.09             | 13000              | 79200           |
| 14975             | 0.09             | 13000              | 79200           |
| 12440             | 0.11             | 13000              | 79200           |
| 10915             | 0.13             | 13000              | 79200           |
| 9819              | 0.14             | 13000              | 79200           |
| 8443              | 0.17             | 13000              | 79200           |
| 7482              | 0.19             | 13000              | 79200           |
| 6565              | 0.21             | 13000              | 79200           |
| 5804              | 0.24             | 13000              | 79200           |
| 5027              | 0.28             | 13000              | 79200           |
| 4423              | 0.32             | 13000              | 79200           |
| 3889              | 0.36             | 13000              | 79200           |
| 3311              | 0.42             | 13000              | 79200           |
| 3009              | 0.47             | 13000              | 79200           |
| 2607              | 0.54             | 13000              | 79200           |
| 2268              | 0.62             | 13000              | 79200           |
| 1926              | 0.73             | 13000              | 79200           |
| 1757              | 0.80             | 13000              | 79200           |
| 1541              | 0.91             | 13000              | 79200           |
| 1342              | 1.0              | 13000              | 79200           |
| 1177              | 1.2              | 13000              | 79200           |
| 1025              | 1.4              | 13000              | 79200           |
| 899               | 1.6              | 13000              | 79200           |
| 790               | 1.8              | 13000              | 79200           |
| 704               | 2.0              | 13000              | 79200           |
| 610               | 2.3              | 13000              | 79200           |
| 549               | 2.6              | 13000              | 79200           |
| 477               | 2.9              | 13000              | 79200           |
| 418               | 3.3              | 13000              | 79200           |

HWK 127R87, HWK 157R97, HWK 157R107  $n_2=1400$  r/min

| HWK127R87 13000Nm |                  |                    |                 |
|-------------------|------------------|--------------------|-----------------|
| i                 | $n_1$<br>[r/min] | $M_{amax}$<br>[Nm] | $F_{Ra}$<br>[N] |
| 536               | 2.6              | 13000              | 79200           |
| 473               | 3.0              | 13000              | 79200           |
| 418               | 3.3              | 13000              | 79200           |
| 367               | 3.8              | 13000              | 79200           |
| 330               | 4.2              | 13000              | 79200           |
| 287               | 4.9              | 13000              | 79200           |
| 253               | 5.5              | 13000              | 79200           |
| 213               | 6.6              | 13000              | 79200           |
| 200               | 7.0              | 13000              | 79200           |
| 166               | 8.4              | 13000              | 79200           |
| 147               | 9.5              | 13000              | 79200           |

| HWK157R97 18000Nm |                  |                    |                 |
|-------------------|------------------|--------------------|-----------------|
| i                 | $n_1$<br>[r/min] | $M_{amax}$<br>[Nm] | $F_{Ra}$<br>[N] |
| 17679             | 0.08             | 18000              | 112200          |
| 15729             | 0.09             | 18000              | 112200          |
| 14721             | 0.10             | 18000              | 112200          |
| 13097             | 0.11             | 18000              | 112200          |
| 11368             | 0.12             | 18000              | 112200          |
| 10114             | 0.14             | 18000              | 112200          |
| 8718              | 0.16             | 18000              | 112200          |
| 7734              | 0.18             | 18000              | 112200          |
| 6881              | 0.20             | 18000              | 112200          |
| 5931              | 0.24             | 18000              | 112200          |
| 5074              | 0.28             | 18000              | 112200          |
| 4514              | 0.31             | 18000              | 112200          |
| 3979              | 0.35             | 18000              | 112200          |
| 3516              | 0.40             | 18000              | 112200          |
| 3051              | 0.46             | 18000              | 112200          |
| 2610              | 0.54             | 18000              | 112200          |
| 2322              | 0.60             | 18000              | 112200          |
| 2029              | 0.69             | 18000              | 112200          |
| 1805              | 0.78             | 18000              | 112200          |
| 1659              | 0.84             | 18000              | 112200          |
| 1365              | 1.0              | 18000              | 112200          |
| 1229              | 1.1              | 18000              | 112200          |
| 1093              | 1.3              | 18000              | 112200          |
| 942               | 1.5              | 18000              | 112200          |
| 854               | 1.6              | 18000              | 112200          |
| 756               | 1.9              | 18000              | 112200          |
| 661               | 2.1              | 18000              | 112200          |
| 567               | 2.5              | 18000              | 112200          |
| 504               | 2.8              | 18000              | 112200          |
| 434               | 3.2              | 18000              | 112200          |
| 379               | 3.7              | 18000              | 112200          |
| 333               | 4.2              | 18000              | 112200          |
| 291               | 4.8              | 18000              | 112200          |

| HWK157R107 18000Nm |                  |                    |                 |
|--------------------|------------------|--------------------|-----------------|
| i                  | $n_1$<br>[r/min] | $M_{amax}$<br>[Nm] | $F_{Ra}$<br>[N] |
| 385                | 3.6              | 18000              | 112200          |
| 325                | 4.3              | 18000              | 112200          |
| 299                | 4.7              | 18000              | 112200          |
| 253                | 5.5              | 18000              | 112200          |
| 230                | 6.1              | 18000              | 112200          |
| 213                | 6.6              | 18000              | 112200          |
| 187                | 7.5              | 18000              | 112200          |
| 157                | 8.9              | 18000              | 112200          |
| 122                | 11               | 18000              | 106500          |
| 107                | 13               | 18000              | 100700          |

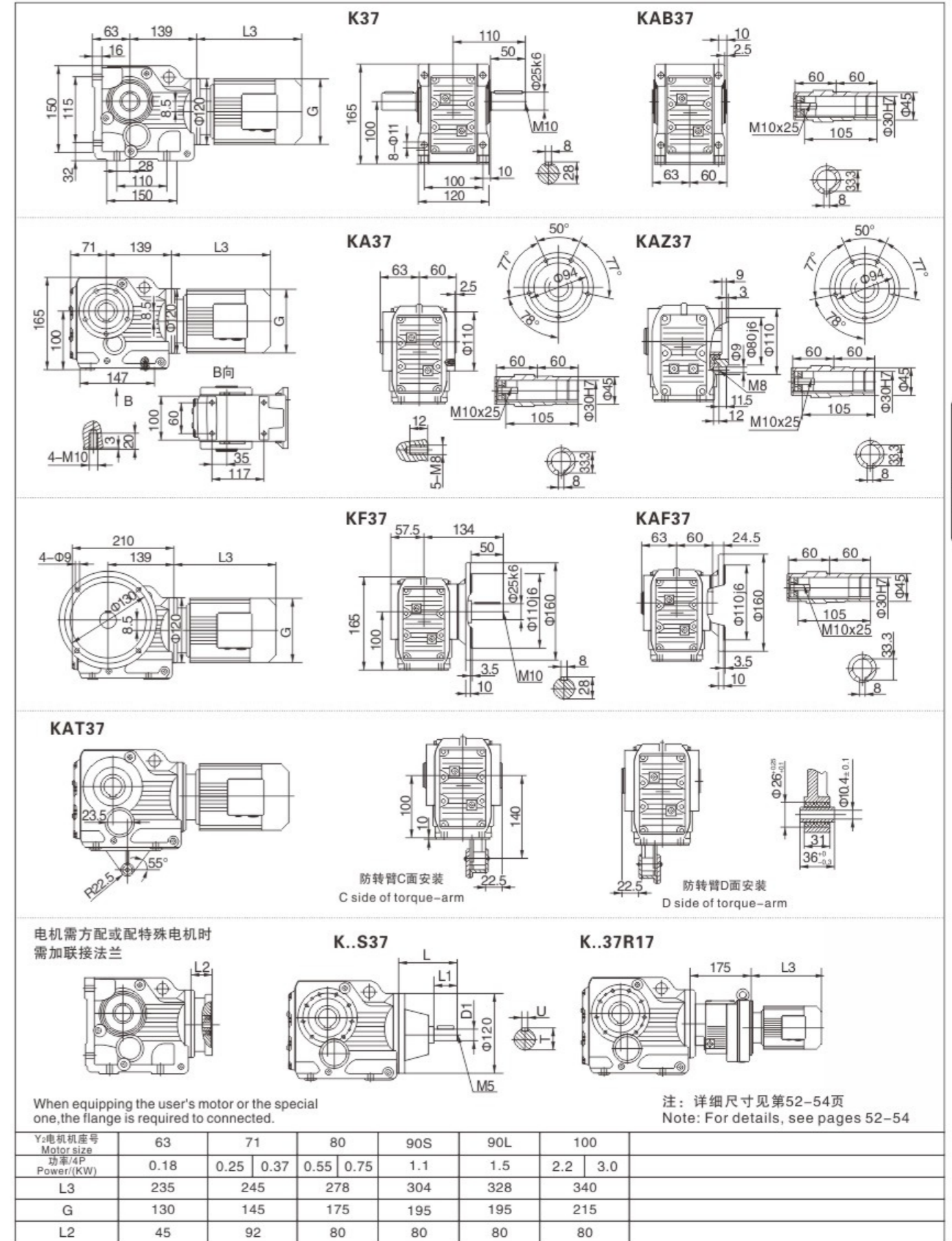
HWK 167/187R97, HWK 167/187R107  $n_2=1400$  r/min

| HWK167R97 |               | 32000Nm          |              |
|-----------|---------------|------------------|--------------|
| i         | $n_a$ [r/min] | $M_{amax}$ [N/m] | $F_{Ra}$ [N] |
| 19723     | 0.07          | 32000            | 15000        |
| 17406     | 0.08          | 32000            | 15000        |
| 15000     | 0.09          | 32000            | 15000        |
| 13238     | 0.11          | 32000            | 15000        |
| 11573     | 0.12          | 32000            | 15000        |
| 10264     | 0.14          | 32000            | 15000        |
| 8628      | 0.16          | 32000            | 15000        |
| 6562      | 0.21          | 32000            | 15000        |
| 5355      | 0.26          | 32000            | 15000        |
| 4788      | 0.29          | 32000            | 15000        |
| 4079      | 0.34          | 32000            | 15000        |
| 3376      | 0.41          | 32000            | 15000        |
| 2755      | 0.51          | 32000            | 15000        |
| 2263      | 0.62          | 32000            | 15000        |
| 2182      | 0.64          | 32000            | 15000        |
| 1704      | 0.82          | 32000            | 15000        |
| 1408      | 0.99          | 32000            | 15000        |
| 1296      | 1.1           | 32000            | 15000        |
| 1101      | 1.3           | 32000            | 15000        |
| 944       | 1.5           | 32000            | 15000        |
| 843       | 1.7           | 32000            | 15000        |
| 757       | 1.8           | 32000            | 15000        |
| 632       | 2.2           | 32000            | 15000        |
| 561       | 2.5           | 32000            | 15000        |
| 481       | 2.9           | 32000            | 15000        |
| 423       | 3.3           | 32000            | 15000        |
| 369       | 3.8           | 32000            | 15000        |

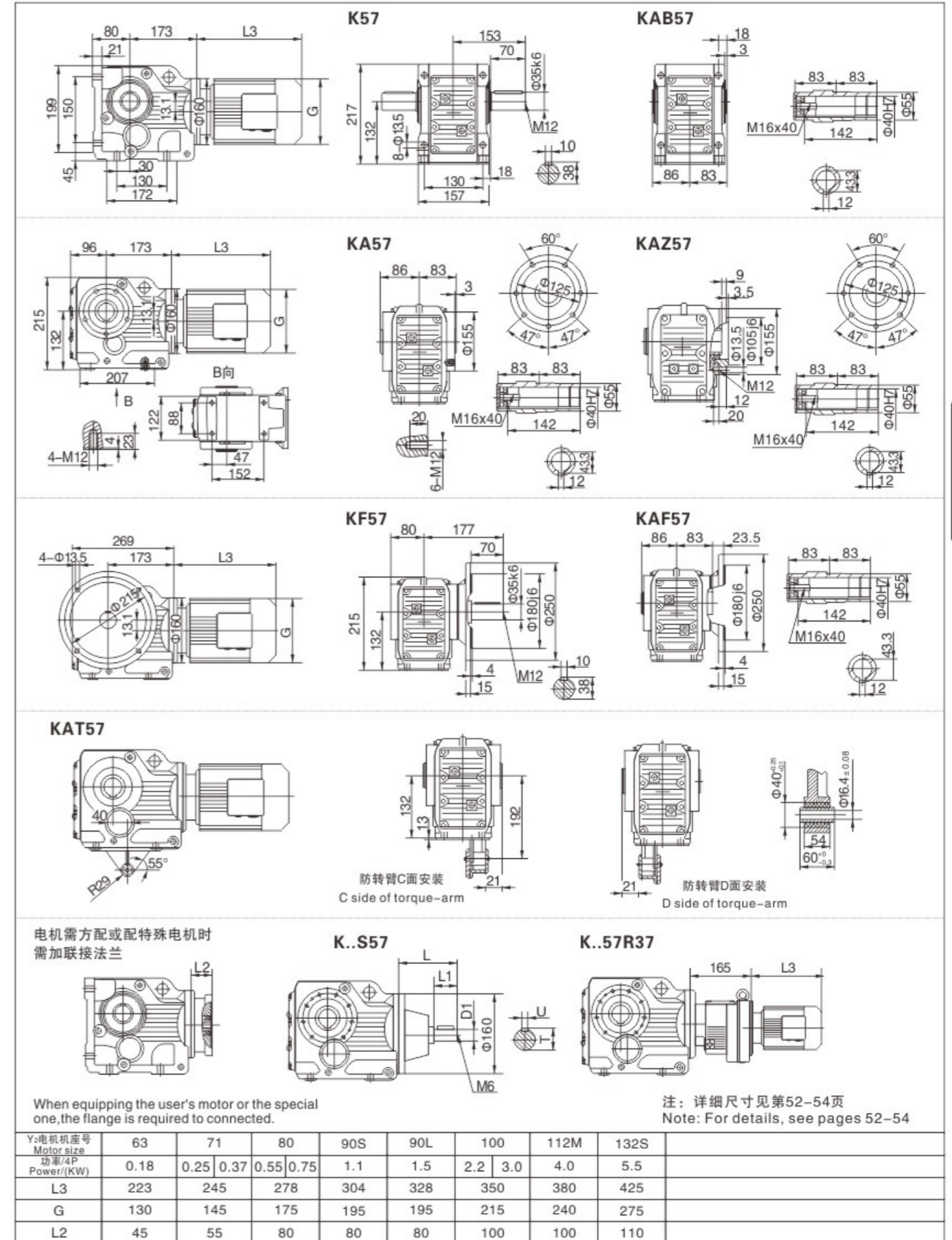
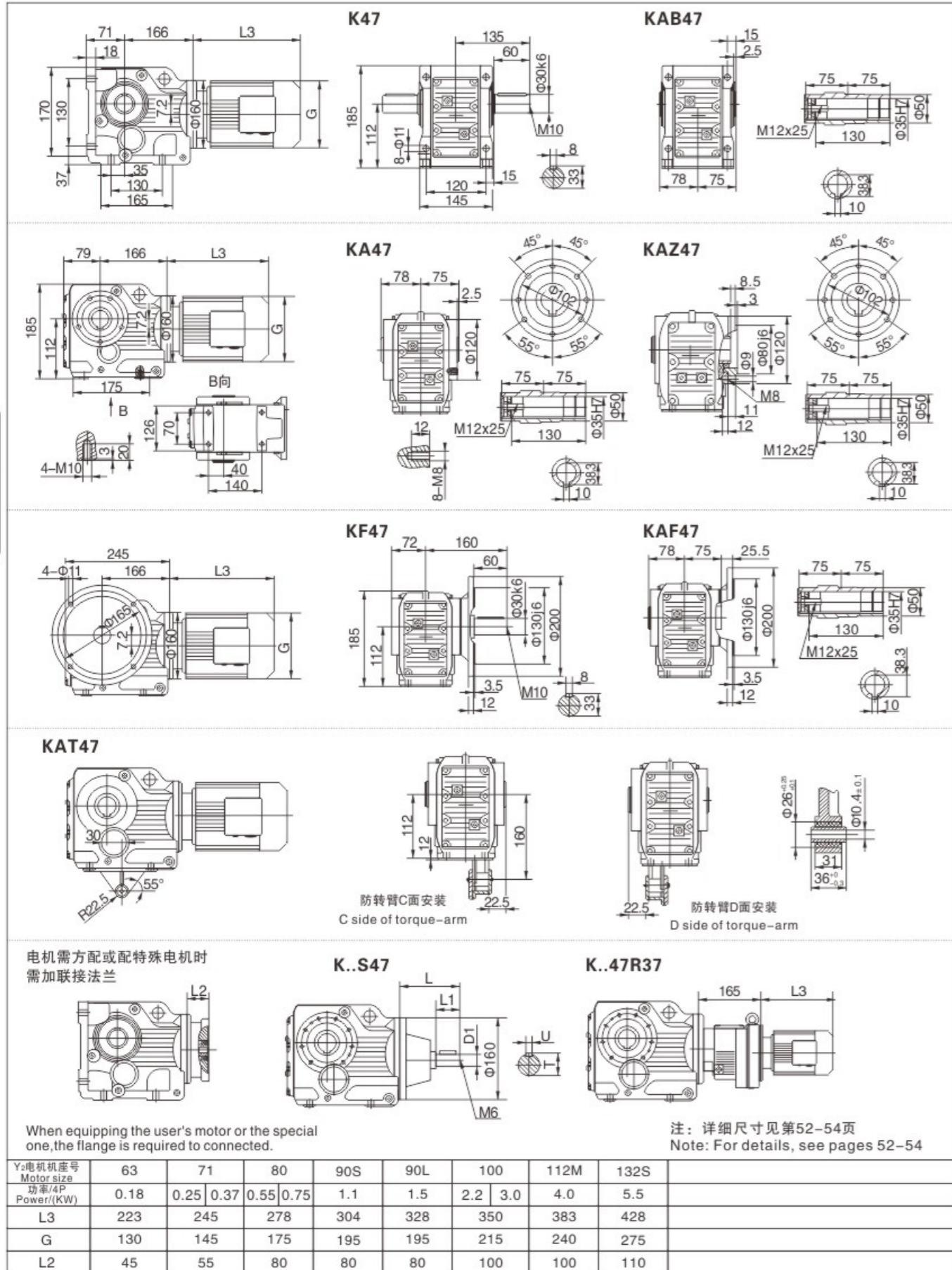
| HWK167R107 |               | 32000Nm          |              |
|------------|---------------|------------------|--------------|
| i          | $n_a$ [r/min] | $M_{amax}$ [N/m] | $F_{Ra}$ [N] |
| 318        | 4.4           | 32000            | 15000        |
| 278        | 5.0           | 32000            | 15000        |
| 244        | 5.7           | 32000            | 15000        |
| 213        | 6.6           | 32000            | 15000        |
| 206        | 6.8           | 32000            | 15000        |
| 180        | 7.8           | 32000            | 15000        |
| 160        | 8.8           | 32000            | 15000        |
| 135        | 10            | 32000            | 15000        |
| 118        | 12            | 32000            | 15000        |

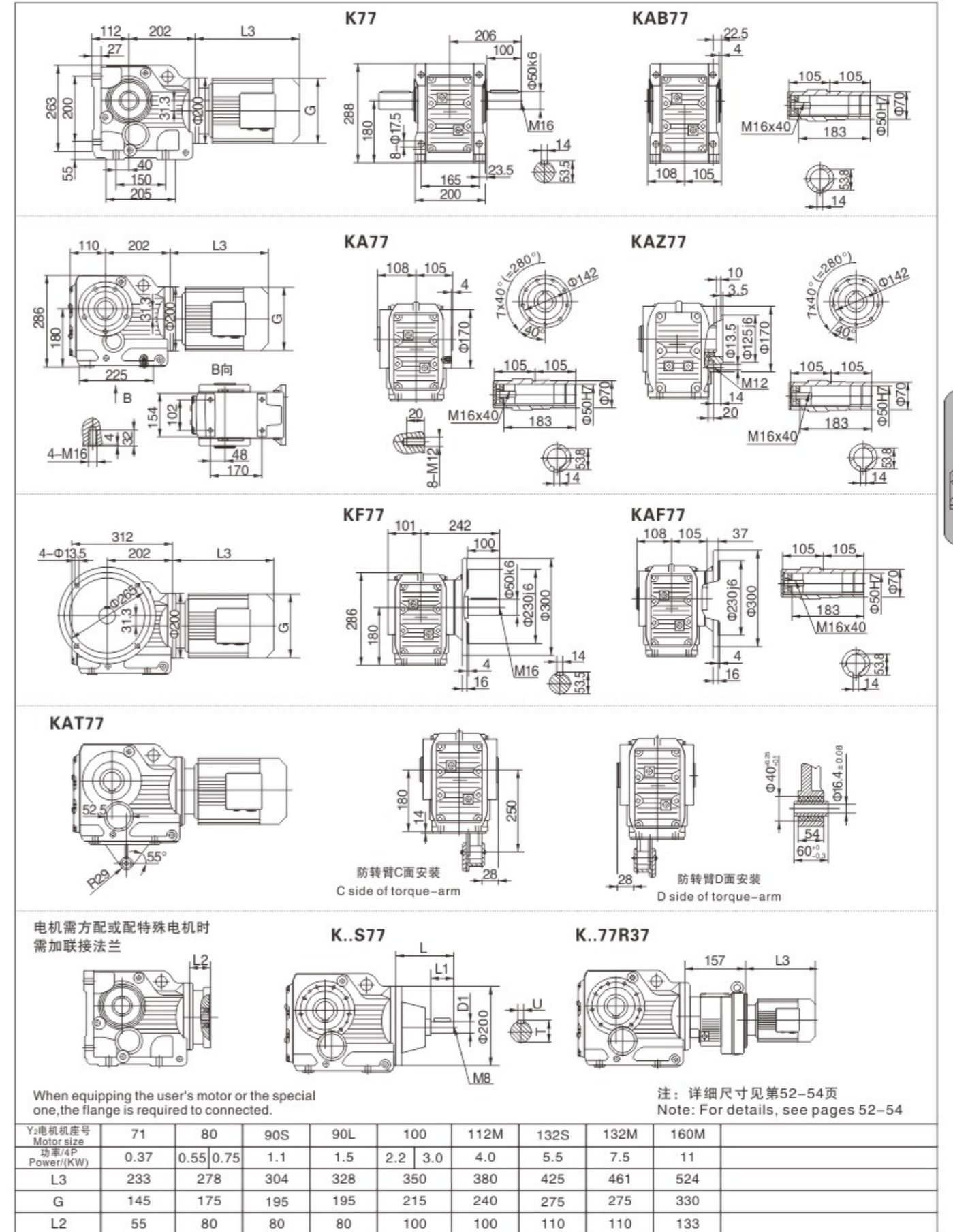
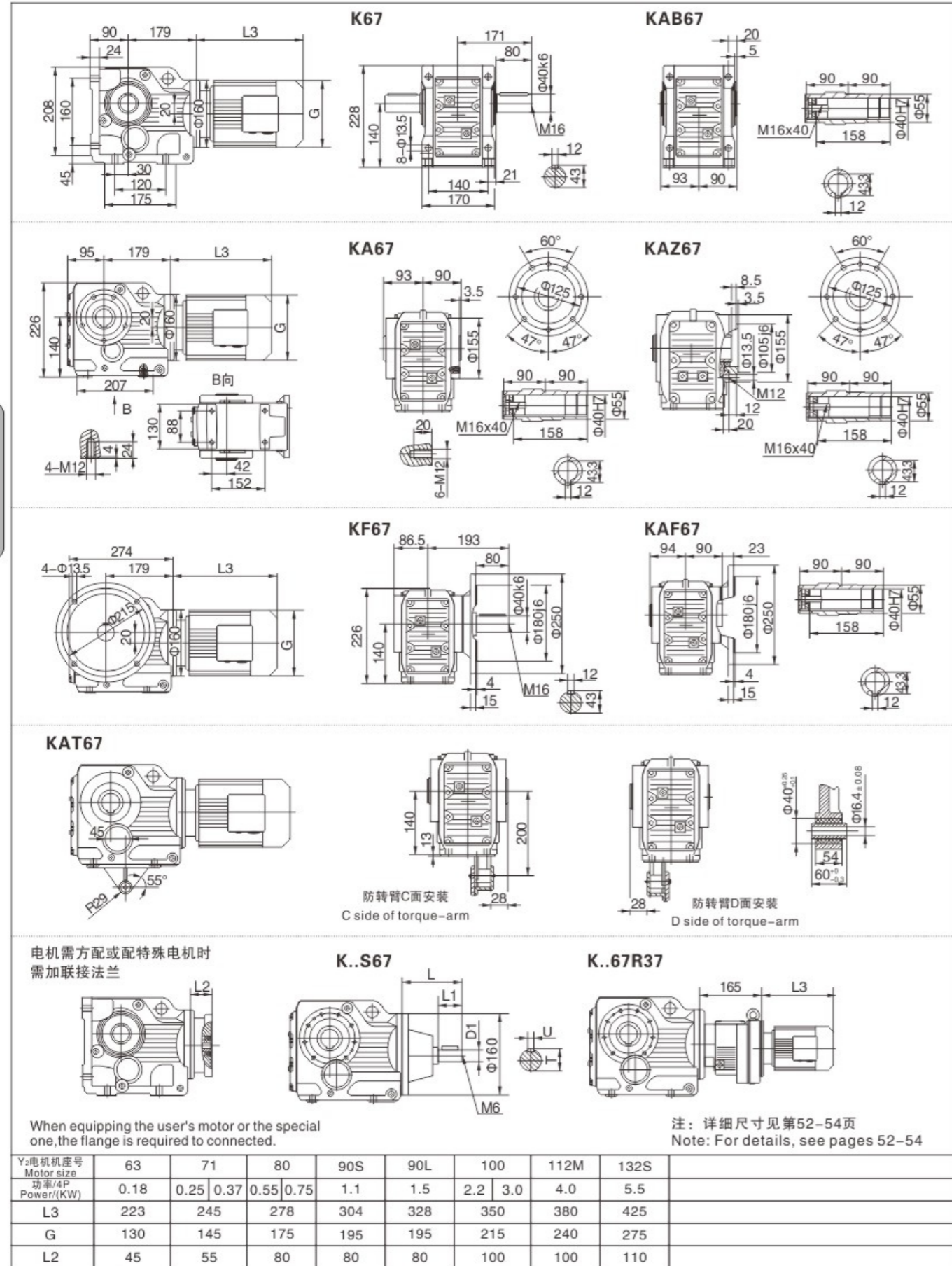
| HWK187R97 |               | 50000Nm          |              |
|-----------|---------------|------------------|--------------|
| i         | $n_a$ [r/min] | $M_{amax}$ [N/m] | $F_{Ra}$ [N] |
| 32625     | 0.04          | 50000            | 190000       |
| 27165     | 0.05          | 50000            | 190000       |
| 24353     | 0.06          | 50000            | 190000       |
| 19144     | 0.07          | 50000            | 190000       |
| 16978     | 0.08          | 50000            | 190000       |
| 14272     | 0.10          | 50000            | 190000       |
| 13116     | 0.11          | 50000            | 190000       |
| 11647     | 0.12          | 50000            | 190000       |
| 10413     | 0.13          | 50000            | 190000       |
| 9363      | 0.15          | 50000            | 190000       |
| 8126      | 0.17          | 50000            | 190000       |
| 7343      | 0.19          | 50000            | 190000       |
| 6747      | 0.21          | 50000            | 190000       |
| 5991      | 0.23          | 50000            | 190000       |
| 5358      | 0.26          | 50000            | 190000       |
| 4817      | 0.29          | 50000            | 190000       |
| 4370      | 0.32          | 50000            | 190000       |
| 3609      | 0.39          | 50000            | 190000       |
| 3062      | 0.46          | 50000            | 190000       |
| 2818      | 0.50          | 50000            | 190000       |
| 2519      | 0.56          | 50000            | 190000       |
| 2268      | 0.62          | 50000            | 190000       |
| 2054      | 0.68          | 50000            | 190000       |
| 1821      | 0.77          | 50000            | 190000       |
| 1605      | 0.87          | 50000            | 190000       |
| 1395      | 1.0           | 50000            | 190000       |
| 1196      | 1.2           | 50000            | 190000       |
| 1046      | 1.3           | 50000            | 190000       |
| 945       | 1.5           | 50000            | 190000       |
| 738       | 1.9           | 50000            | 190000       |
| 621       | 2.3           | 50000            | 190000       |
| 527       | 2.7           | 50000            | 190000       |

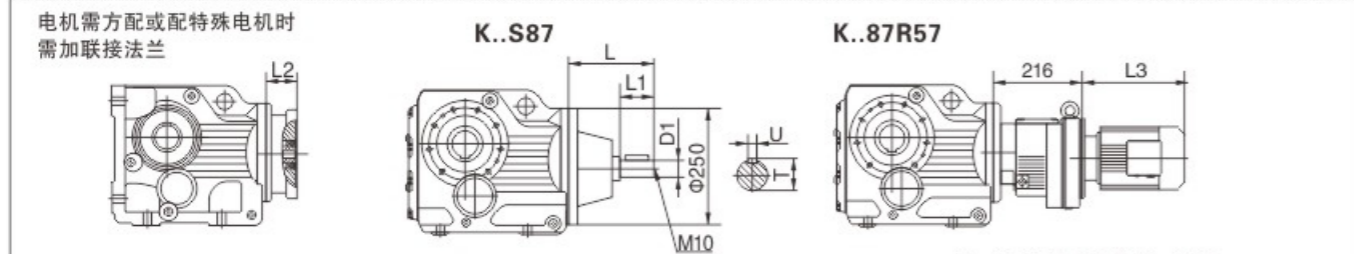
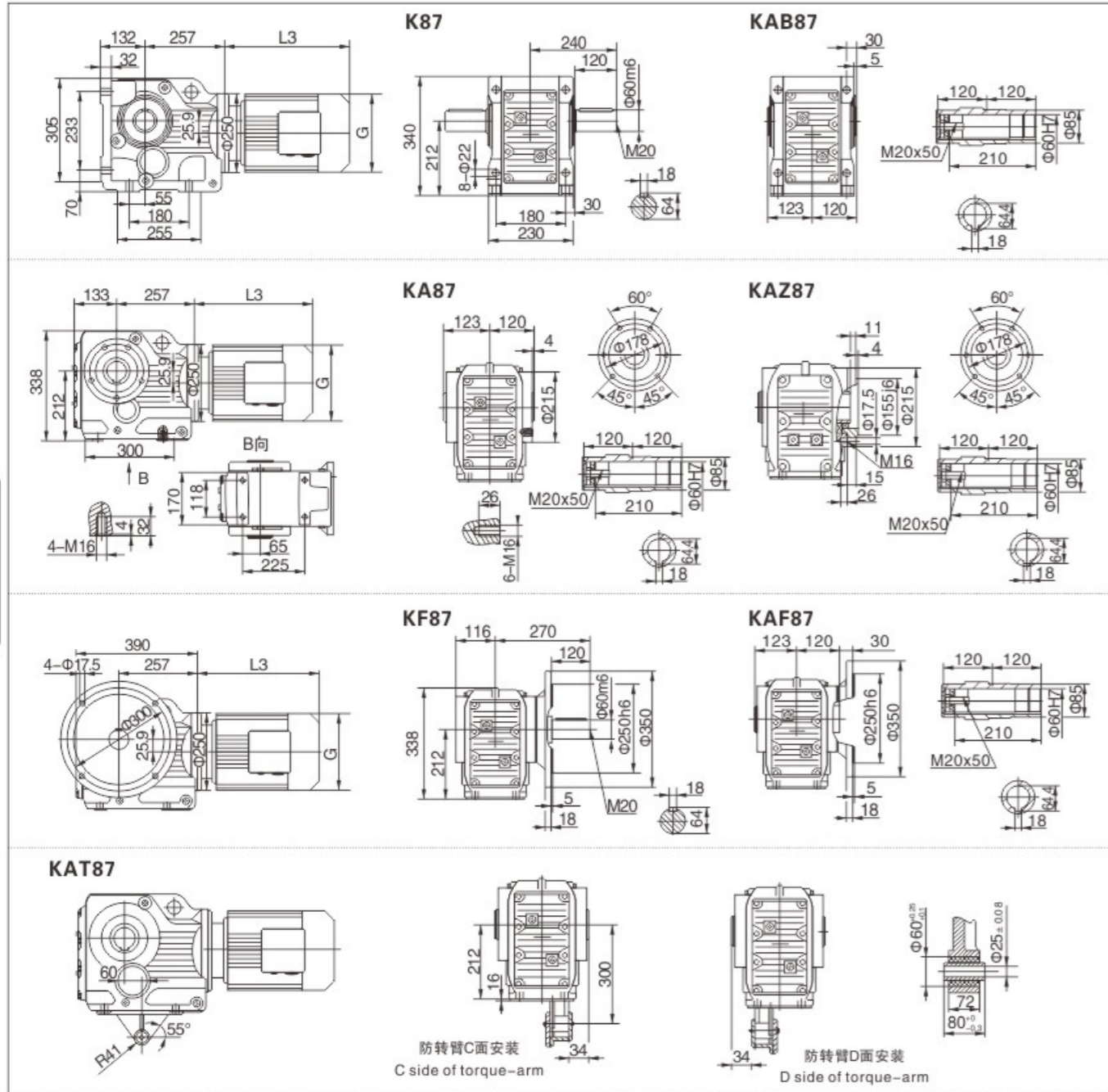
| HWK187R107 |               | 50000Nm          |              |
|------------|---------------|------------------|--------------|
| i          | $n_a$ [r/min] | $M_{amax}$ [N/m] | $F_{Ra}$ [N] |
| 835        | 1.7           | 50000            | 190000       |
| 729        | 1.9           | 50000            | 190000       |
| 622        | 2.3           | 50000            | 190000       |
| 520        | 2.7           | 50000            | 190000       |
| 454        | 3.1           | 50000            | 190000       |
| 355        | 3.9           | 50000            | 190000       |
| 261        | 5.4           | 50000            | 190000       |
| 221        | 6.3           | 50000            | 190000       |
| 193        | 7.3           | 50000            | 190000       |
| 163        | 8.6           | 50000            | 190000       |



注：1.KA、KF、KAF、KAZ壳体为通用件，安装尺寸均可相互参照。 2.“K..”表示K、KA、KF、KAF、KAZ、KAB。  
Note: 1.The housings of KA, KF, KAF, KAZ are common parts. The mounting dimensions may consult each other. 2.“K..”mean K, KA, KF, KAF, KAZ, KAB.





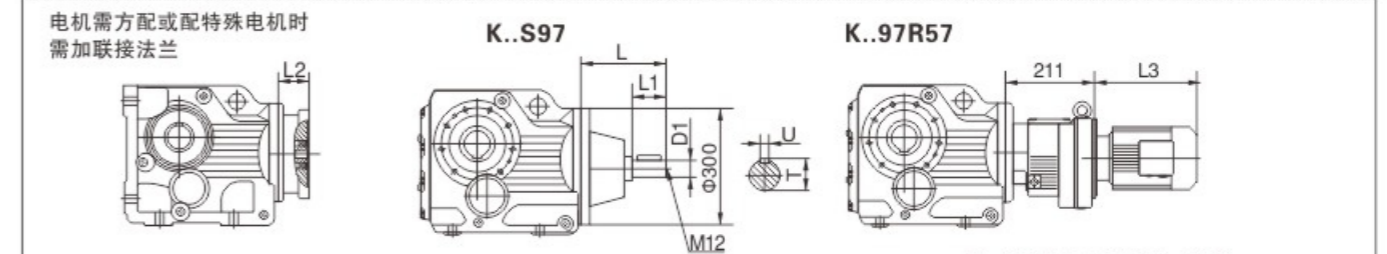
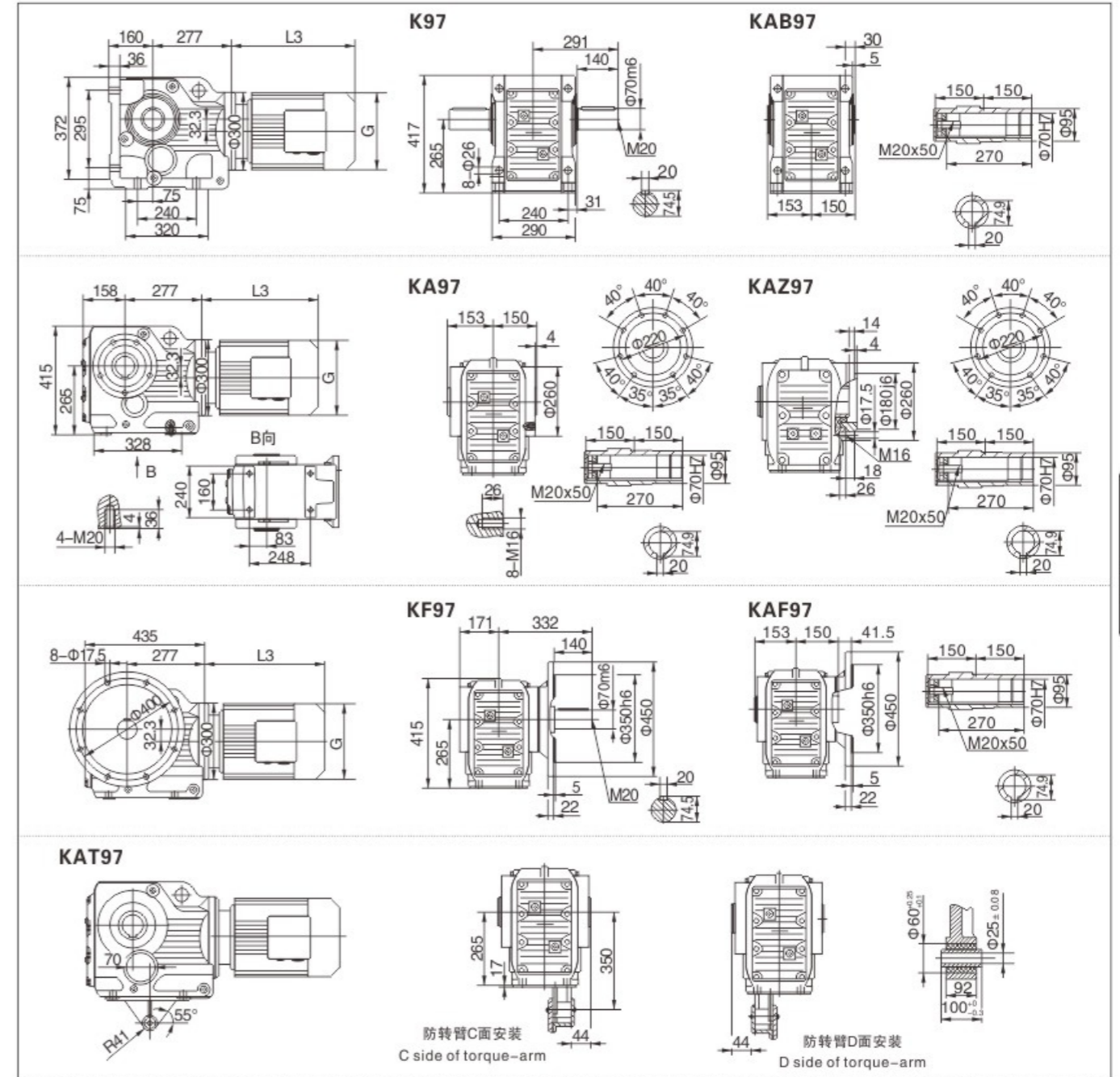


电机需方配或配特殊电机时需加联接法兰  
When equipping the user's motor or the special one, the flange is required to be connected.

注：详细尺寸见第52-54页  
Note: For details, see pages 52-54

| Y:电机座号<br>Motor size | 80   | 90S  | 90L | 100 | 112M | 132S | 132M | 160M | 160L | 180M | 180L |
|----------------------|------|------|-----|-----|------|------|------|------|------|------|------|
| 功率/4P<br>Power/(KW)  | 0.55 | 0.75 | 1.1 | 1.5 | 2.2  | 3.0  | 4.0  | 5.5  | 7.5  | 11   | 15   |
| L3                   | 246  | 280  | 304 | 350 | 380  | 425  | 461  | 524  | 547  | 583  | 616  |
| G                    | 175  | 195  | 195 | 215 | 240  | 275  | 275  | 330  | 330  | 380  | 380  |
| L2                   | 80   | 80   | 80  | 100 | 100  | 110  | 110  | 133  | 133  | 133  | 133  |

注：1.KA、KF、KAF、KAZ壳体为通用件，安装尺寸均可相互参照。 2."K.."表示K、KA、KF、KAF、KAZ、KAB。  
Note: 1.The housings of KA, KF, KAF, KAZ are common parts. The mounting dimensions may consult each other. 2."K.."mean K, KA, KF, KAF, KAZ, KAB.



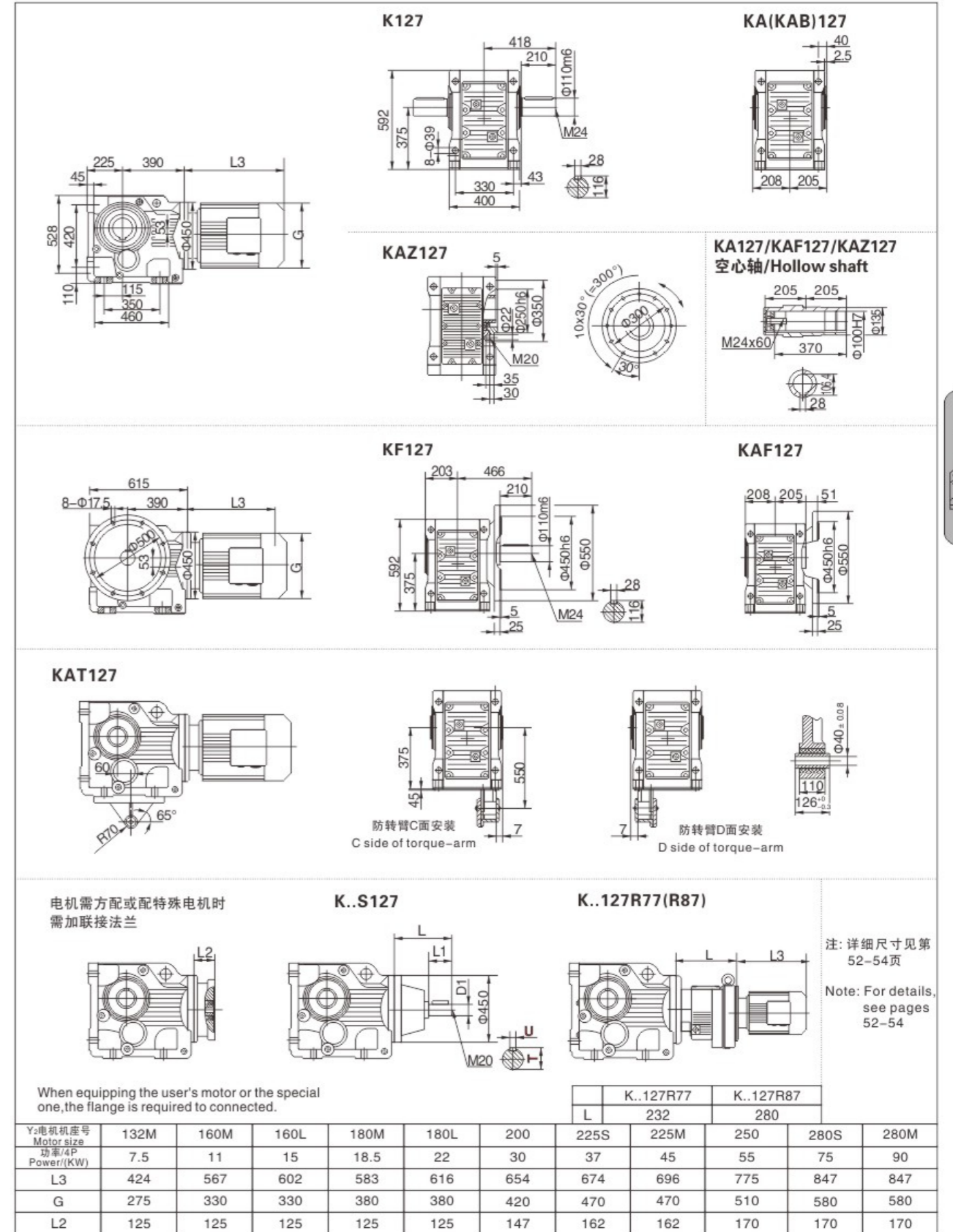
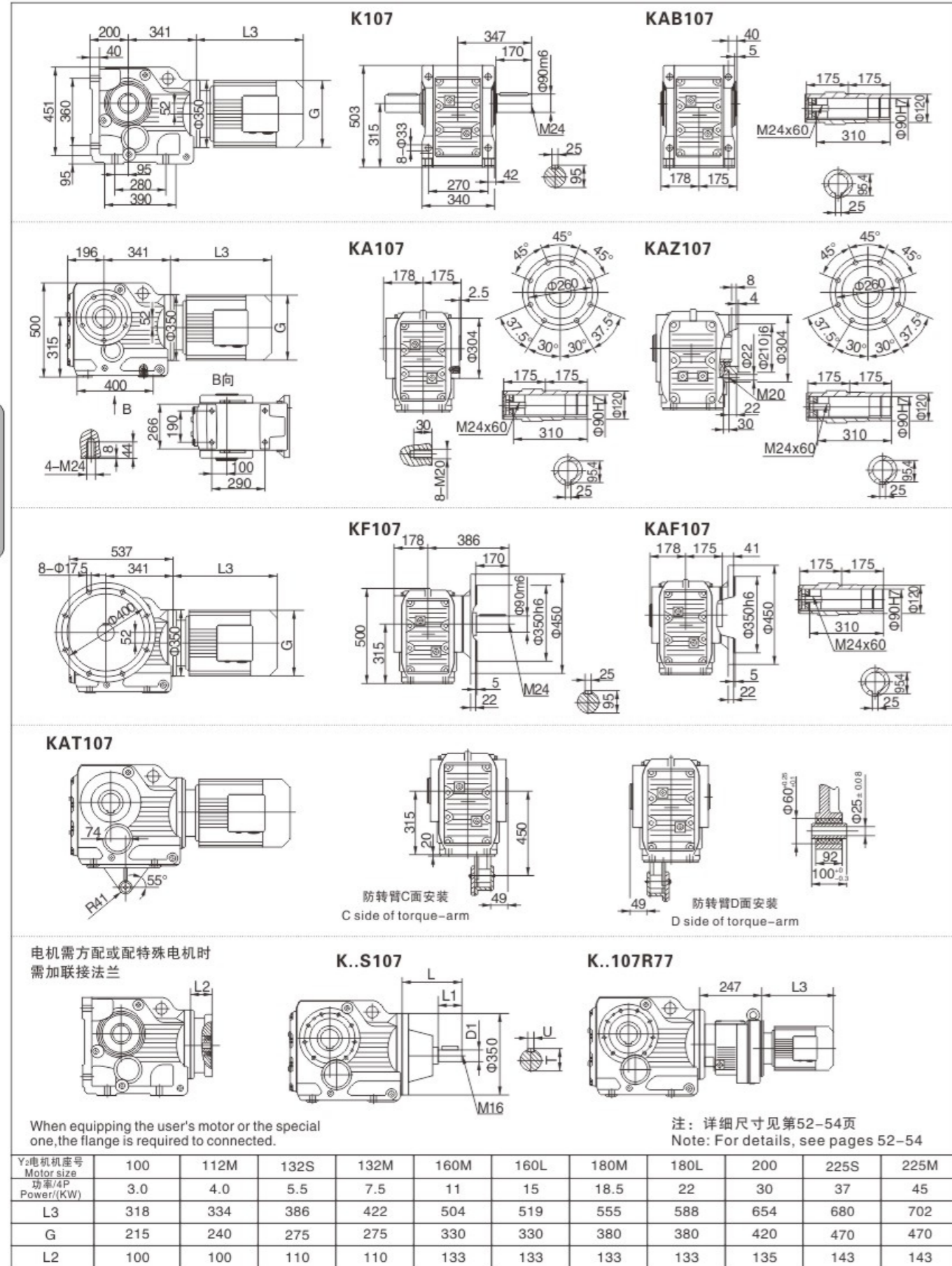
电机需方配或配特殊电机时需加联接法兰  
When equipping the user's motor or the special one, the flange is required to be connected.

注：详细尺寸见第52-54页  
Note: For details, see pages 52-54

| Y:电机座号<br>Motor size | 90S | 90L | 100 | 112M | 132S | 132M | 160M | 160L | 180M | 180L | 200 |
|----------------------|-----|-----|-----|------|------|------|------|------|------|------|-----|
| 功率/4P<br>Power/(KW)  | 1.1 | 1.5 | 2.2 | 3.0  | 4.0  | 5.5  | 7.5  | 11   | 15   | 18.5 | 22  |
| L3                   | 280 | 304 | 315 | 334  | 425  | 461  | 524  | 547  | 555  | 588  | 652 |
| G                    | 195 | 195 | 215 | 240  | 275  | 275  | 330  | 330  | 380  | 380  | 420 |
| L2                   | 107 | 107 | 100 | 100  | 110  | 110  | 133  | 133  | 133  | 133  | 135 |

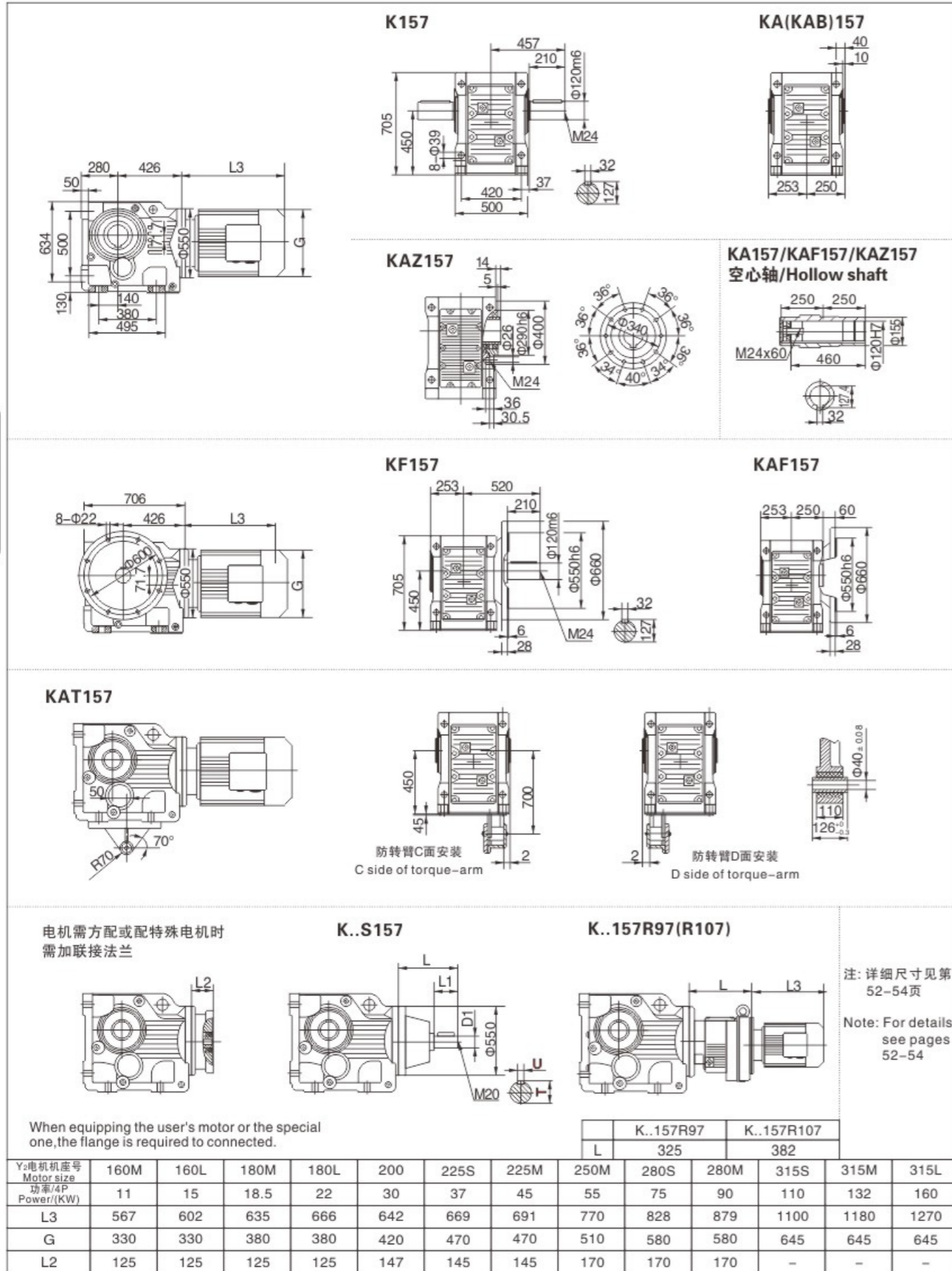
注：1.KA、KF、KAF、KAZ壳体为通用件，安装尺寸均可相互参照。 2."K.."表示K、KA、KF、KAF、KAZ、KAB。  
Note: 1.The housings of KA, KF, KAF, KAZ are common parts. The mounting dimensions may consult each other. 2."K.."mean K, KA, KF, KAF, KAZ, KAB.



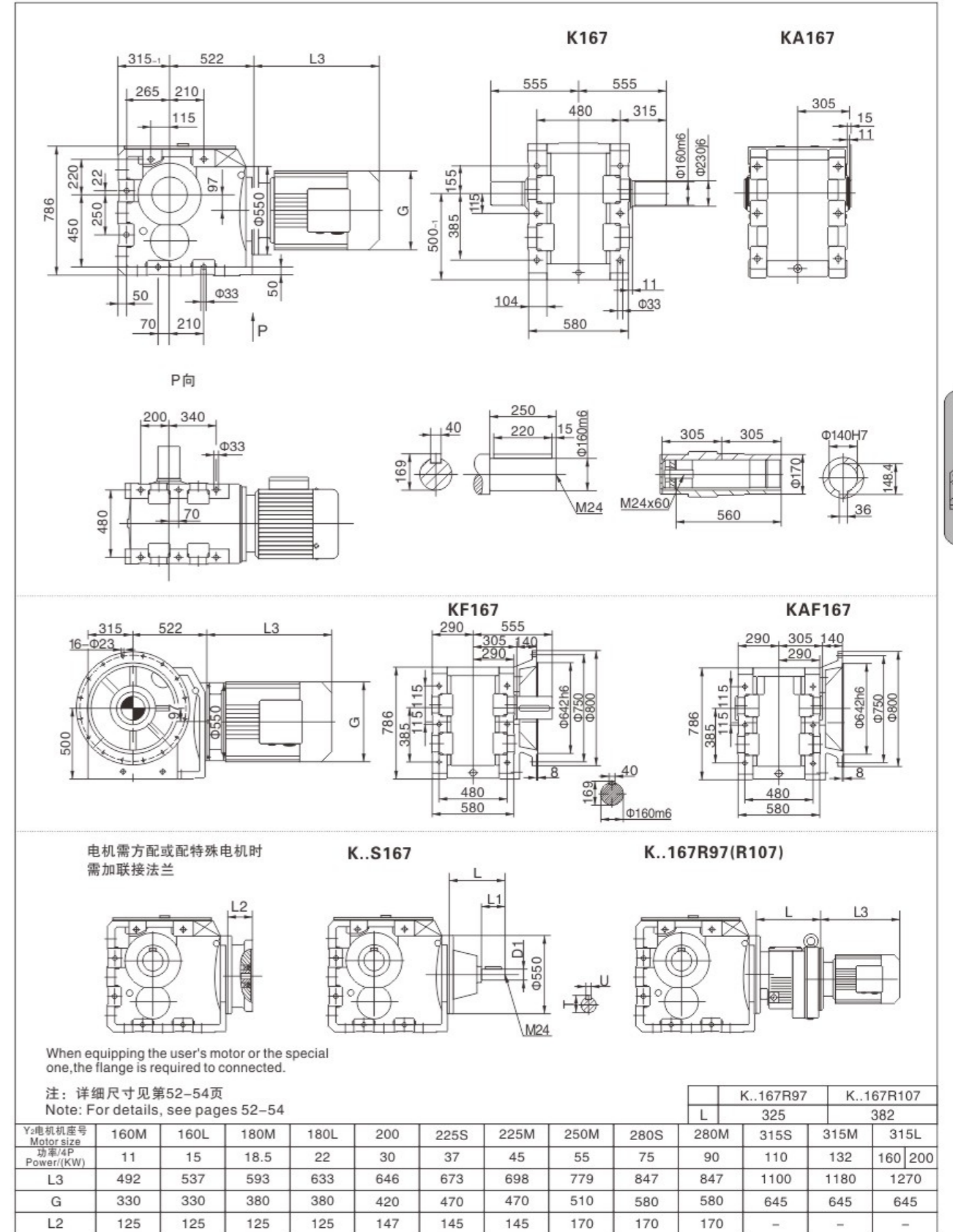


注: 1.KA、KF、KAF、KAZ壳体为通用件, 安装尺寸均可相互参照。 2."K.."表示K、KA、KF、KAF、KAZ、KAB。  
Note: 1.The housings of KA、KF、KAF、KAZ are common parts. The mounting dimensions may consult each other. 2."K.."mean K、KA、KF、KAF、KAZ、KAB.

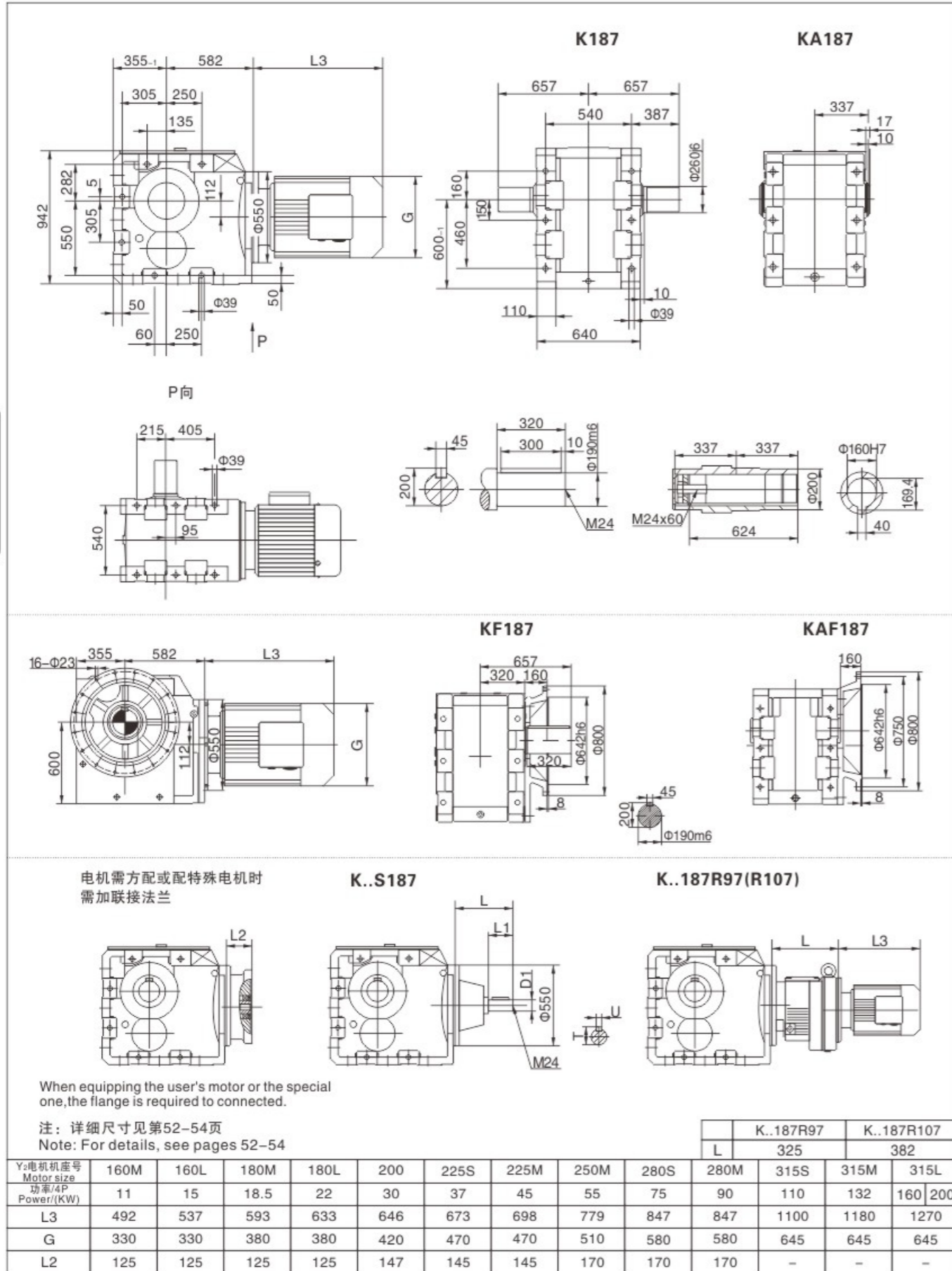
注: 1.KA、KF、KAF、KAZ壳体为通用件, 安装尺寸均可相互参照。 2."K.."表示K、KA、KF、KAF、KAZ、KAB。  
Note: 1.The housings of KA、KF、KAF、KAZ are common parts. The mounting dimensions may consult each other. 2."K.."mean K、KA、KF、KAF、KAZ、KAB.



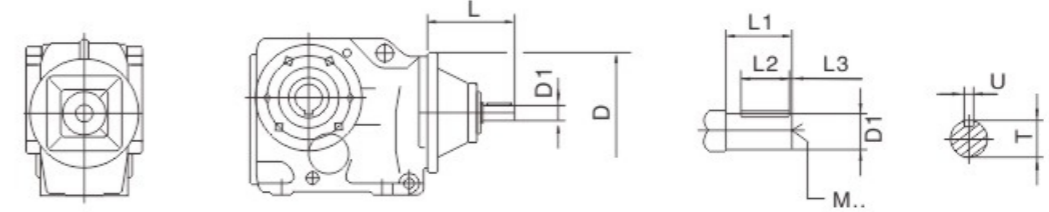
注: 1.KA、KF、KAF、KAZ壳体为通用件, 安装尺寸均可相互参照。 2."K.."表示K、KA、KF、KAF、KAZ、KAB。  
Note: 1.The housings of KA, KF, KAF, KAZ are common parts. The mounting dimensions may consult each other. 2."K.."mean K, KA, KF, KAF, KAZ, KAB.



注: 1.KA、KF、KAF、KAZ壳体为通用件, 安装尺寸均可相互参照。 2."K.."表示K、KA、KF、KAF、KAZ、KAB。  
Note: 1.The housings of KA, KF, KAF, KAZ are common parts. The mounting dimensions may consult each other. 2."K.."mean K, KA, KF, KAF, KAZ, KAB.



HWK..AD..



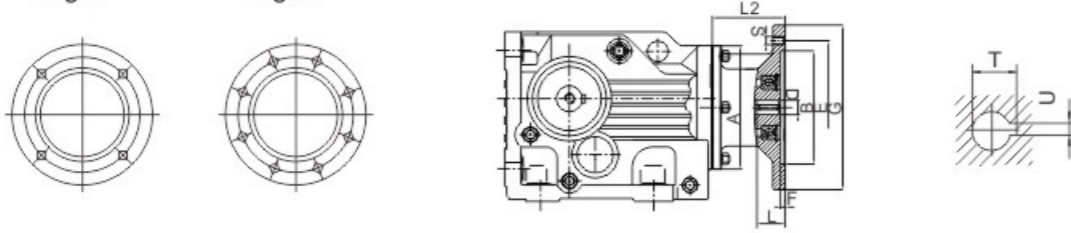
|                                  |     | D   | L   | D1 | L1  | L3 | L2  | T    | U  | M   |
|----------------------------------|-----|-----|-----|----|-----|----|-----|------|----|-----|
| HWK..37                          | AD1 | 120 | 102 | 16 | 40  | 4  | 32  | 18   | 5  | M5  |
|                                  | AD2 |     | 130 | 19 | 40  | 4  | 32  | 21.5 | 6  | M6  |
| HWK..47<br>HWK..57<br>HWK..67    | AD2 | 160 | 123 | 19 | 40  | 4  | 32  | 21.5 | 6  | M6  |
|                                  | AD3 |     | 159 | 24 | 50  | 5  | 40  | 27   | 8  | M8  |
|                                  | AD4 |     | 224 | 38 | 80  | 5  | 70  | 41   | 10 | M12 |
| HWK..77                          | AD2 | 200 | 116 | 19 | 40  | 4  | 32  | 21.5 | 6  | M6  |
|                                  | AD3 |     | 151 | 24 | 50  | 5  | 40  | 27   | 8  | M8  |
|                                  | AD4 |     | 224 | 38 | 80  | 5  | 70  | 41   | 10 | M12 |
| HWK..87                          | AD2 | 250 | 111 | 19 | 40  | 4  | 32  | 21.5 | 6  | M6  |
|                                  | AD3 |     | 156 | 28 | 60  | 5  | 50  | 31   | 8  | M10 |
|                                  | AD4 |     | 219 | 38 | 80  | 5  | 70  | 41   | 10 | M12 |
| HWK..97                          | AD3 | 300 | 151 | 28 | 60  | 5  | 50  | 31   | 8  | M10 |
|                                  | AD4 |     | 214 | 38 | 80  | 5  | 70  | 41   | 10 | M12 |
|                                  | AD5 |     | 287 | 42 | 110 | 10 | 70  | 45   | 12 | M16 |
| HWK..107                         | AD3 | 350 | 145 | 28 | 60  | 5  | 50  | 31   | 8  | M10 |
|                                  | AD4 |     | 208 | 38 | 80  | 5  | 70  | 41   | 10 | M12 |
|                                  | AD5 |     | 281 | 42 | 110 | 10 | 70  | 45   | 12 | M16 |
| HWK..127                         | AD4 | 450 | 193 | 38 | 80  | 5  | 70  | 41   | 10 | M12 |
|                                  | AD5 |     | 266 | 42 | 110 | 10 | 70  | 45   | 12 | M16 |
|                                  | AD6 |     | 306 | 48 | 110 | 10 | 80  | 51.5 | 14 | M16 |
| HWK..187<br>HWK..167<br>HWK..157 | AD7 | 550 | 300 | 55 | 110 | 10 | 90  | 59   | 16 | M20 |
|                                  | AD8 |     | 383 | 70 | 140 | 15 | 110 | 74.5 | 20 | M20 |
|                                  | AD5 |     | 258 | 42 | 110 | 10 | 70  | 45   | 12 | M16 |
| HWK..187<br>HWK..167<br>HWK..157 | AD6 | 550 | 298 | 48 | 110 | 10 | 80  | 51.5 | 14 | M16 |
|                                  | AD7 |     | 292 | 55 | 110 | 10 | 90  | 59   | 16 | M20 |
|                                  | AD8 |     | 374 | 70 | 140 | 15 | 110 | 74.5 | 20 | M20 |

注: 1.KA、KF、KAF、KAZ壳体为通用件, 安装尺寸均可相互参照。 2.\*K..表示K、KA、KF、KAF、KAZ、KAB。  
Note: 1.The housings of KA, KF, KAF, KAZ are common parts. The mounting dimensions may consult each other. 2.\*K..mean K, KA, KF, KAF, KAZ, KAB.

HWK..AM..

Fig.1

Fig.2

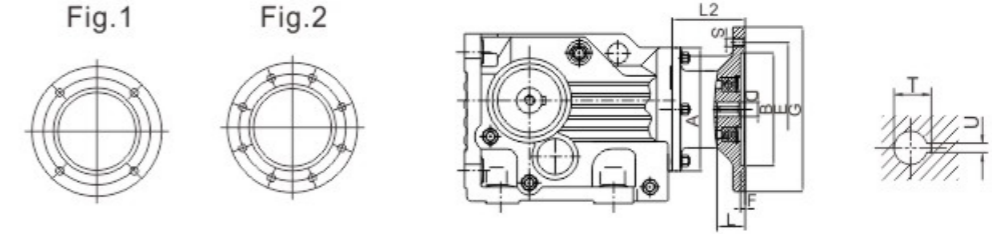


|                               |          | Fig | B    | E   | F   | A    | G   | S   | L2   | D   | L   | T    | U   |
|-------------------------------|----------|-----|------|-----|-----|------|-----|-----|------|-----|-----|------|-----|
| HWK..37                       | Am63     | 1   | 95   | 115 | 3.5 | 120  | 140 | M8  | 45   | 11  | 23  | 12.8 | 4   |
|                               | AM71"    |     | 110  | 130 |     |      | 160 |     | 92   | 14  | 30  | 16.3 | 5   |
|                               | AM80"    |     | 130  | 165 |     |      | 200 | M10 | 80   | 19  | 40  | 21.8 | 6   |
|                               | AM90"    |     |      |     | 24  |      | 50  |     | 27.3 | 8   |     |      |     |
| HWK..47<br>HWK..57<br>HWK..67 | Am63     | 1   | 95   | 115 | 3.5 | 160  | 140 | M8  | 45   | 11  | 23  | 12.8 | 4   |
|                               | Am71     |     | 110  | 130 |     |      | 160 |     | 55   | 14  | 30  | 16.3 | 5   |
|                               | Am80     |     | 130  | 165 |     |      | 200 | M10 | 80   | 19  | 40  | 21.8 | 6   |
|                               | Am90     |     |      |     | 24  |      | 50  |     | 27.3 | 8   |     |      |     |
|                               | AM100"   |     | 180  | 215 | 5   |      | 250 | M12 | 100  | 28  | 60  | 31.3 | 8   |
|                               | AM112"   |     |      |     |     |      |     |     |      |     |     |      |     |
| HWK..77                       | AM63     | 1   | 95   | 115 | 3.5 | 200  | 140 | M8  | 45   | 11  | 23  | 12.8 | 4   |
|                               | Am71     |     | 110  | 130 |     |      | 160 |     | 55   | 14  | 30  | 16.3 | 5   |
|                               | Am80     |     | 130  | 165 |     |      | 200 | M10 | 80   | 19  | 40  | 21.8 | 6   |
|                               | Am90     |     |      |     | 24  |      | 50  |     | 27.3 | 8   |     |      |     |
|                               | AM100"   |     | 180  | 215 | 5   |      | 250 | M12 | 100  | 28  | 60  | 31.3 | 8   |
|                               | AM112"   |     |      |     |     |      |     |     |      |     |     |      |     |
|                               | AM132S"  |     | 230  | 265 | 5   |      | 300 | M12 | 110  | 38  | 80  | 41.3 | 10  |
|                               | AM132M"  |     |      |     |     |      |     |     |      |     |     |      |     |
|                               | AM132ML" |     |      |     |     |      |     |     |      |     |     |      |     |
|                               | HWK..87  |     | Am80 | 1   | 130 |      | 165 | 4.5 | 250  | 200 | M10 | 80   | 19  |
| Am90                          |          | 24  | 50   |     |     | 27.3 |     |     |      | 8   |     |      |     |
| Am100                         |          | 180 | 215  |     | 5   | 250  | M12 | 100 |      | 28  | 60  | 31.3 | 8   |
| Am112                         |          |     |      |     |     |      |     |     |      |     |     |      |     |
| AM132S                        |          | 230 | 265  |     | 5   | 300  | M12 | 110 |      | 38  | 80  | 41.3 | 10  |
| AM132M                        |          |     |      |     |     |      |     |     |      |     |     |      |     |
| AM132ML                       |          |     |      |     |     |      |     |     |      |     |     |      |     |
| AM160"                        |          | 250 | 300  |     | 6   | 350  | M16 | 133 |      | 42  | 110 | 45.3 | 12  |
| AM180"                        |          |     |      |     |     |      |     |     |      | 48  |     | 51.8 | 14  |
| HWK..97                       | Am100    | 1   | 180  | 215 | 5   | 300  | 250 | M12 | 100  | 28  | 60  | 31.3 | 8   |
|                               | Am112    |     |      |     |     |      |     |     |      |     |     |      |     |
|                               | AM132S   |     | 230  | 265 | 5   |      | 300 | M12 | 110  | 38  | 80  | 41.3 | 10  |
|                               | AM132M   |     |      |     |     |      |     |     |      |     |     |      |     |
|                               | AM132ML  |     |      |     |     |      |     |     |      |     |     |      |     |
|                               | Am160    |     | 250  | 300 | 6   |      | 350 | M16 | 133  | 42  | 110 | 45.3 | 12  |
|                               | Am180    |     |      |     |     |      |     |     |      | 48  |     | 51.8 | 14  |
|                               | AM200"   |     | 300  | 350 | 7   |      | 400 | M16 | 135  | 55  | 140 | 59.3 | 16  |
|                               | AM225"   |     |      |     |     |      |     |     |      | 143 |     | 60   | 140 |

HWK..AM..

Fig.1

Fig.2

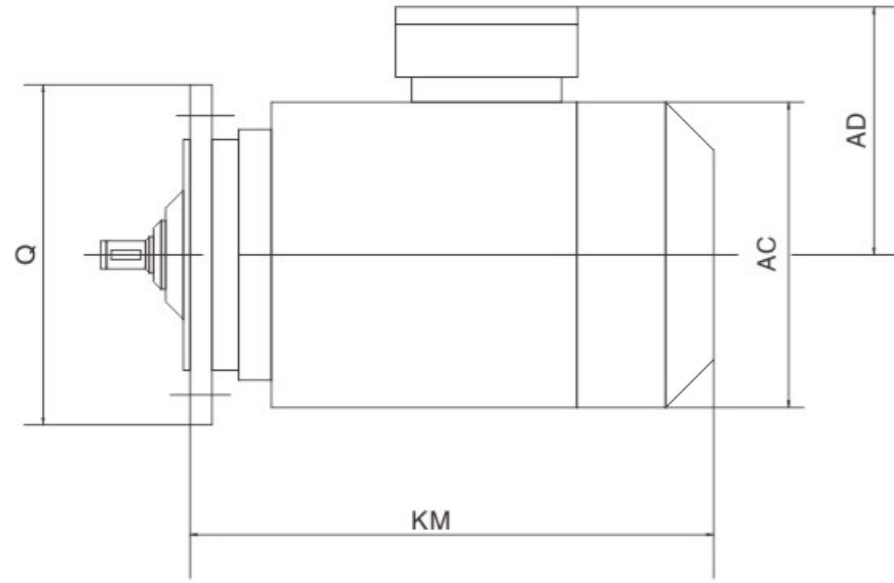


|                                  |          | Fig | B      | E   | F   | A   | G    | S   | L2   | D    | L    | T    | U    |
|----------------------------------|----------|-----|--------|-----|-----|-----|------|-----|------|------|------|------|------|
| HWK..107                         | AM100    | 1   | 180    | 215 | 5   | 350 | 250  | M12 | 100  | 28   | 60   | 31.3 | 8    |
|                                  | AM112    |     |        |     |     |     | 110  |     | 38   | 80   | 41.3 | 10   |      |
|                                  | AM132S   |     | 230    | 265 | 6   |     | 350  | M16 | 133  | 42   | 110  | 45.3 | 12   |
|                                  | AM132M   |     |        |     |     |     |      |     | 48   | 51.8 |      | 14   |      |
|                                  | AM132ML  |     | 300    | 350 | 7   |     | 400  | M16 | 135  | 55   | 140  | 59.3 | 16   |
|                                  | AM160    |     |        |     |     |     |      |     | 143  | 60   |      | 140  | 64.4 |
|                                  | HWK..127 |     | AM132S | 1   | 230 |     | 265  | 5   | 450  | 300  | M12  | 125  | 38   |
| AM132M                           |          | 250 | 300    |     |     | 6   |      |     |      | 350  |      | M16  | 125  |
| AM132ML                          |          |     |        |     | 48  |     | 51.3 | 14  |      |      |      |      |      |
| AM160                            |          | 300 | 350    |     | 7   | 400 | M16  | 147 |      | 55   | 140  | 59.3 | 16   |
| AM180                            |          |     |        |     |     |     |      | 162 |      | 60   |      | 140  | 64.4 |
| AM200                            |          | 350 | 400    |     | 7   | 450 | M16  | 162 |      | 60   | 140  | 64.4 | 18   |
| AM225                            |          |     |        |     |     |     |      | 170 |      | 65   |      | 140  | 49.4 |
| AM250                            |          | 450 | 500    |     | 7   | 550 | M16  | 170 |      | 65   | 140  | 49.4 | 20   |
| AM280                            |          |     |        |     |     |     |      | 75  |      | 79.9 |      | 20   |      |
| HWK..157<br>HWK..167<br>HWK..187 | AM160    | 1   | 250    | 300 | 6   | 550 | 350  | M16 | 125  | 42   | 110  | 45.3 | 12   |
|                                  | AM180    |     |        |     |     |     | 48   |     | 51.8 | 14   |      |      |      |
|                                  | AM200    |     | 300    | 350 | 7   |     | 400  | M16 | 147  | 55   | 140  | 59.3 | 16   |
|                                  | AM225    |     |        |     |     |     |      |     | 145  | 60   |      | 140  | 64.4 |
|                                  | AM250    |     | 450    | 500 | 7   |     | 550  | M16 | 170  | 65   | 140  | 49.4 | 20   |
|                                  | AM280    |     |        |     |     |     |      |     | 75   | 79.9 |      | 20   |      |

1)如果安装在K系列脚底安装方式的减速机上,请检查尺寸G/2,它可能已突出安装平面。  
Dimension G/2 may protrude past foot mounting surface if mounted on K footmounted gear unit.please check.

附件一：电机尺寸表/The size of motor

(仅作参考，以厂家实际尺寸为准)  
(for reference only, based on manufacturer's actual size)



| 电机型号     | Q mm | 标准 KM mm | YEJ KM mm | YVP KM mm | YVPJ KM mm | AD mm | AC mm |
|----------|------|----------|-----------|-----------|------------|-------|-------|
| Y63      | 120  | 221      | 275       | 290       | 330        | 70    | 130   |
|          | 160  | 210      | 264       | 279       | 319        |       |       |
|          | 200  | 200      | 254       | 269       | 309        |       |       |
| Y71      | 120  | 249      | 300       | 299       | 373        | 80    | 140   |
|          | 160  | 244      | 295       | 294       | 373        |       |       |
|          | 200  | 238      | 289       | 288       | 363        |       |       |
| Y80      | 120  | 271      | 330       | 327       | 418        | 145   | 175   |
|          | 160  | 265      | 324       | 321       | 418        |       |       |
|          | 200  | 259      | 318       | 315       | 418        |       |       |
|          | 250  | 254      | 313       | 310       | 385        |       |       |
| Y90S (L) | 120  | 300      | 355       | 350       | 440        | 155   | 195   |
|          |      | 325      | 380       | 375       | 465        |       |       |
|          | 160  | 295      | 350       | 345       | 440        |       |       |
|          |      | 320      | 375       | 370       | 465        |       |       |

| 电机型号   | Q mm | 标准 KM mm | YEJ KM mm | YVP KM mm | YVPJ KM mm | AD mm | AC mm |
|--------|------|----------|-----------|-----------|------------|-------|-------|
| Y132ML | 400  | 385      | 468       | 423       | 506        | 168   | 275   |
|        | 450  | 377      | 460       | 415       | 498        |       |       |
|        | 550  | 369      | 452       | 407       | 490        |       |       |
| Y160M  | 200  | 520      | 633       | 562       | 697        | 255   | 315   |
|        | 250  | 520      | 633       | 562       | 697        |       |       |
|        | 300  | 520      | 633       | 562       | 697        |       |       |
|        | 350  | 502      | 613       | 542       | 677        |       |       |
|        | 400  | 502      | 613       | 542       | 677        |       |       |
|        | 450  | 475      | 585       | 515       | 650        |       |       |
| Y160L  | 250  | 565      | 678       | 607       | 742        | 255   | 315   |
|        | 300  | 565      | 678       | 607       | 742        |       |       |

| 电机型号     | Q mm | 普通 KM mm | YEJ KM mm | YVP KM mm | YVPJ KM mm | AD mm | AC mm |
|----------|------|----------|-----------|-----------|------------|-------|-------|
| Y90S (L) | 200  | 287      | 342       | 337       | 440        | 155   | 195   |
|          |      | 312      | 367       | 362       | 465        |       |       |
|          | 250  | 283      | 338       | 333       | 415        |       |       |
|          |      | 308      | 363       | 358       | 440        |       |       |
|          |      | 300      | 291       | 342       | 346        |       |       |
| Y100     | 120  | 355      | 415       | 400       | 495        | 180   | 215   |
|          | 160  | 347      | 407       | 392       | 490        |       |       |
|          | 200  | 339      | 399       | 389       | 490        |       |       |
|          | 250  | 335      | 395       | 380       | 490        |       |       |
|          | 300  | 329      | 389       | 375       | 452        |       |       |
|          | 350  | 323      | 383       | 370       | 455        |       |       |
| Y112     | 160  | 380      | 440       | 420       | 520        | 190   | 240   |
|          | 200  | 371      | 431       | 411       | 520        |       |       |
|          | 250  | 366      | 426       | 406       | 520        |       |       |
|          | 300  | 361      | 421       | 401       | 470        |       |       |
|          | 350  | 355      | 415       | 395       | 470        |       |       |
| Y132S    | 160  | 420      | 490       | 460       | 580        | 210   | 275   |
|          | 200  | 408      | 478       | 448       | 580        |       |       |
|          | 250  | 403      | 473       | 443       | 580        |       |       |
|          | 300  | 398      | 468       | 438       | 580        |       |       |
|          | 350  | 392      | 462       | 432       | 545        |       |       |
|          | 400  | 385      | 455       | 425       | 543        |       |       |
| Y132M    | 160  | 458      | 528       | 498       | 618        | 210   | 275   |
|          | 200  | 446      | 516       | 486       | 618        |       |       |
|          | 250  | 441      | 511       | 481       | 618        |       |       |
|          | 300  | 436      | 506       | 476       | 618        |       |       |
|          | 350  | 430      | 500       | 470       | 583        |       |       |
|          | 400  | 423      | 493       | 463       | 581        |       |       |
|          | 450  | 407      | 477       | 447       | 581        |       |       |
| Y132ML   | 200  | 408      | 491       | 446       | 529        | 168   | 275   |
|          | 250  | 403      | 486       | 441       | 524        |       |       |
|          | 300  | 398      | 481       | 436       | 519        |       |       |
|          | 350  | 392      | 475       | 430       | 513        |       |       |

| 电机型号      | Q mm | 普通 KM mm | YEJ KM mm | YVP KM mm | YVPJ KM mm | AD mm | AC mm |
|-----------|------|----------|-----------|-----------|------------|-------|-------|
| Y160L     | 350  | 547      | 658       | 587       | 722        | 255   | 315   |
|           | 400  | 547      | 658       | 587       | 722        |       |       |
|           | 450  | 520      | 630       | 560       | 695        |       |       |
|           | 550  | 518      | 635       | 560       | 695        |       |       |
| Y180M (L) | 250  | 600      | 685       | 622       | 782        | 280   | 380   |
|           |      | 638      | 723       | 660       | 800        |       |       |
|           | 300  | 581      | 666       | 603       | 762        |       |       |
|           |      | 619      | 703       | 641       | 781        |       |       |
|           | 350  | 581      | 666       | 603       | 762        |       |       |
|           |      | 619      | 703       | 641       | 781        |       |       |
|           | 400  | 581      | 666       | 603       | 762        |       |       |
|           |      | 619      | 703       | 641       | 781        |       |       |
|           | 450  | 553      | 638       | 575       | 725        |       |       |
|           |      | 591      | 676       | 613       | 753        |       |       |
| 619       |      | 703      | 641       | 781       |            |       |       |
| Y200      | 300  | 665      | 795       | 730       | 859        | 305   | 420   |
|           | 350  | 665      | 795       | 730       | 859        |       |       |
|           | 400  | 654      | 782       | 717       | 852        |       |       |
|           | 450  | 654      | 782       | 717       | 852        |       |       |
| Y225S     | 300  | 716      | 858       | 770       | 900        | 335   | 470   |
|           | 350  | 680      | 847       | 756       | 886        |       |       |
|           | 400  | 680      | 847       | 756       | 886        |       |       |
|           | 450  | 674      | 840       | 750       | 880        |       |       |
|           | 550  | 669      | 830       | 745       | 875        |       |       |
| Y225M     | 300  | 741      | 883       | 795       | 925        | 335   | 470   |
|           | 350  | 702      | 872       | 781       | 911        |       |       |
|           | 400  | 702      | 872       | 781       | 911        |       |       |
|           | 450  | 696      | 865       | 775       | 905        |       |       |
|           | 550  | 691      | 860       | 770       | 900        |       |       |
| Y250M     | 400  | 785      | 932       | 839       | 992        | 370   | 510   |
|           | 450  | 790      | 936       | 831       | 984        |       |       |
|           | 550  | 785      | 931       | 823       | 976        |       |       |
| Y280      | 400  | 898      | 1054      | 943       | 1099       | 408   | 580   |
|           | 450  | 890      | 1046      | 835       | 1091       |       |       |
|           | 550  | 882      | 1038      | 927       | 1083       |       |       |
| Y315      | 660  | 1130     | 1286      | 1175      | 1331       | 530   | 635   |

注意：  
YEJ表示电机增加制动器后的KM值。  
YVP表示电机为变频调速三相异步电动机时的KM值。  
YVPJ表示电机为变频调速三相电动机并附带制动器式的KM值。  
因空间限制对电机尺寸有要求时请向我公司咨询。

Notes:  
YEJ is the KM value for motor with brake.  
YVP is the KM value for asynchronous motor with frequency.  
YVPJ is the KM value for asynchronous motor with frequency and brake.  
if you have any special requirements, please contact us.

## 附件二：润滑油/LUBRICATION

### 2.1 概述

如果订货时没有商定特殊要求，公司将为您提供适用于减速器及其安装方式的润滑油进行润滑的传动机构。因为这个原因，所以请您在订货时指定与安装方式相关的参数（M1~M6，→“安装方式及重要的订货提供参数”章节）。在后期调整安装方式时，您必须根据改变后的安装方式相应调整加注润滑油（→润滑油注入量）。

### 2.2 滚动轴承润滑脂

减速器和电动机的滚动轴承在出厂时就加注了润滑脂。对于配有润滑油加注装置的滚动轴承，建议在更换机油时也更换润滑脂。下列润滑脂更换时参考：

|         | 环境温度         | 制造厂家     | 型号                   | 润滑油类型 |
|---------|--------------|----------|----------------------|-------|
| 减速器滚动轴承 | -20°C~+60°C  | Mobil    | Mobilux EP 2         | 矿物油   |
|         | -40°C~+80°C  | Mobil    | Mobiltemp SHC 100    | 合成油   |
| 电机滚动轴承  | -20°C~+80°C  | Esso     | Unirex EQ 3          | 矿物油   |
|         | -20°C~+60°C  | Shell    | Alvania RI3          | 矿物油   |
|         | +80°C~+100°C | Kl ü ber | Barrierta L55/2      | 合成油   |
|         | -45°C~+25°C  | Shell    | Aero Shell Grease 16 | 合成油   |

需要下列润滑脂加注量

- 如果是高速运转的轴承(电动机和减速器输入端)：轴承腔中加入三分之一的润滑脂。
- 如果是低速运转的轴承(电动机和减速器输出端)：轴承腔中加入三分之二的润滑脂。

### 2.1 General information

Unless a special arrangement is made, JIACHENG supplies the drives with a lubricant fill adapted for the specific gear unit and mounting position. The decisive factor is the mounting position (M1..M6, → Sec. "Mounting Positions and important Order Information") specified when ordering the drive. You must adapt the lubricant fill in case of any subsequent changes made to the mounting position(→ Lubricant fill quantities).

### 2.2 Anti-friction bearing greases




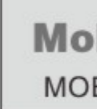

The lubricant table on the following page shows the permitted lubricants for JIACHENG gear units. Please note the following key to the lubricant table:

The following grease quantities are required:

For fast-running bearings (motor and gear unit input end): Fill the cavities between the folling elements one third full with grease.

For fast-running bearings (in gear units and at gear unit output end): Fill the cavities between the folling elements one third full with grease.

## 2.3 润滑油型号表/Types of lubrication

|                         |  |  |  |  |  | 润滑油类型 |
|-------------------------|---|---|---|---|---|-------|
|                         | °C -50 0 +50 +100   | ISO   | SHELL   | MOBIL   | BP  |       |
| HWR..<br>HWF..<br>HWK.. | 标准<br>Standard<br>-10 +40   | VG 220  | Shell Omala 220   | Mobilgear 630   | BP Energol GR-XP 220  | 矿物油   |
|                         | -20 +25   | VG 150<br>VG 100  | Shell Omala 100   | Mobilgear 627   | BP Energol GR-XP 100  |       |
|                         | -30 +10   | VG 68-46<br>VG 32   | Shell Tellus T 32   | Mobil D.T.E. 13M  |   |       |
|                         | -40 -20   | VG 22<br>VG 15  | Shell Tellus T 15   | Mobil D.T.E. 11M  | BP Energol HLP-HM 15  | 合成油   |
|                         | -40 +80   | VG 220  | Shell Omala 220   | Mobil SHC 630   |   |       |
|                         | -40 +40   | VG 150  |   | Mobil SHC 629   |   |       |
|                         | -40 +10   | VG 32   |   | Mobil SHC 624   |   |       |
| HWS..                   | -0 +40  | VG 680  | Shell Omala 680   | Mobilgear 636   | BP Energol GR-XP 680  | 矿物油   |
|                         | -20 +10   | VG 150<br>VG 100  | Shell Omala 100   | Mobilgear 627   | BP Energol GR-XP 100  |       |
|                         | -20 +60   | VG 680 <sup>1)</sup>  | Shell Tivela S 680  |   | BP Energol GR-XP 680  | 合成油   |
|                         | -30 +80   | VG 460  | Shell Omala 460   | Mobil SHC 634   |   |       |
|                         | -40 +10   | VG 150  | Shell Omala 150   | Mobil SHC 629   |   |       |
|                         | -25 +40   | VG 220 <sup>1)</sup>  | Shell Tivela 220  | Mobil Glygoyle 30   |   |       |
|                         | -40 0   | VG 32   |   | Mobil Glygoyle 24   |   |       |

### 2.4 润滑油加注量

规定的加注量为参考值，精确值的变化与级数和传动比有关。请您在加注润滑油时一定要注意油位螺栓所指示的精确油量。后期调整安装方式时，您必须根据改变后的安装方式相应调整加注润滑剂。润滑油量表中列出了安装方式M1~M6的减速器相应的标准参考润滑油注入量值。

### 2.4 Lubricant fill quantity

The specified fill quantities are recommended values. The precise values vary depending on the number of stages and gear ratio. When filling, it is essential to check the oil level plug since it indicates the precise oil capacity. The lubricating oil gauge lists the corresponding standard reference lubricating oil injection values for the reducer of the installation mode M1 ~ M6.

### 附件三：维护/MAINTENANCE

1). 对于齿轮箱，首次换油必须在工作大约300小时(齿轮磨合期)后进行，在换油时应使用合适的清洗剂小心地冲洗齿轮箱，不得将矿物油和合成油混合。

2). 每工作3000小时，最低程度半年，应检测油以及油位，油封密封不严引起滴漏的常规检测，若是IEC输入的减速器，则检测检查弹性体，必要时进行更换。

3). 根据不同的工作条件(见下图)而定，最长每三年检测一次，更换矿物油，更换轴承润滑油脂。

4). 根据不同的工作条件而定，更换输出轴上的油封。

5). 产品出现故障时，不要拆卸部件，与本公司售后服务部门联系(需提供减速器规格、出厂日期、编号、已使用时间、主机名称、主机生产单位和故障类型)后，再采取合理的措施。

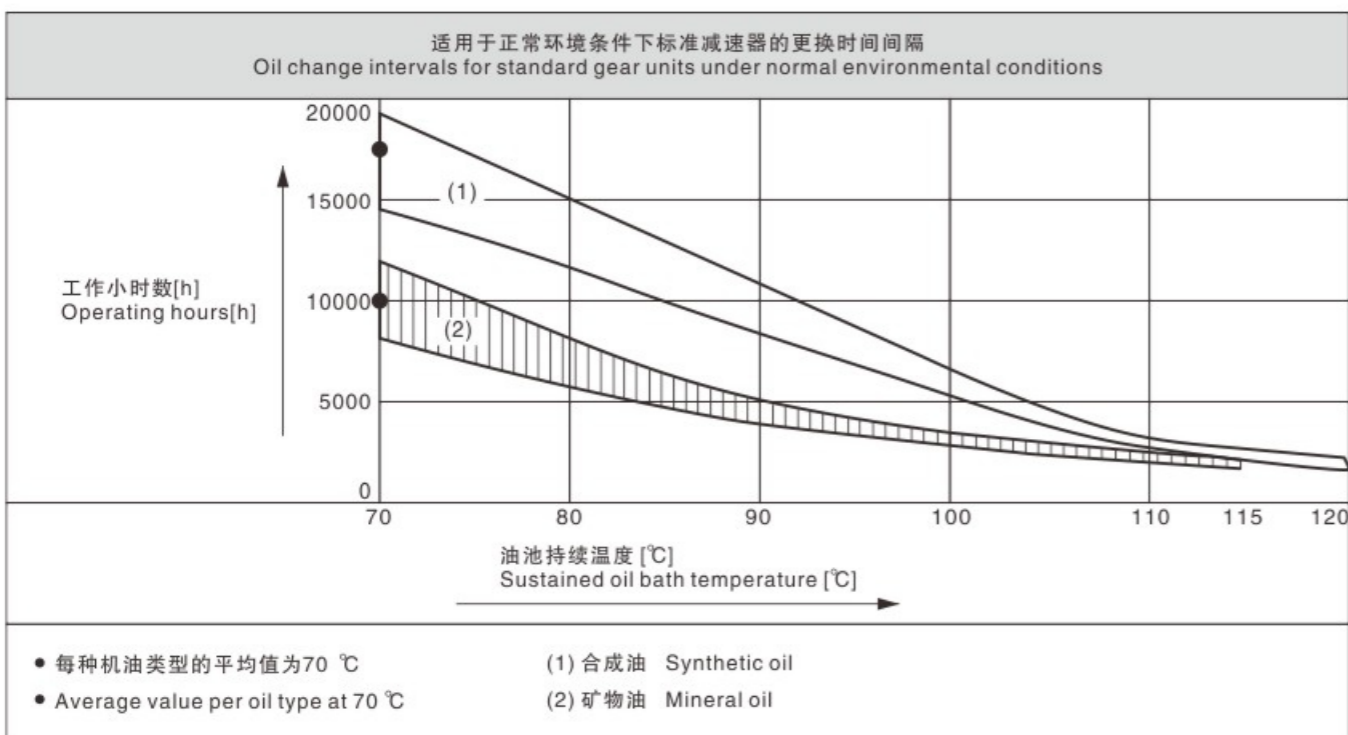
1). For gear units, first oil change should be after about 300 hours(run-in period). The right lotion is require to clean the gear units with care.Never mix the synthetic oil and mineral oil together.

2). Every 3,000 working time, at least every 6 months, you have to check the oil and oil level,the seals visually for leakage. For IEC input gear units, the elastomer should be tested or replaced if necessary.

3). Depending on the working conditions(see chart below), every 3 years at the latest for inspection is needed. Then change the mineral oil and replacing bearing grease.

4). Depending on the working conditions, change the oil seals on output shaft.

5). Once the malfunctions appear, stop disassembling the parts, and firstly please contact the customer service(the information about specification, deliver date, series number, time used, name of machine, machine manufacturer, malfunction problems is required), then take reasonable measures.



### 附件四：存放/STORAGE

1). 有顶棚，防雨雪，无振动。

2). 在设备和地面之间垫放木块或其他材料。

3). 开箱后暂不使用的齿轮减速器在其加工表面涂上防锈油，并应及时放回包装箱内。

4). 在定期检查的情况下，两年以及更长时间。在进行检查时，应检查清洁度和机械损伤，检查防锈层是否完好。

1). Under roof, protected against rain and snow, no shock loads.

2). Underlay the block and other material between the ground and equipment.

3). The opened but not used gear units should be added with the anti-corrosive oil on its surface, and then return to the packing containers timely.

4). Two years or more given regular inspections. Check fo cleanliness and mechanical damage as part of the inspection, Check corrosion protection.

### 附件五：定货须知/NOTICE FOR ORDER

减速器定单请向我们提供以下信息：

1). 减速器型号标记(减速器类型、速比、功率和安装方式)。

2). 订货时注意：选用RF和RXF型时要注明输出法兰的外径大小；选SA、SAF、SAZ型时要注明输出轴孔径大小

3). 选K、KF、KAF、KAZ及S、SF、SAF、SAZ型时要注明输出轴及输出法兰的方向（A向或B向）。

4). 订货时还须注明减速机工作时的实际安装方式（M1~M6），共有6种安装方式。

5). 如配直联电机，则注明电机接线盒的方向，共有0度、90度、180度、270度四种方向。

6). 减速器表面喷涂颜色，有蓝色和灰色两种供选择，一般按蓝色提供。

7). 订购数量。

8). 其他特殊要求。

9). 单位名称、联系人、联系电话。

Please offer the following information when place the orders:

1). the model mark of the gear units (type, ratio, power and mounting position).

2). Note when ordering: When selecting RF and RXF models, indicate the external diameter of the output flange; When selecting SA, SAF, and SAZ models, indicate the output axis aperture size

3). When selecting K, KF, KAF, KAZ, and S, SF, SAF, and SAZ, indicate the direction of the output axis and the output flange(A or B).

4). When ordering, it must also indicate the actual installation method(M1 ~ M6) when the reducer is working. There are 6 kinds of installation methods.

5). If you are equipped with a straight-line motor, you must indicate the direction of the motor junction box. There are four directions: 0 degrees, 90 degrees, 180 degrees, and 270 degrees.

6). gear units are available with "blue/gray" painting optionally. Unless specified, it offers the blue painting as standard.

7). quantity ordered.

8). other special requirements.

9). company, contact and telephone.

## 附件六：故障诊断/FAULT DIAGNOSIS

### 6.1 减速器故障/Gear unit malfunctions

| 故障  | 可能的原因   | 解决办法  |
|---|---|---|
| 异常、均匀的运转噪声。   | A. 滚动/碾压噪声：轴承损坏。<br>B. 冲击型噪声：齿轮啮合不均匀。                   | A. 检查润滑油，更换轴承。<br>B. 请咨询客户服务部。  |
| 异常、不均匀的运转噪声。  | 机油中有异物。   | · 检测润滑。<br>· 停止运转传动装置，向客户服务部咨询。   |
| 机油泄漏 <sup>1)</sup><br>· 在减速器盖上。<br>· 在电机凸缘上。<br>· 在电机轴密封圈上。<br>· 在减速器凸缘上。<br>· 在输出端轴密封圈上。 | A. 减速器底座上的橡胶密封发生渗漏。<br>B. 密封圈损坏。<br>C. 减速器没有排气。         | A. 拧紧各个外盖上的螺钉并且观察减速器。<br>如果机油继续泄露，请咨询客户服务部。<br>B. 请咨询客户服务部。<br>C. 给减速器排气(参见“安装方式”)。 |
| 机油从排气阀旁渗出。  | A. 机油太多。<br>B. 传动装置安装方式错误。<br>C. 频繁冷起动(机油起泡沫)和/或者较高的油位。 | A. 修正油量(参见“润滑油”)。<br>B. 正确安装排气阀并且矫正油位(参见“安装方式”)。                                    |
| 尽管电机在运转或者传动轴已经被驱动，但是传动轴不转动。   | 减速器中的轴轮毂联接断裂。   | 将减速器或减速电机送修。  |

<sup>1)</sup>在磨合试运转阶段(24小时的运转时间内)，轴密封圈有可能出现短期内的漏油/漏脂的现象。

| Problem   | Possible cause   | Remedy   |
|---|--|--|
| Unusual, regular running noise  | A. Meshing/grinding noise: Bearing damage.<br>B. Knocking noise: Irregularity in the gearing                                   | A. Check the oil, change bearings<br>B. Contact customer service   |
| Unusual, regular running noise  | Foreign bodies in the oil  | · Check the oil<br>· Stop the drive, contact customer service  |
| Oil leaking <sup>1)</sup><br>· From the gear cover plate<br>· From the motor flange<br>· From the motor oil seal<br>· From the gear unit flange<br>· From the output end oil seal | A. Rubber seal on the gear cover plate leaking<br>B. Seal defective<br>C. Gear unit not vented                                 | A. Tighten the bolts on the gear cover plate and observe the gear unit. Oil still leaking: Contact customer service<br>B. Contact customer service<br>C. Vent the gear unit (see "Mounting Positions") |
| Oil leaking from breaking valve   | A. Too much oil<br>B. Drive operated in incorrect mounting position<br>C. Frequent cold starts(oil foams) and/or high oillevel | A. Correct the oil level (see Sec. "Inspection and Maintenance")<br>B. Mount the breather valve correctly (see Sec. "Mounting Positions")and correct the oil level (see "Lubricants")                  |
| Output shaft does not turn although the motor is running of the input shaft is rotated  | Connection between shaft and hub in gear unit interrupted  | Send in the gear unit/gearmotor for repair   |

<sup>1)</sup>Short-term oil/grease leakage at the oil seal is possible in the run-in phase(24 hours running time).

### 6.2 IEC 连接器运转故障/IEC couplings malfunctions

| 故障                          | 可能的原因  | 解决办法                 |
|-----------------------------|--|----------------------|
| 异常、均匀的运转噪声。                 | 滚动/碾压噪声：轴承损坏。  | 与我公司客户服务部联系。         |
| 机油泄漏。                       | 密封圈损坏。   | 与我公司客户服务部联系。         |
| 尽管电机在运转或者传动轴已经被驱动，但是传动轴不转动。 | 减速器中的轴轮毂联接断裂。  | 将减速器发送到我公司进行维修。      |
| 运转时的噪声发生变化以及/或者出现不正常的震动。    | A. 齿圈磨损，因为通过金属直接接触进行短期转动扭矩的传输造成。<br>B. 轴向轮毂连接螺栓松动。   | A. 更换齿圈。<br>B. 拧紧螺栓。 |
| 过早的齿圈磨损。                    | A. 接触腐蚀性流体或油；臭氧的侵蚀影响，工作环境温度过高等等，都导致齿圈发生规格的改变。<br>B. 对于齿圈，不允许过高的环境温度以及接触区域温度过高；最大的温度允许范围为-20℃到+80℃。<br>C. 负载过载。 | 与我公司客户服务部联系。         |

| Problem  | Possible cause  | Remedy   |
|--|---|--|
| Unusual, regular running noise   | Meshing/grinding noise: Bearing damage  | Contact our company customer service               |
| Oil leaking  | Seal defective  | Contact our company customer service               |
| Output shaft does not turn although the motor is running of the input shaft is rotated | Connection between shaft and hub in gear unit interrupted   | Contact our company customer service               |
| Change in running noise and/or vibrations occur  | A. Annular gear wear, short-term torque transfer through metal contact<br>B. Bolts to secure hub axially are loose.   | A. Change the annular gear<br>B. Tighten the bolts |
| Premature wear in annular gear   | A. Contact with aggressive fluids / oil; ozone influence; too high ambient temperatures etc, which can cause a change in the physical properties of the annular gear.<br>B. Impermissibly high ambient/contact temperature for the annular gear; maximum permitted temperature -20°C to +80°C.<br>C. Overload | Contact our company customer service               |



附件七：减速器负载特征表(参考件)/Charge Characteristic Chart (for reference)

| 风机类 AIR BLOWERS                         |   | 卷扬机齿轮传动装置 Hoist gear assembly                   |   |
|---|---|---|---|
| 风机(轴向和径向) Air blower(axial or radial)   | A | 吊杆起落齿轮传动装置 Derrick gear assembly                | B |
| 冷却塔风扇 Fan of cooling tower              | B | 转向齿轮传动装置 Steering gear assembly                 | B |
| 引风机 Induced draught fan                 | B | 行走齿轮传动装置 Moving gear assembly                   | C |
| 螺旋活塞式风机 Rotary piston type fan          | B | <b>挖泥机类 LAND DREDGER</b>                        |   |
| 蜗轮式风机 Turbo-fan                         | A | 筒式输送机 Drum-type conveyer                        | C |
| <b>建筑机械类 CONSTRUCTION MACHINERY</b>     |   | 筒式转动轮 Drum-type rotation wheel                  | C |
| 混凝土搅拌机 Concrete mixer                   | B | 挖泥头 Dredger head                                | C |
| 卷扬机 Hoist                               | B | 机动绞车 Powered crab                               | B |
| 路面建筑机械 Road building machinery          | B | 泵 Pump  | B |
| 钻孔机 Boring mill                         | B | 泵转向齿轮传动装置 Pump turning gear assembly            | B |
| <b>化工机械类 CHEMICAL MACHINERY</b>         |   | 行走齿轮传动装置(履带) Moving gear assembly (apron wheel) | C |
| 搅拌机(液体) Mixer (liquid)                  | A | 行走齿轮传动装置(铁轨) Moving gear assembly (track)       | B |
| 搅拌机(半液体) Mixer (half liquid)            | B | <b>食品工业机械类 FOODSTUFF PROCESSING MACHINERY</b>   |   |
| 离心机(重型) Centrifuge(heavy)               | B | 灌注及装箱机器 Placer or box filler                    | A |
| 离心机(轻型) Centrifuge(light)               | A | 甘蔗压榨机 Cane crusher                              | A |
| 冷却滚筒** Cooling rolling drum             | B | 甘蔗切断机 Cane cutter                               | B |
| 干燥滚筒** Dry rolling drum                 | B | 甘蔗粉碎机 Cane crasher                              | C |
| 搅拌机 Mixer                               | B | 搅拌机 Mixer                                       | B |
| <b>压缩机类 COMPRESSOR</b>                  |   | 酱状物吊筒 Paste bucket                              | B |
| 活塞式压缩机 Piston type compressor           | C | 包装机 Packager                                    | A |
| 涡轮式压缩机 Turbo-compressor                 | B | 糖甜菜切断机 Beet slicer                              | B |
| <b>传送运输机类 TRANSMISSION FREIGHTER</b>    |   | 糖和甜菜清洗机 Beet washing machine                    | B |
| 平板输送机 Pan conveyer                      | B | <b>发动机及转换器类 MOTOR AND CONVERSION EQUIPMENTS</b> |   |
| 平衡块升降机 Balance lifter                   | B | 频率转换器 Frequency converter                       | C |
| 槽式输送机 Trough conveyer                   | B | 发动机 Motor                                       | C |
| 带式输送机(大件) Ribbon conveyer (large piece) | C | 焊接发动机 Welding motor                             | C |
| 带式输送机(碎料) Ribbon conveyer (small piece) | B | <b>洗衣机类 WASHING MACHINE</b>                     |   |
| 筒式面粉输送机 Drum-type flour conveyer        | A | 滚筒 Rolling drum                                 | B |
| 链式输送机 Chain conveyer                    | B | 洗衣机 Washing machine                             | B |
| 环式输送机 Ring type conveyer                | B | <b>金属滚轧机类 METAL ROLLER MACHINE</b>              |   |
| 货物升降机 Lifter                            | B | 钢坯剪断机** Steel cutter                            | C |
| 卷扬机 Hoist                               | B | 链式输送机** Chain conveyer                          | B |
| 连杆式输送机 Crank-connecting conveyer        | B | 冷轧机** Cold mill                                 | C |
| 载入升降机 Lifter                            | B | 连铸成套设备 Continuous casting equipments            | B |
| 螺旋式输送机 Worm conveyer                    | B | 冷床** Cold bed                                   | B |
| 钢带式输送机 Steel-band conveyer              | B | 剪料机头** Cropper                                  | C |
| 链式槽型输送机 Chain reed-type conveyer        | B | 交叉转变输送机** Cross steering transmitter            | B |
| 绞车运输机 Crab freighter                    | B | 除锈机** Deruster                                  | C |
| <b>起重机械类 HOIST</b>                      |   | 重型和中型板轧机** Heavy and medium steel mill          | C |
| 转臂式起重传动齿轮装置 Bracket swing gear assembly | B | 棒坯切轧机** Bar mill                                | C |

| 棒坯转动机械类 BAR TRANSMISSION EQUIPMENTS                      |   | 泵类 PUMPS  |   |
|--|---|---|---|
| 棒坯推料机 Bar pusher   | B | 离心泵(稀液体) Centrifugal pump(thin liquid)                            | A |
| 推床 Push bed  | B | 离心泵(半液体) Centrifugal pump(half liquid)                            | B |
| 剪板机** Shears   | C | 活塞泵 Displacement pump   | C |
| 板材摆升降台** Lumber elevator platform                        | B | 柱塞泵 Plunger pump  | C |
| <b>轧辊调整装置 ROLL ADJUSTING EQUIPMENTS</b>                  |   | 压力泵 Force pump  | C |
| 辊式矫直机 Roller leveling machine                            | B | <b>塑料机械类 PLASTIC EQUIPMENTS</b>                                   |   |
| 轧钢机辊道(重型) Mill rolling way (heavy)                       | C | 压光机** Glazing press   | B |
| 轧钢机辊道(轻型) Mill rolling way (light)                       | B | 挤压机** Ejecting press  | B |
| 薄板轧机** Sheet rolling mill                                | C | 螺旋压出机** Spiral extruding machine                                  | B |
| 修整剪切机** Trimming shears                                  | B | 混合机** Mixing machine  | B |
| 焊管机 Pipe welder  | C | <b>橡胶机械类 RUBBER EQUIPMENTS</b>                                    |   |
| 焊管机(带材和线材) Soldering machine(belt material and wire rod) | B | 压光机** Glazing press   | B |
| 线材拉拔机 Wire drawbench                                     | B | 挤压机** Ejecting press  | C |
| <b>金属加工机床类 METAL PROCESSING MACHINE TOOLS</b>            |   | 混合搅拌机** Mixing stir machine                                       | B |
| 动力轴 Power shaft  | A | 捏合机 Kneading machine  | B |
| 锻造机** Forging machine                                    | C | 滚压机** Roller machine  | C |
| 锻锤 Drop hammer   | C | <b>石料、瓷土料加工机械类<br/>STONE PORCELAIN CLAY PROCESSING EQUIPMENTS</b> |   |
| 机床及辅助装置 Machine tool and necessary                       | A | 球磨机 Ball crusher  | B |
| 机床及主要传动装置 Machine tool and main driving equipment        | B | 挤压力碎机 Ejecting press and breaker                                  | C |
| 金属刨床 Metal facing machine                                | C | 破碎机 Breaker   | C |
| 板材矫直机床 Plate-leveling machine tool                       | C | 压砖机 Brick press   | C |
| 冲床 Backing-out punch                                     | C | 锤料碎机 Beating crusher  | C |
| 冲压机床 Press machine tool                                  | C | 转炉** Converter  | C |
| 剪床 Cutting machine                                       | B | 筒型磨机** Cylinder mill  | C |
| 薄板弯曲机床 Sheet bending machine tool                        | B | <b>纺织机械类 TEXTILE MACHINERY</b>                                    |   |
| <b>石油工业机械类 PETROLEUM PROCESSING MACHINERY</b>            |   | 送料机 Feeding machine   | B |
| 输油管油泵** Pump of oil pipe line                            | B | 织布机 Loom machine  | B |
| 转子钻井设备 Rotary drilling equipment                         | C | 印染机 Dyeing machine  | B |
| <b>制纸机械类 PAPERING MACHINE</b>                            |   | 精制筒 Purified drum   | B |
| 压光机** Glazing press                                      | C | 威罗机 Welon machine   | B |
| 多层纸板机** Multilayer paper board machine                   | C | <b>水处理设备类 WASTER TREATMENT EQUIPMENTS</b>                         |   |
| 干燥滚筒** Drying cylinder                                   | C | 鼓风机** Air blast   | B |
| 上光滚筒** Glazing cylinder                                  | C | 螺杆泵 Screw pump  | B |
| 搅浆机** Masher   | C | <b>木料加工机床 WOOD PROCESSING MACHINE TOOL</b>                        |   |
| 搅浆擦碎机** Mashing and breaking machine                     | C | 剥皮机 Barker  | C |
| 吸水滚** Suction roll                                       | C | 刨床 Facing machine   | B |
| 潮纸滚压机** Wet paper roller machine                         | C | 锯床 Saw bench  | C |
| 吸水滚压机木** Water absorbing roller machine                  | C | 木材加工机床 Wood processing machine tool                               | A |
| 威罗机 Welon machine  | C |   |   |

注：A-均匀冲击负责；B-中等冲击负载；C-重冲击负载；\*\*-用于24小时工作制。  
Note: A-Uniform load; B-Moderate shock load; C-Heavy shock load; \*\*-for 24 hour system.

附件八：减速电机重量 Gear motor weights  
减速机重量 Gear Reducer weights

| Gear reducer weights | Kg  | Gear reducer weights | Kg | Gear reducer weights | Kg  | Gear reducer weights | Kg  | Gear reducer weights | Kg |
|----------------------|-----|----------------------|----|----------------------|-----|----------------------|-----|----------------------|----|
| RX57                 | 9   | R..27                | 4  | R..87                | 55  | F27                  | 6.5 | F57                  | 25 |
| RXF57                | 11  | R..27F               | 4  | R..87F               | 63  | FA27                 | 6   | FA57                 | 24 |
| RX67                 | 12  | R..37                | 10 | R..97                | 100 | FF27                 | 8   | FF57                 | 31 |
| RXF67                | 16  | R..37F               | 12 | R..97F               | 118 | FAF27                | 7   | FAF57                | 30 |
| RX77                 | 20  | R..47                | 14 | R..107               | 130 | F37                  | 13  | F67                  | 31 |
| RXF77                | 24  | R..47F               | 14 | R..137               | 235 | FA37                 | 12  | FA67                 | 27 |
| RX87                 | 35  | R..57                | 20 | R..147               | 360 | FF37                 | 15  | FF67                 | 37 |
| RXF87                | 40  | R..57F               | 24 | R..167               | 605 | FAF37                | 14  | FAF67                | 35 |
| RX97                 | 59  | R..67                | 25 |                      |     | F47                  | 18  | F77                  | 55 |
| RXF97                | 66  | R..67F               | 29 |                      |     | FA47                 | 17  | FA77                 | 50 |
| RX107                | 88  | R..77                | 30 |                      |     | FF47                 | 21  | FF77                 | 66 |
| RXF107               | 103 | R..77F               | 36 |                      |     | FAF47                | 20  | FAF77                | 58 |

| Gear reducer weights | Kg  | Gear reducer weights | Kg  | Gear reducer weights | Kg   | Gear reducer weights | Kg  | Gear reducer weights | Kg  |
|----------------------|-----|----------------------|-----|----------------------|------|----------------------|-----|----------------------|-----|
| F87                  | 96  | F127                 | 401 | K37                  | 12   | K67                  | 30  | K97                  | 150 |
| FA87                 | 90  | FA127                | 365 | KF37                 | 15   | KF67                 | 36  | KF97                 | 171 |
| FF87                 | 112 | FF127                | 447 | FA37                 | 11.5 | FA67                 | 37  | FA97                 | 130 |
| FAF87                | 105 | FAF127               | 401 | KAF37                | 15   | KAF67                | 34  | KAF97                | 156 |
| F97                  | 157 | F157                 | 632 | K47                  | 19   | K77                  | 54  | K107                 | 260 |
| FA97                 | 150 | FA157                | 610 | KF47                 | 22.5 | KF77                 | 62  | KF107                | 271 |
| FF97                 | 190 | FF157                | 740 | KA47                 | 18   | KA77                 | 46  | KA107                | 231 |
| FAF97                | 171 | FAF157               | 670 | KAF47                | 21   | KAF77                | 55  | KAF107               | 265 |
| F107                 | 241 |                      |     | K57                  | 24   | K87                  | 90  | K127                 | 410 |
| FA107                | 225 |                      |     | KF57                 | 29   | KF87                 | 100 | KF127                | 452 |
| FF107                | 269 |                      |     | KA57                 | 22   | KA87                 | 78  | KA127                | 381 |
| FAF107               | 245 |                      |     | KAF57                | 28   | KAF87                | 91  | KAF127               | 419 |

减速电机重量 Gear motor weights  
减速机重量 Gear Reducer weights

| Gear reducer weights | Kg   | Gear reducer weights | Kg  | Gear reducer weights | Kg  | Gear reducer weights | Kg  | Motor weights | Kg   |
|----------------------|------|----------------------|-----|----------------------|-----|----------------------|-----|---------------|------|
| K157                 | 635  | S37                  | 6   | S67                  | 25  | S97                  | 140 | DS63S2        | 6.5  |
| KF157                | 715  | SF37                 | 8   | SF67                 | 32  | SF97                 | 171 | DS63M2        | 6.8  |
| KA157                | 603  | SA37                 | 6   | SA67                 | 26  | SA97                 | 135 | DS63L2        | 7.3  |
| KAF157               | 660  | SAF37                | 7.5 | SAF67                | 31  | SAF97                | 160 | DS71M2        | 9.1  |
| K167                 | 1035 | S47                  | 10  | S77                  | 45  |                      |     | DS80S2        | 11.5 |
| KH167                | 1000 | SF47                 | 14  | SF77                 | 55  |                      |     | DS80M2        | 14.3 |
| K187                 | 1615 | SA47                 | 11  | SA77                 | 45  |                      |     | DS90M2        | 18.4 |
| KH187                | 1550 | SAF47                | 13  | SAF77                | 52  |                      |     | DS90L2        | 21.5 |
|                      |      | S57                  | 14  | S87                  | 80  |                      |     | DS100M2       | 26   |
|                      |      | SF57                 | 18  | SF87                 | 101 |                      |     | DS112M2       | 41.5 |
|                      |      | SA57                 | 14  | SA87                 | 76  |                      |     | DS132S2       | 44   |
|                      |      | SAF57                | 17  | SAF87                | 94  |                      |     | DS132M2       | 60   |

| Motor weights | Kg  | Motor weights | Kg   | Motor weights | Kg  | Motor weights | Kg   | Motor weights | Kg  |
|---------------|-----|---------------|------|---------------|-----|---------------|------|---------------|-----|
| DS160S2       | 80  | DS71S4        | 7.8  | DS180S4       | 122 | DS71M6        | 9.1  | DS200L6       | 225 |
| DS160M2       | 106 | DS71M4        | 9.1  | DS180M4       | 141 | DS80S6        | 11.5 | DS225M6       | 280 |
| DS160L2       | 114 | DS80S4        | 11.5 | DS180L4       | 152 | DS80M6        | 14.3 | DS250M6       | 378 |
| DS180M2       | 168 | DS80M4        | 14.2 | DS200L4       | 260 | DS90L6        | 21.3 | DS280S6       | 475 |
| DS200L2       | 236 | DS90M4        | 18.4 | DS225S4       | 295 | DS100M6       | 26   | D280M6        | 541 |
| DS225M2       | 288 | DS90L4        | 21.5 | DS225M4       | 315 | DS100L6       | 41.5 |               |     |
| D250M2        | 382 | DS100M4       | 26   | DS250M4       | 400 | DS112M6       | 41.5 |               |     |
| D280S2        | 494 | DS112M4       | 41.5 | DS280S4       | 515 | DS132S6       | 44   |               |     |
| DS280M2       | 550 | DS132S4       | 44   | DS280M4       | 601 | DS160S6       | 80   |               |     |
| DS63S4        | 6.2 | DS132M4       | 60   | DS63M6        | 6.6 | DS160M6       | 92   |               |     |
| DS63M4        | 6.5 | DS160S4       | 80   | DS63L6        | 7.2 | DS180M6       | 126  |               |     |
| DS63L4        | 7.5 | DS160M4       | 92   | DS71S6        | 7.8 | DS180L6       | 169  |               |     |

注：减速机重量表中重量值为平均各种速比重量的平均值，需要特定速比时精确值及减速机附带其它输入输出模块的重量值，请咨询本公司。

Notes: The weight of reducers in the table is the average weight for each ratio. If you need exact weight for certain ratio or input output modules, please consult our company.

